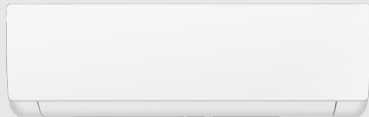





SUBMITTAL DATA

VEN09HPL132IA / VEN09HPL132OA
9000 BTU/H Wall Mounted Heat Pump System

Job Name			
Purchaser	VEN09HPL132IA		
Submitted to			
Unit Designation	VEN09HPL132OA		
Location	Date		
Engineer			
For	YBE1FB1F		
Schedule No.	XE71 (Optional)		

GENERAL FEATURES

- AHRI Certificate:
- New R32 Refrigerant
- High Efficiency DC Inverter Technology
- Compact and Quiet Design
- Wireless Remote with LCD Display
- Wired Controller Options
- A2L Sensors are not included
- Wi-Fi Included
- Low Ambient Cooling down to 0°F (Range 0°F to 118°F)
- Low Ambient Heating down to -13°F (Range -13°F to 75°F)
- Coil (Indoor and Outdoor) Copper Tube / Aluminum Fin
- Blue Colored Fin - 500 Hrs Salt Spray Tested

SPECIFICATIONS, FEATURES & FUNCTION SUMMARY

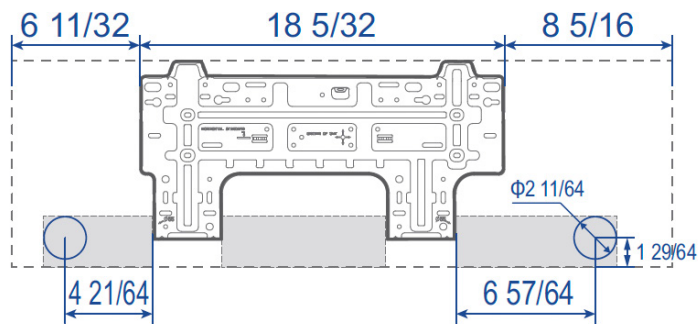
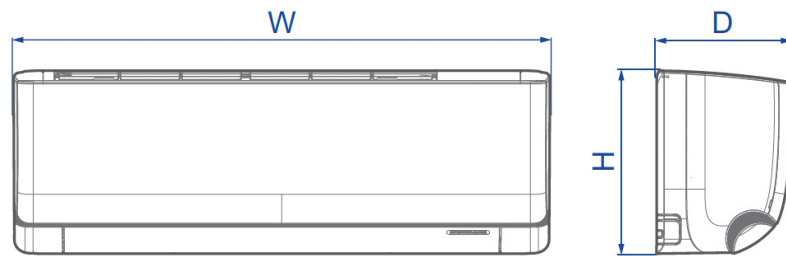
SYSTEM TYPE			HEAT PUMP		FEATURES & FUNCTIONS SUMMARY	
Outdoor Model			VEN09HPL1320A		Inverter Type	
Indoor Model			VEN09HPL1321A		G20	
SYSTEM PERFORMANCE						
Cooling Capacity	Min - Max	Btu/h	2,730 - 11,000			
	Rated Capacity @95°F	Btu/h	9,100			
Heating Capacity	Min - Max	Btu/h	2,390 - 13,000			
	Rated Capacity @47°F	Btu/h	10,000			
	Rated Capacity @17°F	Btu/h	8,000			
	Rated Capacity @5°F	Btu/h	7,000			
SEER2			18.5			
EER2			11.9			
HSPF2			8.6			
COP @5°F			1.80			
Cooling Temperature Range		°F	0 - 118			
Heating Temperature Range		°F	-13 - 75			
Refrigerant Type			R32			
INDOOR UNIT			VEN09HPL1321A			
Air flow (Min - Max)		CFM	165 - 294			
Sound Pressure Level (Min - Max)		dB(A)	23 - 40			
Dehumidification		pt/hr	1.69			
External Dimensions (W x H x D)		in	32-51/64 x 10-15/64 x 7-9/16			
Package Dimension (L x W x H)		in	34-23/32 x 13-5/64 x 10-7/16			
Net Weight		lbs	17.6			
Gross Weight		lbs	20.9			
OUTDOOR UNIT			VEN09HPL1320A			
Compressor Type			G20 / SINGLE CYLINDER / 1 - STAGE INVERTER			
Sound Pressure Level		dB(A)	51			
External Dimensions (W x H x D)		in	28-13/16 x 21-27/32 x 12-63/64			
Package Dimension (L x W x H)		in	31-17/64 x 14-51/64 x 24-7/32			
Net Weight		lbs	55.1			
Gross Weight		lbs	60.6			
REFRIGERANT PIPING						
Refrigerant Charge - R32		oz	17.6			
Additional Charge		oz/ft	0.2			
Line Set Size (Liquid - Gas) - Flared Connections		in	1/4 - 3/8			
Pre-Charge Length		ft	25			
Pipe Length (Min - Max)		ft	10 - 66			
Max. Pipe Elevation		ft	39			
ELECTRICAL						
Power Supply			115V / 1Ph / 60Hz (Powered by the Outdoor Unit)			
Voltage Range (Min - Max)		VAC	103 - 126			
Rated Current - Cooling		A	12.5			
Rated Current - Heating		A	15.4			
MOCP		A	20			
MCA		A	19			
Main Power Wire Size		AWG	Per Local Code			
Interconnecting Wire Size		AWG	14 / 4			
					Outdoor Fin Coating (Color:Blue)	
					Acrylic-Resin/Anti-Corrosive	
					Intelligent Defrosting	
					Yes	
					Force Defrosting	
					Yes	
					Intelligent Preheating	
					Yes	
					Low Voltage Startup	
					Yes	
					Memory/Power Failure Recovery	
					Yes	
					Self Diagnosis	
					Yes	
					Wired Controller Interface	
					Yes	
					WiFi Included	
					Yes	
					Indoor Fan Type	
					Crossflow	
					Multi Fan Speeds	
					7 Speeds	
					Indoor Unit Display	
					Yes	
					Auxiliary Electrical Heater	
					No	
					Ventilation (Outdoor Air)	
					No	
REMOTE CONTROLLER FUNCTIONS						
					Auto Mode	
					Yes	
					Auto Fan	
					Yes	
					Auto Swing (Horizontal Auto Swing)	
					No	
					Auto Swing (Vertical Auto Swing)	
					Yes	
					Clock on Remote Controller	
					Yes	
					Dry Mode	
					Yes	
					Dry Anti-Mildew (X-Fan) Mode	
					Yes	
					Energy Saving Mode	
					Yes	
					Dirty Filter Alert	
					No	
					I Feel Function	
					No	
					Lock on Remote Controller	
					Yes	
					Quiet Mode	
					Yes	
					Room Temperature Display	
					Yes	
					Sleep Mode	
					Yes	
					Timer Mode	
					Yes	
					Turbo Mode	
					Yes	
					Display On/Off Control	
					Yes	
					Freeze Guard Mode (46°F)	
					Yes	

DIMENSIONS

INDOOR UNIT

Unit: inch

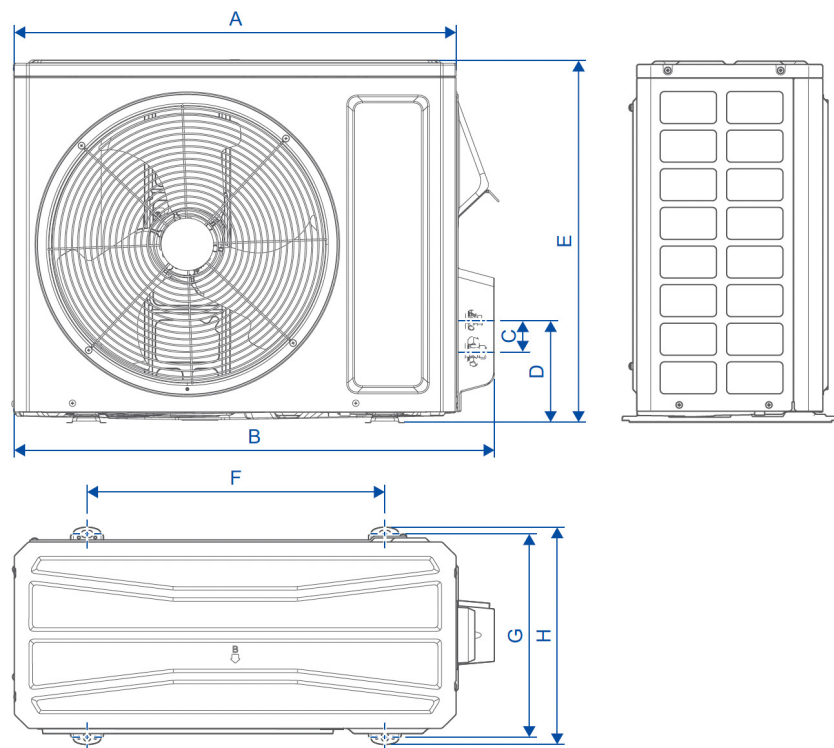
VEN09HPL1321A	
DIMENSIONS	
W	32 51/64
H	10 15/64
D	7 9/16



OUTDOOR UNIT

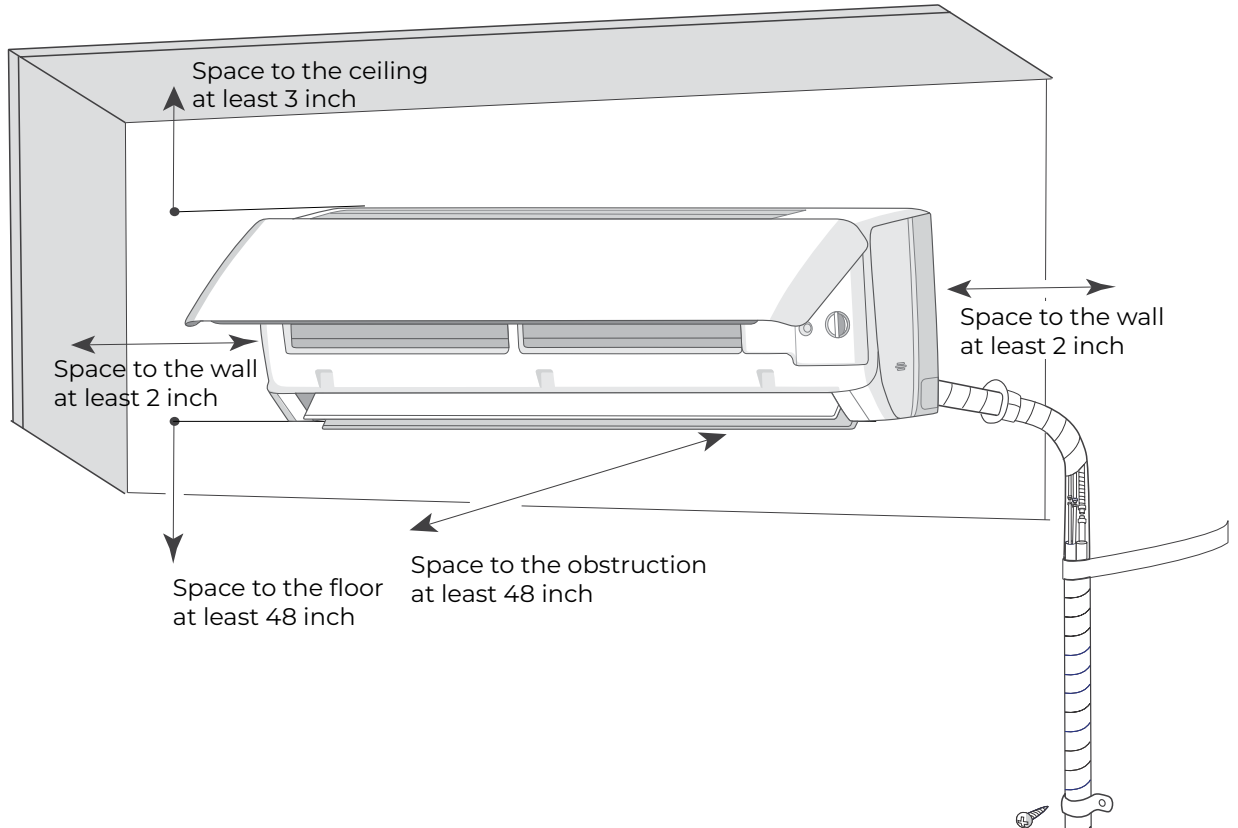
Unit: inch

VEN09HPL1320A	
DIMENSIONS	
A	26 37/64
B	28 13/16
C	2 9/16
D	6 27/64
E	21 27/32
F	17 29/32
G	12 13/64
H	12 63/64



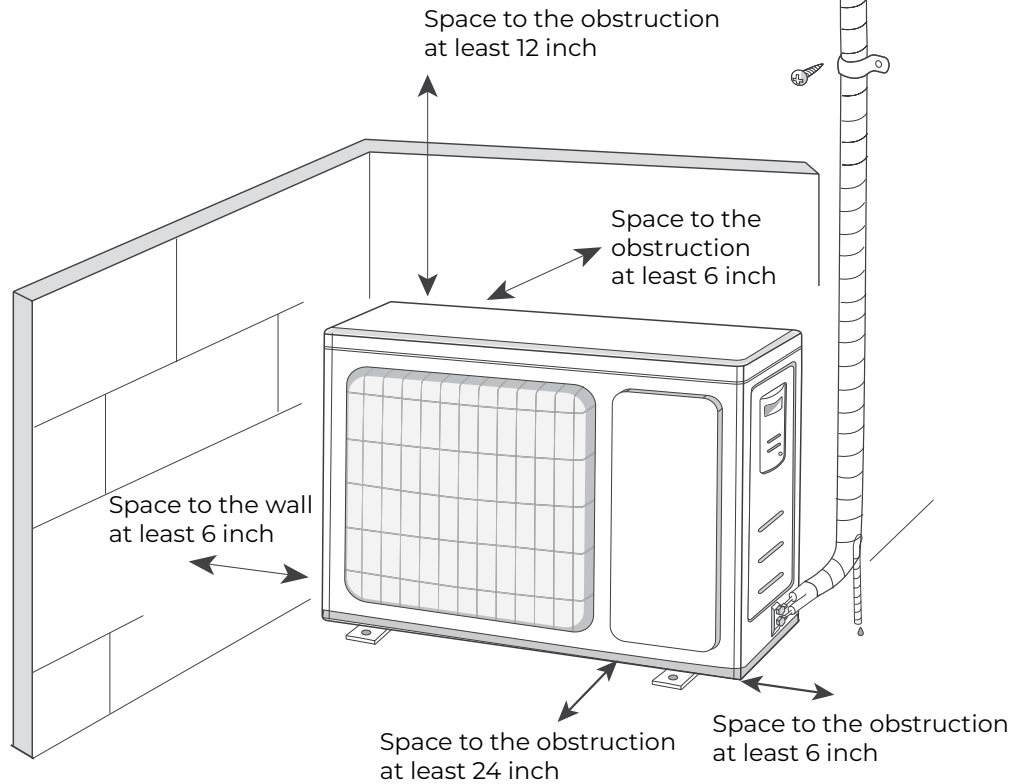
CLEARANCES

INDOOR UNIT Minimum clearance



OUTDOOR UNIT Minimum clearance

NOTE:
If bottom of the unit is free of airflow obstructions similar to the mounting bracket figure, the clearance to the wall on the back can be reduced to 3 inches.



Specifications are subject to change without notice. Manufacturer reserves the right to discontinue or modify specifications or designs without notice or without incurring obligations. All Rights reserved.