

SUBMITTAL DATA

VEN09HPJ1321A / VEN09HPJ1320A
9000 BTU/H Wall Mounted Heat Pump System

Job Name

Purchaser

Submitted to

Unit Designation

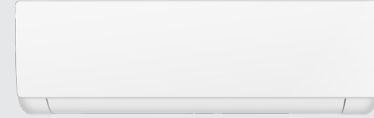
Location

Date

Engineer

For

Schedule No.



VEN09HPJ1321A



VEN09HPJ1320A



YBE1FB1F



XE71 (Optional)

GENERAL FEATURES

- AHRI Certificate:
- New R32 Refrigerant
- High Efficiency DC Inverter Technology
- Compact and Quiet Design
- Wireless Remote with LCD Display
- Wired Controller Options
- A2L Sensors are not included
- Wi-Fi Included
- Low Ambient Cooling down to 0°F (Range 0°F to 118°F)
- Low Ambient Heating down to -13°F (Range -13°F to 75°F)
- Coil (Indoor and Outdoor) Copper Tube / Aluminum Fin
- Blue Colored Fin - 500 Hrs Salt Spray Tested

SPECIFICATIONS, FEATURES & FUNCTION SUMMARY

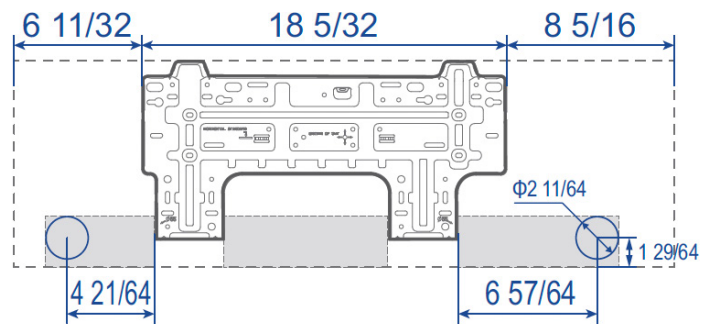
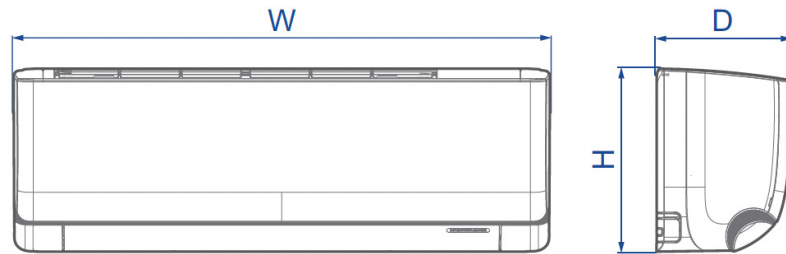
SYSTEM TYPE		HEAT PUMP		FEATURES & FUNCTIONS SUMMARY	
Outdoor Model		VEN09HPJ1320A		Inverter Type	G20
Indoor Model		VEN09HPJ1321A		Ultra Low Frequency Torque Control	Yes
SYSTEM PERFORMANCE					
Cooling Capacity	Min - Max	Btu/h	3,071 - 11,000		
	Rated Capacity @95°F	Btu/h	9,100		
Heating Capacity	Min - Max	Btu/h	2,217 - 12,300		
	Rated Capacity @47°F	Btu/h	10,000		
	Rated Capacity @17°F	Btu/h	8,000		
	Rated Capacity @5°F	Btu/h	7,600		
SEER2		18.8		Outdoor Fin Coating (Color:Blue)	Acrylic-Resin/Anti-Corrosive
EER2		12.3		Intelligent Defrosting	Yes
HSPF2		8.6		Force Defrosting	Yes
COP @5°F		1.85		Intelligent Preheating	Yes
Cooling Temperature Range	°F	0 - 118		Low Voltage Startup	Yes
Heating Temperature Range	°F	-13 - 75		Memory/Power Failure Recovery	Yes
Refrigerant Type		R32		Self Diagnosis	Yes
INDOOR UNIT		VEN09HPJ1321A		Wired Controller Interface	Yes
Air flow (Min - Max)	CFM	165 - 294		WiFi Included	Yes
Sound Pressure Level (Min - Max)	dB(A)	23 - 40		Indoor Fan Type	Crossflow
Dehumidification	pt/hr	1.69		Multi Fan Speeds	7 Speeds
External Dimensions (W x H x D)	in	32-51/64 x 10-15/64 x 7-9/16		Indoor Unit Display	Yes
Package Dimension (L x W x H)	in	34-23/32 x 13-5/64 x 10-7/16		Auxiliary Electrical Heater	No
Net Weight	lbs	17.6		Ventilation (Outdoor Air)	No
Gross Weight	lbs	20.9		REMOTE CONTROLLER FUNCTIONS	
OUTDOOR UNIT		VEN09HPJ1320A		Auto Mode	Yes
Compressor Type		G20 / SINGLE CYLINDER / 1 - STAGE INVERTER		Auto Fan	Yes
Sound Pressure Level	dB(A)	51		Auto Swing (Horizontal Auto Swing)	No
External Dimensions (W x H x D)	in	28-13/16 x 21-27/32 x 12-63/64		Auto Swing (Vertical Auto Swing)	Yes
Package Dimension (L x W x H)	in	31-17/64 x 14-51/64 x 24-7/32		Clock on Remote Controller	Yes
Net Weight	lbs	54.0		Dry Mode	Yes
Gross Weight	lbs	59.5		Dry Anti-Mildew (X-Fan) Mode	Yes
REFRIGERANT PIPING				Energy Saving Mode	Yes
Refrigerant Charge - R32	oz	17.6		Dirty Filter Alert	No
Additional Charge	oz/ft	0.2		I Feel Function	No
Line Set Size (Liquid - Gas) - Flared Connections	in	1/4 - 3/8		Lock on Remote Controller	Yes
Pre-Charge Length	ft	25		Quiet Mode	Yes
Pipe Length (Min - Max)	ft	10 - 66		Room Temperature Display	Yes
Max. Pipe Elevation	ft	49		Sleep Mode	Yes
ELECTRICAL				Timer Mode	Yes
Power Supply		208-230V / 1Ph / 60Hz (Powered by the Outdoor Unit)		Turbo Mode	Yes
Voltage Range (Min - Max)	VAC	187 - 253		Display On/Off Control	Yes
Rated Current - Cooling	A	7		Freeze Guard Mode (46°F)	Yes
Rated Current - Heating	A	8			
MOCP	A	15			
MCA	A	12			
Main Power Wire Size	AWG	Per Local Code			
Interconnecting Wire Size	AWG	14 / 4			

DIMENSIONS

INDOOR UNIT

Unit: inch

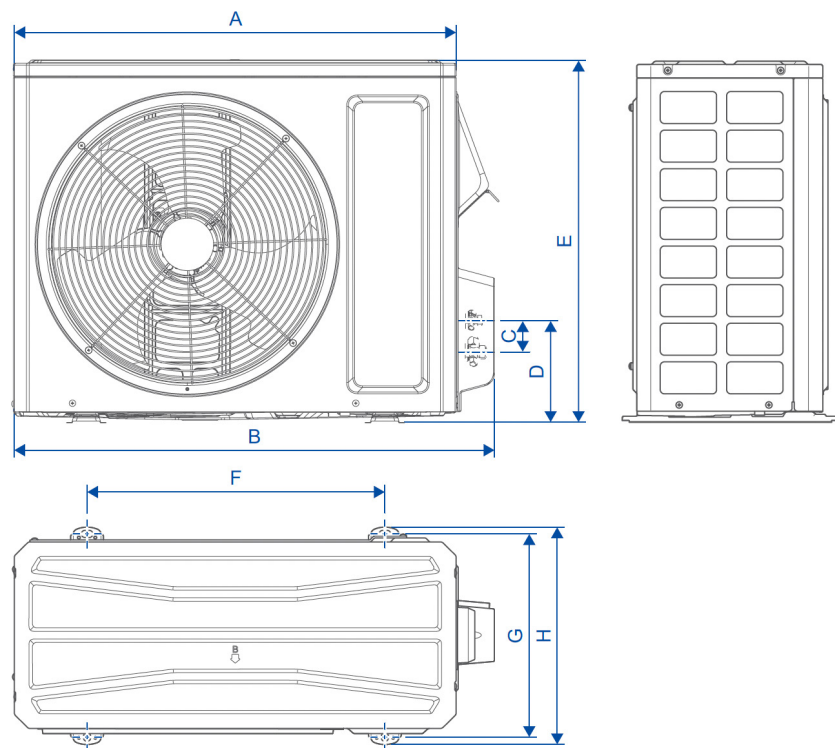
VEN09HPJ1321A	
DIMENSIONS	
W	32 51/64
H	10 15/64
D	7 9/16



OUTDOOR UNIT

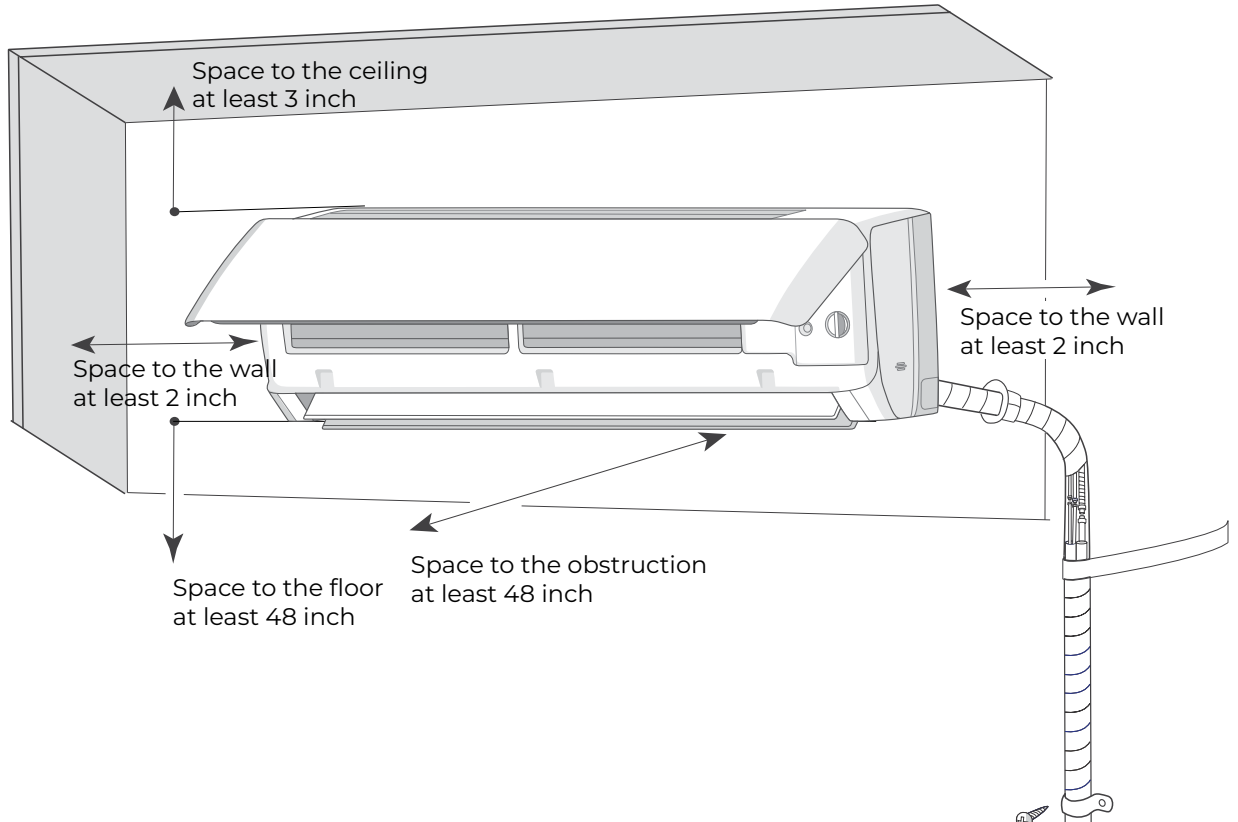
Unit: inch

VEN09HPJ1320A	
DIMENSIONS	
A	26 37/64
B	28 13/16
C	2 9/16
D	6 27/64
E	21 27/32
F	17 29/32
G	12 13/64
H	12 63/64



CLEARANCES

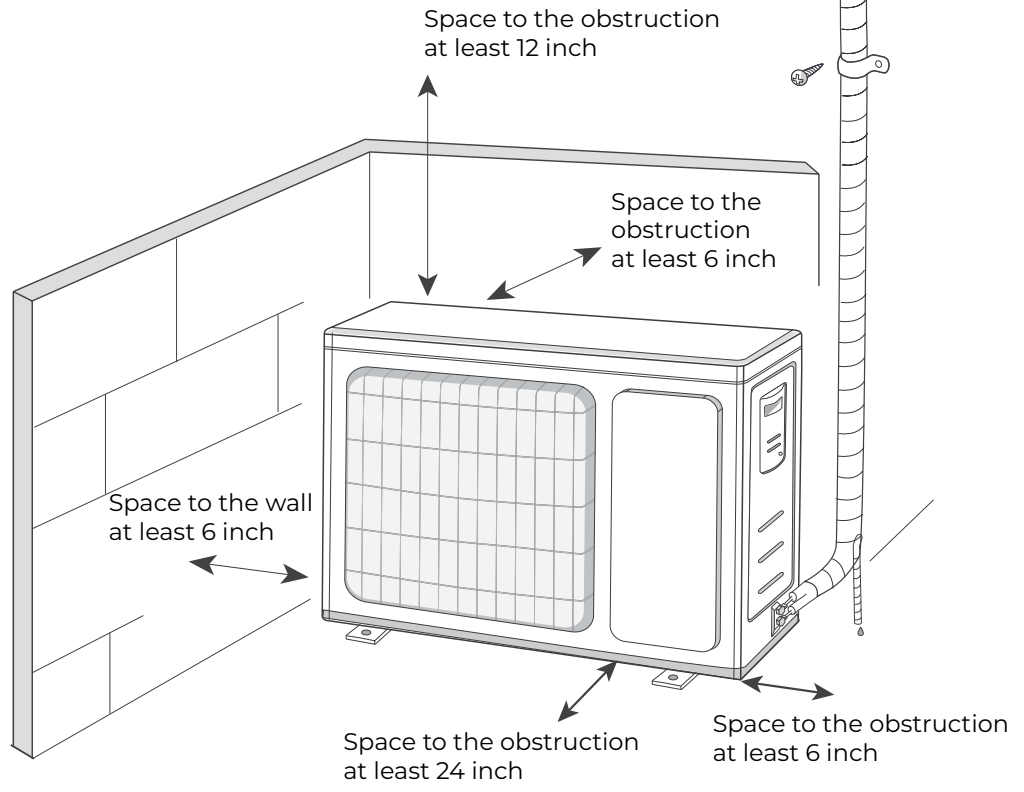
INDOOR UNIT Minimum clearance



OUTDOOR UNIT Minimum clearance

A diagram showing a mounting bracket for an outdoor unit. A 3-inch clearance is indicated between the bottom of the unit and the bracket.

NOTE:
If bottom of the unit is free of airflow obstructions similar to the mounting bracket figure, the clearance to the wall on the back can be reduced to 3 inches.



Specifications are subject to change without notice. Manufacturer reserves the right to discontinue or modify specifications or designs without notice or without incurring obligations. All Rights reserved.