

## SUBMITTAL DATA

NOV24HPJ1321A / NOV24HPJ1320A  
24000 BTU/H Wall Mounted Heat Pump System

Job Name

Purchaser

Submitted to

Unit Designation

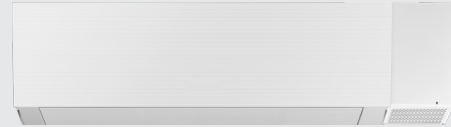
Location

Date

Engineer

For

Schedule No.



NOV24HPJ1321A



NOV24HPJ1320A



YBE1FB1F



XE71 (Optional)

## GENERAL FEATURES

- AHRI Certificate:
- High Efficiency DC Inverter Technology
- Compact and Quiet Design
- Auto-Clean Function on Indoor Unit
- Swing Louver Control
- Self-diagnosis
- New R32 Refrigerant
- Wi-Fi Included (Factory Installed)
- Wireless Remote with LCD Display
- Wired Controller Options
- Low Ambient Cooling down to -20°F (Range -20°F to 122°F)
- Low Ambient Heating down to -22°F (Range -22°F to 86°F)
- Coil (Indoor and Outdoor) Copper Tube / Aluminum Fin
- Blue Colored Fin - 500 Hrs Salt Spray Tested
- Fresh Air Kit - NOVERV is offered as an accessory, needs to be ordered separately.

# SPECIFICATIONS, FEATURES & FUNCTION SUMMARY

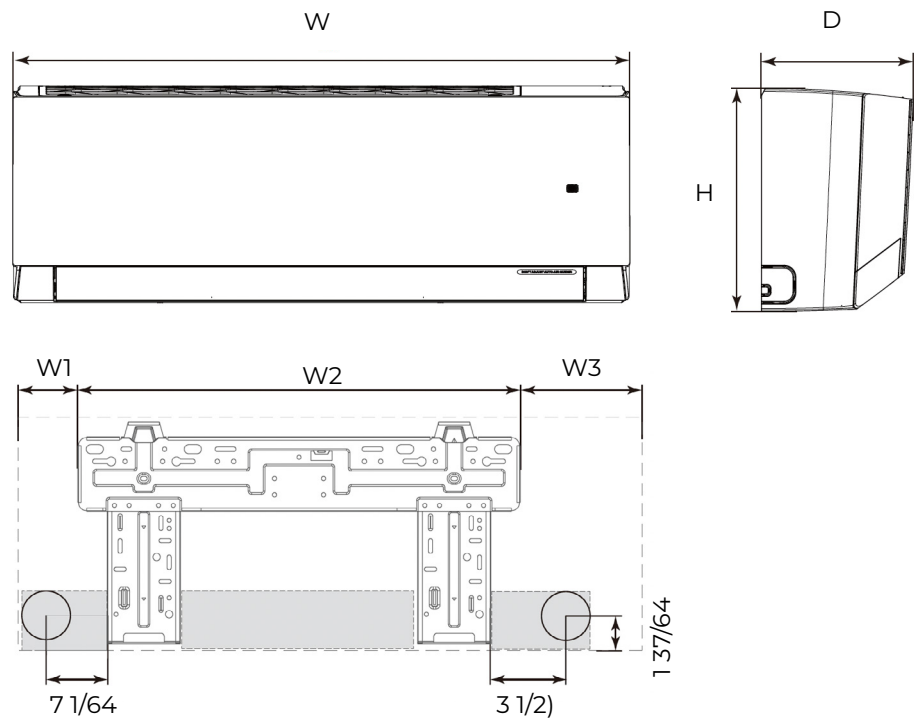
SYSTEM TYPE			HEAT PUMP		FEATURES & FUNCTIONS SUMMARY	
Outdoor Model			NOV24HPJ1320A		Inverter Type	G20
Indoor Model			NOV24HPJ1321A		Ultra Low Frequency Torque Control	Yes
SYSTEM PERFORMANCE						
Cooling Capacity	Min - Max	Btu/h	3,990 - 28,000			
	Rated Capacity @95°F	Btu/h	22,000			
Heating Capacity	Min - Max	Btu/h	2,900 - 27,640			
	Rated Capacity @47°F	Btu/h	24,000			
	Rated Capacity @17°F	Btu/h	20,000			
	Rated Capacity @5°F	Btu/h	22,000			
SEER2			24.0			
EER2			13.1			
HSPF2			9.0			
COP @5°F			1.75			
Cooling Temperature Range		°F	-20 - 122			
Heating Temperature Range		°F	-22 - 86			
Refrigerant Type			R32			
INDOOR UNIT			NOV24HPJ1321A			
Air flow (Min - Max)		CFM	235 - 559			
Sound Pressure Level (Min - Max)		dB(A)	30 - 48			
Dehumidification		pt/hr	5.07			
External Dimensions (W x H x D)		in	39 3/32 x 12 1/4 x 8 47/64			
Package Dimension (W x H x D)		in	41 17/32 x 15 5/32 x 11 47/64			
Net Weight		lbs	29.8			
Gross Weight		lbs	35.3			
OUTDOOR UNIT			NOV24HPJ1320A			
Compressor Type			G20 / SINGLE CYLINDER / 1 - STAGE INVERTER			
Sound Pressure Level		dB(A)	61			
External Dimensions (W x H x D)		in	39 3/8 x 29 3/8 x 16 13/16			
Package Dimension (W x H x D)		in	42 33/64 x 31 57/64 x 19 1/64			
Net Weight		lbs	103.6			
Gross Weight		lbs	114.7			
REFRIGERANT PIPING						
Refrigerant Charge - R32		oz	49.4			
Additional Charge		oz/ft	0.4			
Line Set Size (Liquid - Gas) - Flared Connections		in	1/4 - 5/8			
Pre-Charge Length		ft	25			
Pipe Length (Min - Max)		ft	10 - 131			
Max. Pipe Elevation		ft	82			
ELECTRICAL						
Power Supply			208-230V / 1Ph / 60Hz (Powered by the Outdoor Unit)			
Voltage Range (Min - Max)		VAC	187 - 253			
Rated Current - Cooling		A	13.5			
Rated Current - Heating		A	17.2			
MOCP		A	30			
MCA		A	22			
Main Power Wire Size		AWG	Per Local Code			
Interconnecting Wire Size		AWG	14 / 4			
Inverter Type					G20	
Ultra Low Frequency Torque Control					Yes	
Power Factor Correction					Yes	
Basepan With Electric Heater					Yes	
Indoor & Outdoor Fin Coating (Blue Fin)					Yes	
Intelligent Defrosting					Yes	
Intelligent Preheating					Yes	
Low Voltage Startup					Yes	
Memory/Power Failure Recovery					Yes	
Self Diagnosis					Yes	
Wired Controller Interface					Yes	
WiFi Included					Yes	
NEW! Easy Service Access					Yes	
Indoor Fan Type					Crossflow	
Multi Fan Speeds					7 Speeds	
Indoor Unit Display					Yes	
Auxiliary Electrical Heater					No	
Ventilation (Outdoor Air)					Yes	
A2L Leak Detection Sensor (Indoor)					Factory Installed	
REMOTE CONTROLLER FUNCTIONS						
Humidity Control					Yes	
Two-way Ventilation					Yes	
Auto Clean					Yes	
Auto Mode					Yes	
Auto Fan					Yes	
Auto Swing (Horizontal Auto Swing)					Yes	
Auto Swing - 180° (Vertical Auto Swing)					Yes	
Clock					Yes	
Dry Mode					Yes	
Dry Anti-Mildew (X-Fan) Mode					Yes	
Energy Saving Mode					Yes	
Dirty Filter Alert					Yes	
Fan Speed Control (7 Speeds)					Yes	
I Feel Function					Yes	
Child Lock					Yes	
Quiet Mode					Yes	
Room Temperature Display					Yes	
Sleep Mode					Yes	
Turbo Mode					Yes	
3 Sleep Mode Options					Yes	
Timer Mode					Yes	
Turbo Mode					Yes	
Display On/Off Control					Yes	
Freeze Guard Mode					Yes	
Power Failure Mode					Yes	

## DIMENSIONS

### INDOOR UNIT

Unit: inch

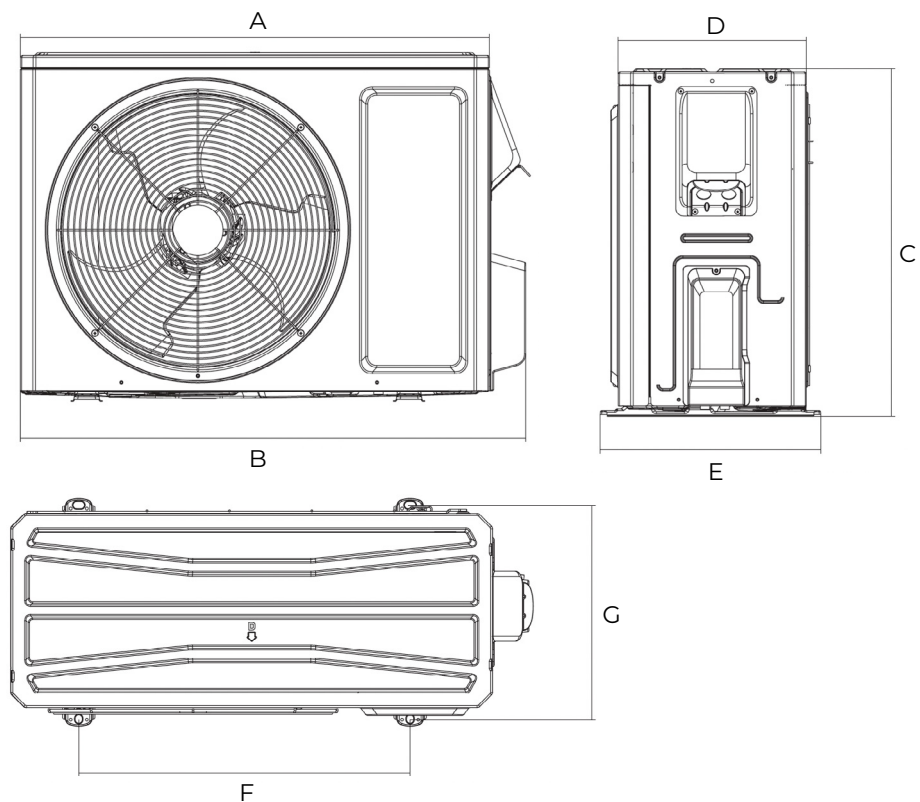
NOV24HPJ1321A	
DIMENSIONS	
W	39 3/32
H	12 1/4
D	8 47/64
W1	5 3/64
W2	27 55/64
W3	6 13/64



### OUTDOOR UNIT

Unit: inch

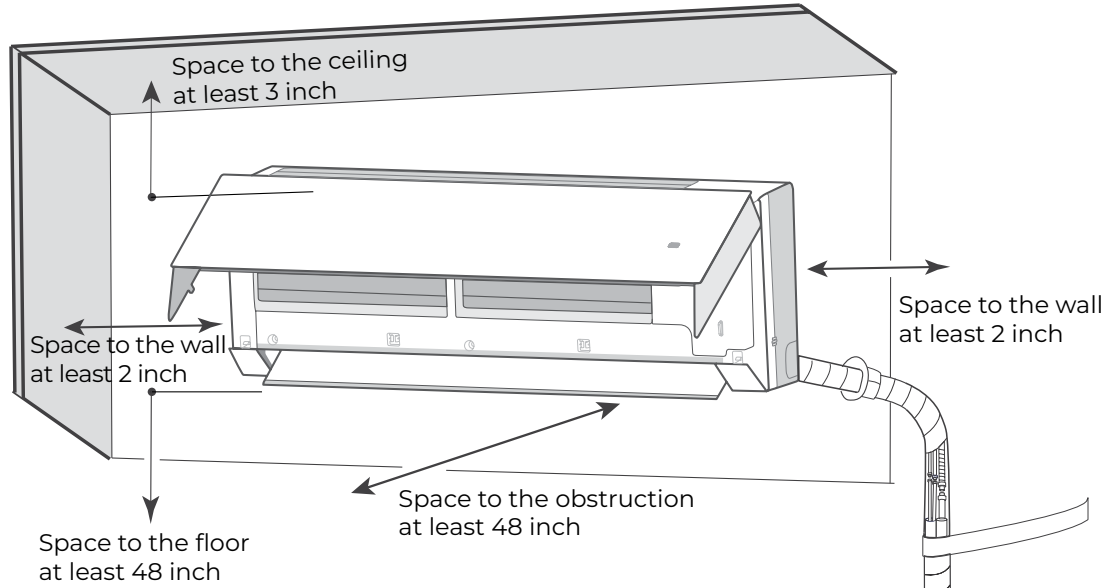
NOV24HPJ1320A	
DIMENSIONS	
A	36 11/32
B	39 3/8
C	29 3/8
D	14 17/32
E	16 13/16
F	24 1/64
G	15 35/64



# CLEARANCES

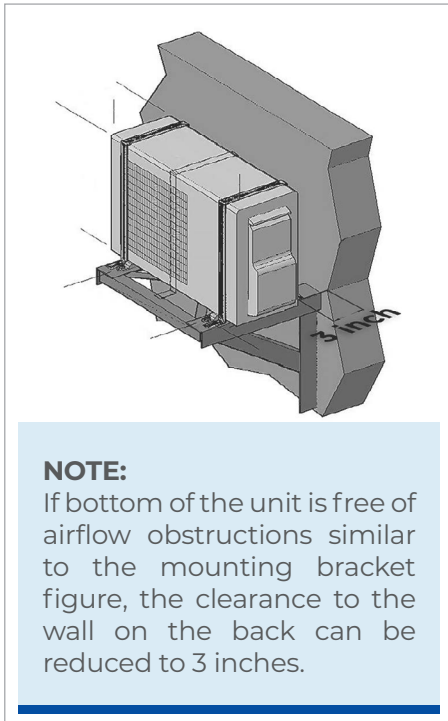
## INDOOR UNIT

Minimum clearance



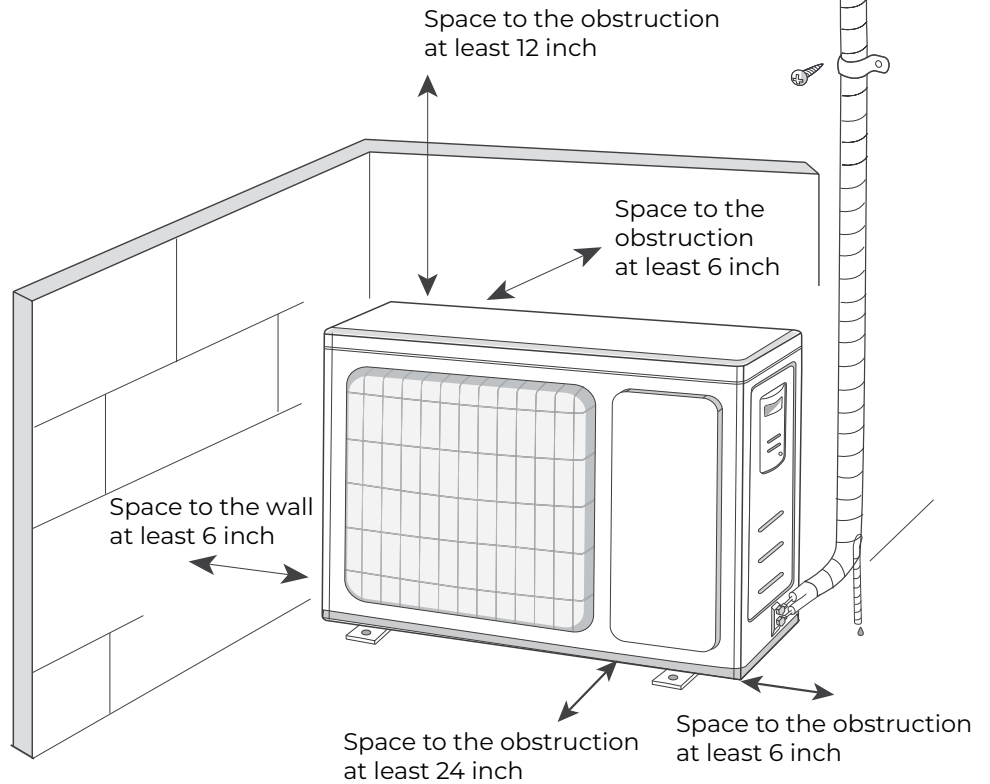
## OUTDOOR UNIT

Minimum clearance



**NOTE:**

If bottom of the unit is free of airflow obstructions similar to the mounting bracket figure, the clearance to the wall on the back can be reduced to 3 inches.



Specifications are subject to change without notice. Manufacturer reserves the right to discontinue or modify specifications or designs without notice or without incurring obligations. All Rights reserved.