

SUBMITTAL DATA

NOV12HPL1321A / NOV12HPL1320A
12000 BTU/H Wall Mounted Heat Pump System

Job Name

Purchaser

Submitted to

Unit Designation

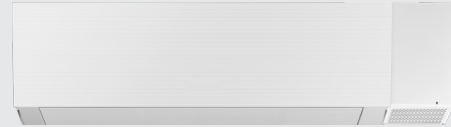
Location

Date

Engineer

For

Schedule No.



NOV12HPL1321A



NOV12HPL1320A



YBE1FB1F



XE71 (Optional)

GENERAL FEATURES

- AHRI Certificate:
- High Efficiency DC Inverter Technology
- Compact and Quiet Design
- Auto-Clean Function on Indoor Unit
- Swing Louver Control
- Self-diagnosis
- New R32 Refrigerant
- Wi-Fi Included (Factory Installed)
- Wireless Remote with LCD Display
- Wired Controller Options
- Low Ambient Cooling down to -20°F (Range -20°F to 122°F)
- Low Ambient Heating down to -22°F (Range -22°F to 86°F)
- Coil (Indoor and Outdoor) Copper Tube / Aluminum Fin
- Blue Colored Fin - 500 Hrs Salt Spray Tested
- Fresh Air Kit - NOVERV is offered as an accessory, needs to be ordered separately.

SPECIFICATIONS, FEATURES & FUNCTION SUMMARY

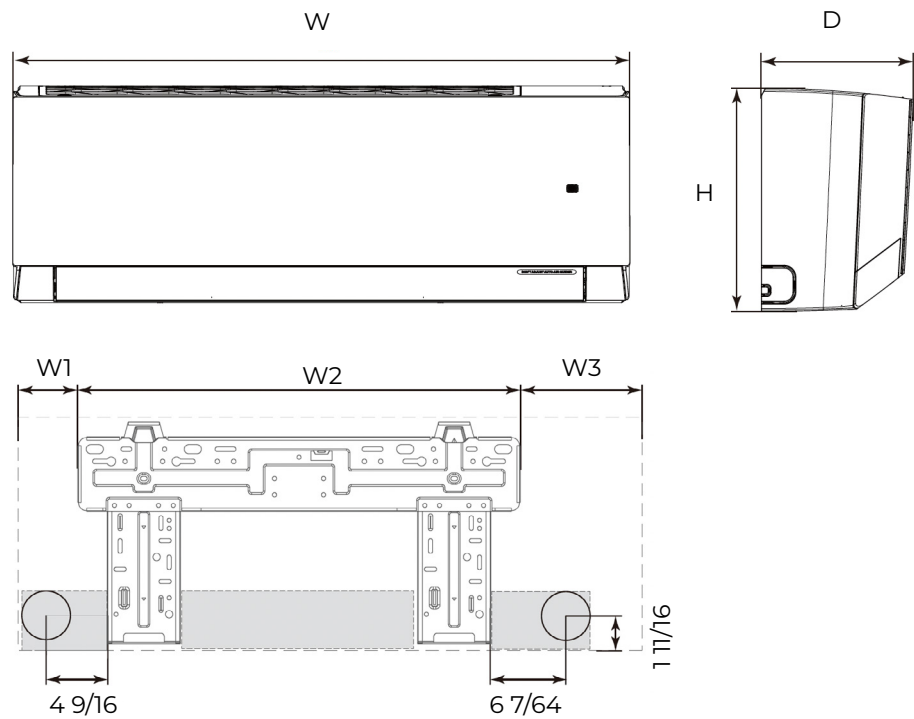
SYSTEM TYPE			HEAT PUMP		FEATURES & FUNCTIONS SUMMARY	
Outdoor Model			NOV12HPL1320A		Inverter Type	
Indoor Model			NOV12HPL1321A		Ultra Low Frequency Torque Control	
SYSTEM PERFORMANCE					Power Factor Correction	
Cooling Capacity	Min - Max	Btu/h	2,729.6 - 15,012.8		Basepan With Electric Heater	
	Rated Capacity @95°F	Btu/h	12,000		Indoor & Outdoor Fin Coating (Blue Fin)	
Heating Capacity	Min - Max	Btu/h	3,070.8 - 15,695.2		Intelligent Defrosting	
	Rated Capacity @47°F	Btu/h	12,000		Intelligent Preheating	
	Rated Capacity @17°F	Btu/h	10,000		Low Voltage Startup	
	Rated Capacity @5°F	Btu/h	9,500		Memory/Power Failure Recovery	
SEER2			24.5		Self Diagnosis	
EER2			13.0		Wired Controller Interface	
HSPF2			9.5		WiFi Included	
COP @5°F			1.95		NEW! Easy Service Access	
Cooling Temperature Range		°F	-20 - 122		Indoor Fan Type	
Heating Temperature Range		°F	-22 - 86		Multi Fan Speeds	
Refrigerant Type			R32		Indoor Unit Display	
INDOOR UNIT			NOV12HPL1321A		Auxiliary Electrical Heater	
Air flow (Min - Max)		CFM	212 - 400		Ventilation (Outdoor Air)	
Sound Pressure Level (Min - Max)		dB(A)	20 - 43		A2L Leak Detection Sensor (Indoor)	
Dehumidification		pt/hr	2.96		Factory Installed	
External Dimensions (W x H x D)		in	32 61/64 x 11 17/32 x 7 7/8		REMOTE CONTROLLER FUNCTIONS	
Package Dimension (W x H x D)		in	35 18/64 x 14 44/64 x 10 45/64		Humidity Control	
Net Weight		lbs	20.9		Two-way Ventilation	
Gross Weight		lbs	25.4		Auto Clean	
OUTDOOR UNIT			NOV12HPL1320A		Auto Mode	
Compressor Type			G20 / SINGLE CYLINDER / 1 - STAGE INVERTER		Auto Fan	
Sound Pressure Level		dB(A)	52		Auto Swing (Horizontal Auto Swing)	
External Dimensions (W x H x D)		in	31-37/64 x 21-27/32 x 13-25/32		Auto Swing - 180° (Vertical Auto Swing)	
Package Dimension (W x H x D)		in	34-21/64 x 24-13/32 x 15-43/64		Clock	
Net Weight		lbs	69.5		Dry Mode	
Gross Weight		lbs	75.0		Dry Anti-Mildew (X-Fan) Mode	
REFRIGERANT PIPING					Energy Saving Mode	
Refrigerant Charge - R32		oz	28.2		Dirty Filter Alert	
Additional Charge		oz/ft	0.2		Fan Speed Control (7 Speeds)	
Line Set Size (Liquid - Gas) - Flared Connections		in	1/4 - 1/2		I Feel Function	
Pre-Charge Length		ft	25		Child Lock	
Pipe Length (Min - Max)		ft	10 - 66		Quiet Mode	
Max. Pipe Elevation		ft	40		Room Temperature Display	
ELECTRICAL					Sleep Mode	
Power Supply			208-230V / 1Ph / 60Hz (Powered by the Outdoor Unit)		Turbo Mode	
Voltage Range (Min - Max)		VAC	103 - 126		3 Sleep Mode Options	
Rated Current - Cooling		A	15.38		Timer Mode	
Rated Current - Heating		A	15.41		Turbo Mode	
MOCP		A	20		Display On/Off Control	
MCA		A	19		Freeze Guard Mode	
Main Power Wire Size		AWG	Per Local Code		Power Failure Mode	
Interconnecting Wire Size		AWG	14 / 4			

DIMENSIONS

INDOOR UNIT

Unit: inch

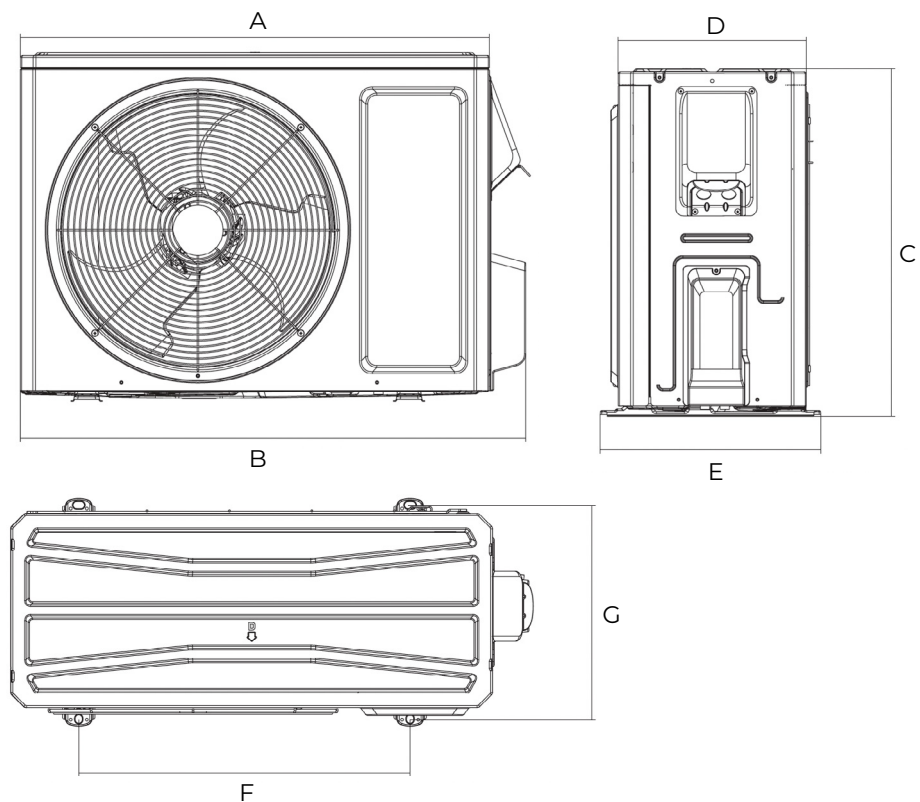
NOV12HPL1321A	
DIMENSIONS	
W	32 61/64
H	11 17/32
D	7 7/8
W1	4 11/16
W2	21 11/32
W3	6 59/64



OUTDOOR UNIT

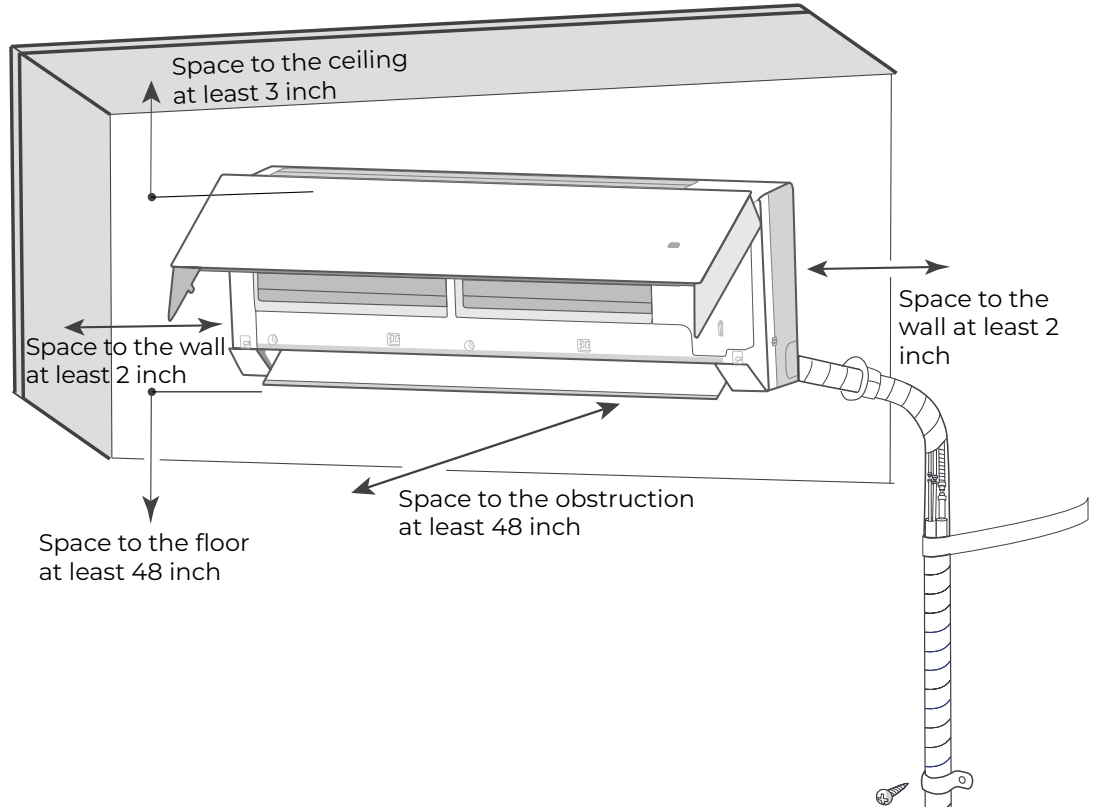
Unit: inch

NOV12HPL1320A	
DIMENSIONS	
A	29 21/64
B	31 37/64
C	21 27/32
D	11 13/16
E	13 25/32
F	20 5/32
G	13 5/64



CLEARANCES

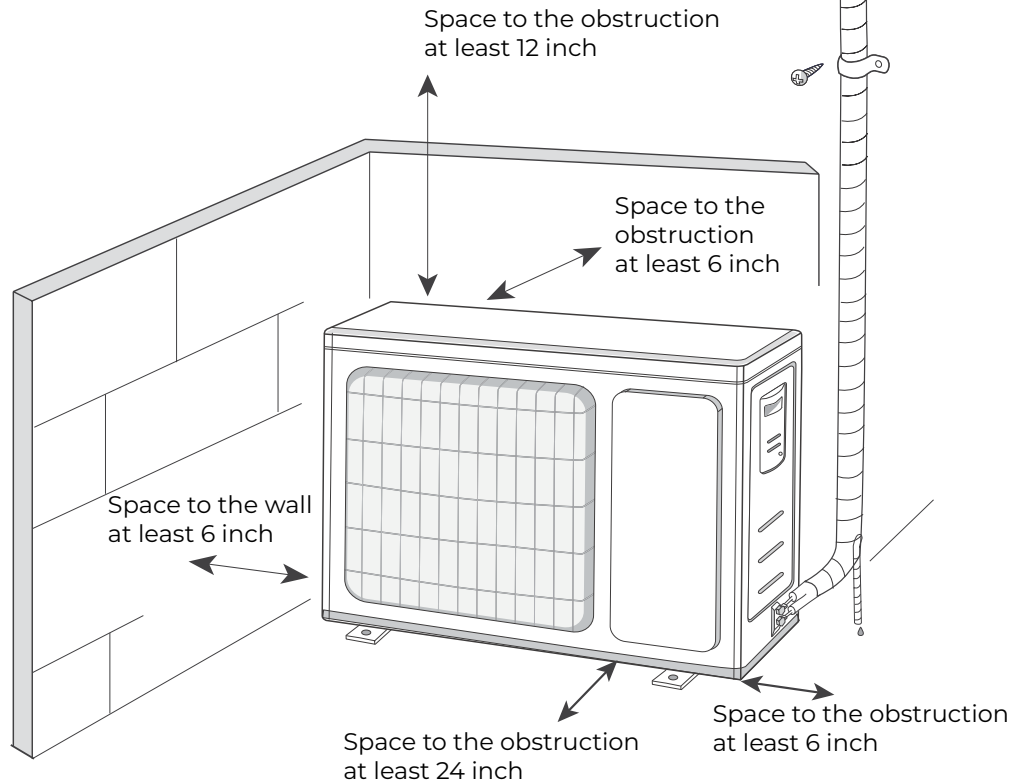
INDOOR UNIT Minimum clearance



OUTDOOR UNIT Minimum clearance

A 3D perspective diagram of a mounting bracket for an outdoor unit. A dimension line indicates a clearance of 3 inches from the back of the unit to the wall.

NOTE:
If bottom of the unit is free of airflow obstructions similar to the mounting bracket figure, the clearance to the wall on the back can be reduced to 3 inches.



Specifications are subject to change without notice. Manufacturer reserves the right to discontinue or modify specifications or designs without notice or without incurring obligations. All Rights reserved.