

## SUBMITTAL DATA

NOV09HPL132IA / NOV09HPL132OA  
9000 BTU/H Wall Mounted Heat Pump System

Job Name

Purchaser

Submitted to

Unit Designation

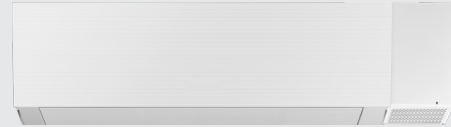
Location

Date

Engineer

For

Schedule No.



NOV09HPL132IA



NOV09HPL132OA



YBE1FB1F



XE71 (Optional)

## GENERAL FEATURES

- AHRI Certificate:
- High Efficiency DC Inverter Technology
- Compact and Quiet Design
- Auto-Clean Function on Indoor Unit
- Swing Louver Control
- Self-diagnosis
- New R32 Refrigerant
- Wi-Fi Included (Factory Installed)
- Wireless Remote with LCD Display
- Wired Controller Options
- Low Ambient Cooling down to -20°F (Range -20°F to 122°F)
- Low Ambient Heating down to -22°F (Range -22°F to 86°F)
- Coil (Indoor and Outdoor) Copper Tube / Aluminum Fin
- Blue Colored Fin - 500 Hrs Salt Spray Tested
- Fresh Air Kit - NOVERV is offered as an accessory, needs to be ordered separately.

# SPECIFICATIONS, FEATURES & FUNCTION SUMMARY

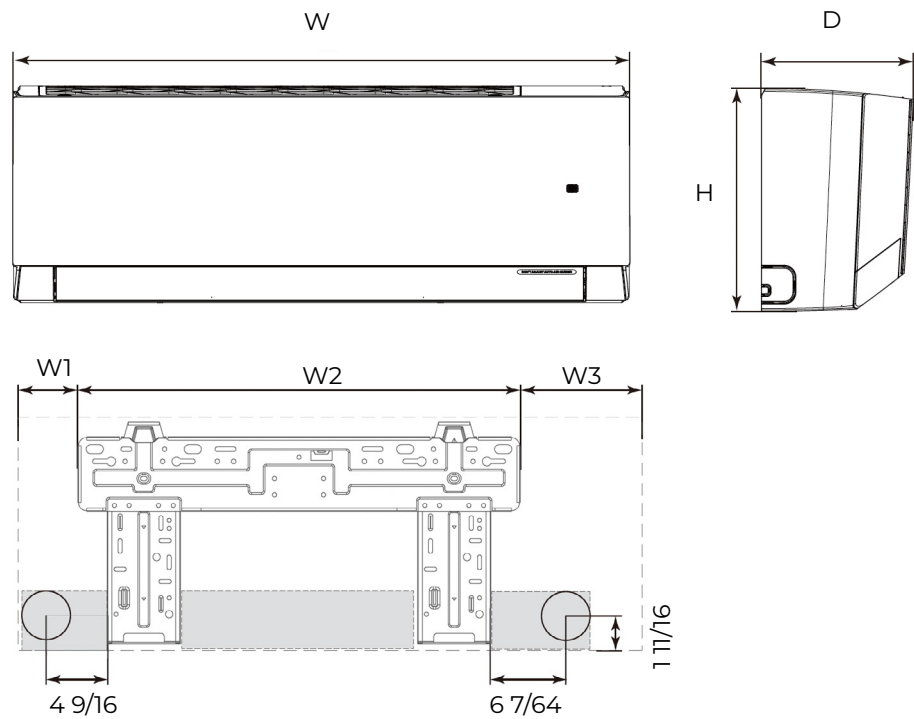
SYSTEM TYPE			HEAT PUMP		FEATURES & FUNCTIONS SUMMARY	
Outdoor Model			NOV09HPLI320A		Inverter Type	
Indoor Model			NOV09HPLI321A		Ultra Low Frequency Torque Control	
SYSTEM PERFORMANCE						
Cooling Capacity	Min - Max	Btu/h	2,730 - 12,966		Power Factor Correction	
	Rated Capacity @95°F	Btu/h	9,100		Basepan With Electric Heater	
Heating Capacity	Min - Max	Btu/h	2,388 - 15,013		Indoor & Outdoor Fin Coating (Blue Fin)	
	Rated Capacity @47°F	Btu/h	10,000		Intelligent Defrosting	
	Rated Capacity @17°F	Btu/h	10,500		Intelligent Preheating	
	Rated Capacity @5°F	Btu/h	9,200		Low Voltage Startup	
SEER2			27.0		Memory/Power Failure Recovery	
EER2			15.0		Self Diagnosis	
HSPF2			10.5		Wired Controller Interface	
COP @5°F			1.90		WiFi Included	
Cooling Temperature Range		°F	-20 - 122		NEW! Easy Service Access	
Heating Temperature Range		°F	-22 - 86		Indoor Fan Type	
Refrigerant Type			R32		Multi Fan Speeds	
INDOOR UNIT			NOV09HPLI321A		Indoor Unit Display	
Air flow (Min - Max)		CFM	129 - 353		Auxiliary Electrical Heater	
Sound Pressure Level (Min - Max)		dB(A)	20 - 41		Ventilation (Outdoor Air)	
Dehumidification		pt/hr	1.69		A2L Leak Detection Sensor (Indoor)	
External Dimensions (W x H x D)		in	32 61/64 x 11 17/32 x 7 7/8		Factory Installed	
Package Dimension (W x H x D)		in	35 9/32 x 14 11/16 x 10 45/64		REMOTE CONTROLLER FUNCTIONS	
Net Weight		lbs	20.9		Humidity Control	
Gross Weight		lbs	25.4		Two-way Ventilation	
OUTDOOR UNIT			NOV09HPLI320A		Auto Clean	
Compressor Type			G20 / SINGLE CYLINDER / 1 - STAGE INVERTER		Auto Mode	
Sound Pressure Level		dB(A)	52		Auto Fan	
External Dimensions (W x H x D)		in	31 37/64 x 21 27/32 x 13 25/32		Auto Swing (Horizontal Auto Swing)	
Package Dimension (W x H x D)		in	34 21/64 x 24 13/32 x 15 43/64		Auto Swing - 180° (Vertical Auto Swing)	
Net Weight		lbs	70.6		Clock	
Gross Weight		lbs	76.1		Dry Mode	
REFRIGERANT PIPING						
Refrigerant Charge - R32		oz	30		Dry Anti-Mildew (X-Fan) Mode	
Additional Charge		oz/ft	0.2		Energy Saving Mode	
Line Set Size (Liquid - Gas) - Flared Connections		in	1/4 - 3/8		Dirty Filter Alert	
Pre-Charge Length		ft	25		Fan Speed Control (7 Speeds)	
Pipe Length (Min - Max)		ft	10 - 66		I Feel Function	
Max. Pipe Elevation		ft	40		Child Lock	
ELECTRICAL						
Power Supply			115V / 1Ph / 60Hz (Powered by the Outdoor Unit)		Quiet Mode	
Voltage Range (Min - Max)		VAC	103 - 126		Room Temperature Display	
Rated Current - Cooling		A	12.28		Sleep Mode	
Rated Current - Heating		A	16.59		Turbo Mode	
MOCP		A	20		3 Sleep Mode Options	
MCA		A	19		Timer Mode	
Main Power Wire Size		AWG	Per Local Code		Turbo Mode	
Interconnecting Wire Size		AWG	14 / 4		Display On/Off Control	
					Freeze Guard Mode	
					Power Failure Mode	

## DIMENSIONS

### INDOOR UNIT

Unit: inch

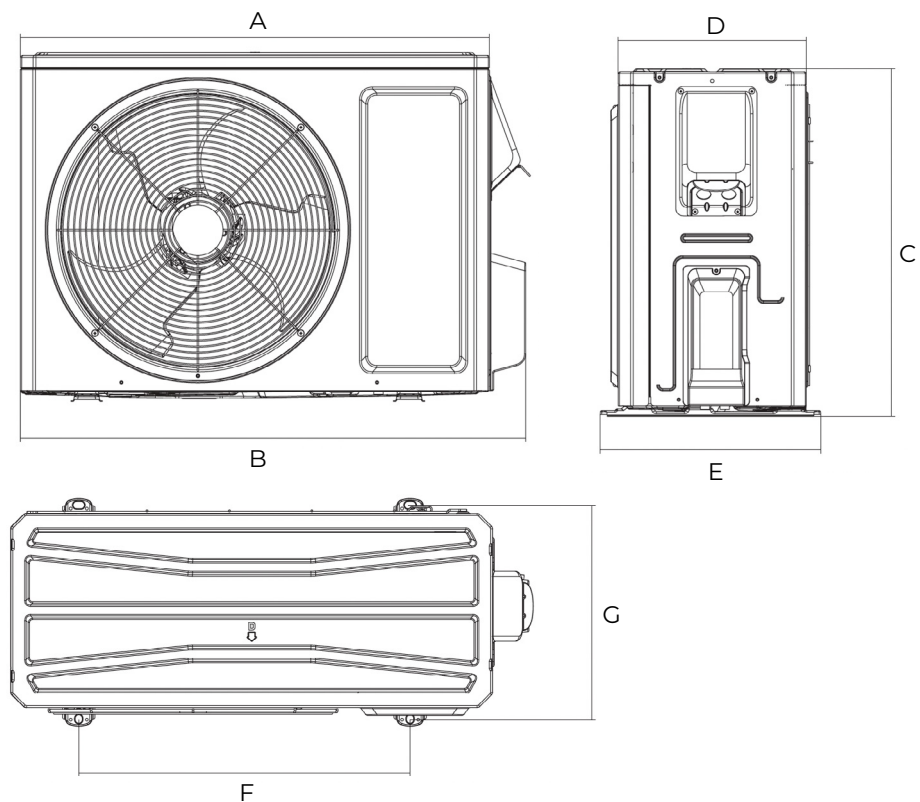
NOV09HPL1321A	
DIMENSIONS	
W	32 61/64
H	11 17/32
D	7 7/8
W1	4 11/16
W2	21 11/32
W3	6 59/64



### OUTDOOR UNIT

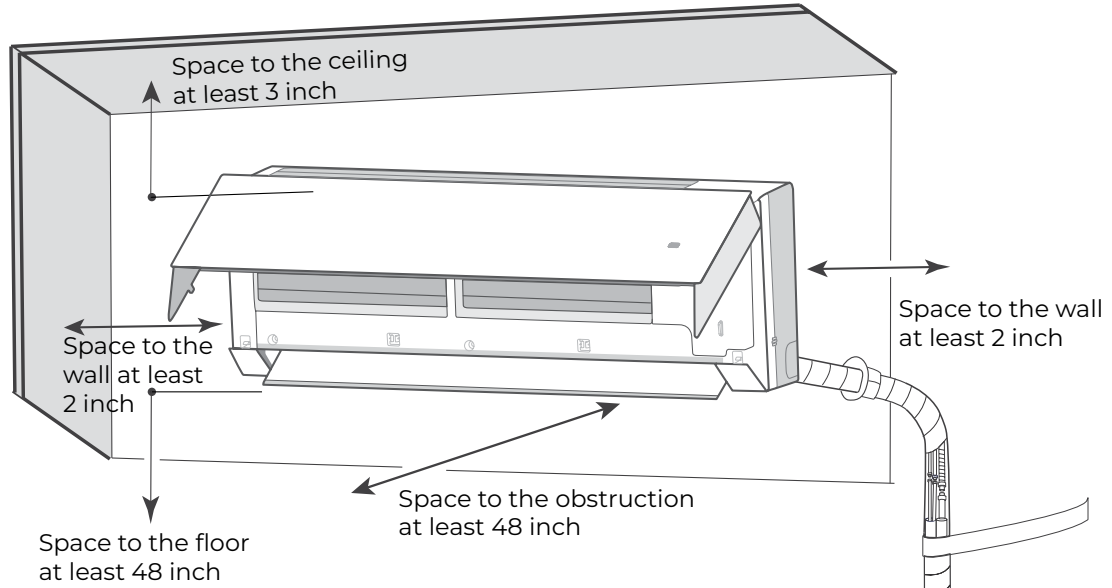
Unit: inch

NOV09HPL1320A	
DIMENSIONS	
A	29 21/64
B	31 37/64
C	21 27/32
D	11 13/16
E	13 25/32
F	20 5/32
G	13 5/64

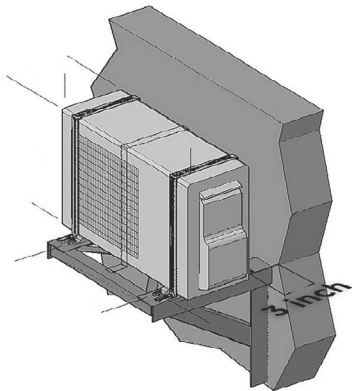


# CLEARANCES

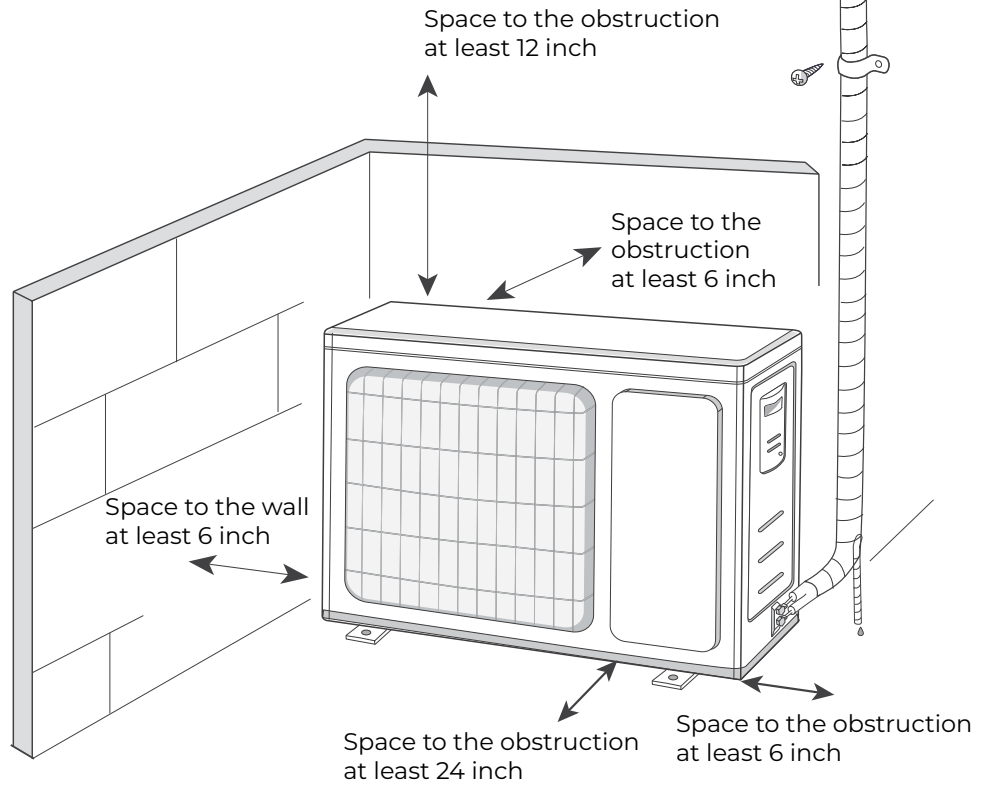
## INDOOR UNIT Minimum clearance



## OUTDOOR UNIT Minimum clearance



**NOTE:**  
If bottom of the unit is free of airflow obstructions similar to the mounting bracket figure, the clearance to the wall on the back can be reduced to 3 inches.



Specifications are subject to change without notice. Manufacturer reserves the right to discontinue or modify specifications or designs without notice or without incurring obligations. All Rights reserved.