

SUBMITTAL DATA

EMUL42HPJ1320A
42000 BTU/H Multi Zone Heat Pump System

Job Name

Purchaser

Submitted to

Unit Designation

Location

Date

Engineer

For

Schedule No.



GENERAL FEATURES

- AHRI Certificate: [218394251](#) (Non-Ducted) • Auto Restart on Power Outages
- [218394255](#) (Ducted) • Multi-point Diagnostics
- (Mixed) • Cooling down to 5°F (Range 5°F to 118°F)
- High Efficiency DC Inverter Technology • Heating down to 5°F (Range 5°F to 75°F)
- Compact and Quiet Design • Coil (Indoor and Outdoor) Copper Tube / Aluminum Fin
- • Blue Colored Fin - 500 Hrs Salt Spray Tested

MULTI-ZONE COMPATIBILITY CHART

WALL MOUNT OPTIONS

MULTI ZONE R32					
	EMUL18HPJ1320A	EMUL24HPJ1320A	EMUL30HPJ1320A	EMUL36HPJ1320A	EEMUL42HPJ1320A
BRISA R32					
System Model no.					
BRS05HPJ1321A	•	•	•	•	•
BRS07HPJ1321A	•	•	•	•	•
BRS09HPJ1321A	•	•	•	•	•
BRS12HPJ1321A	•	•	•	•	•
BRS18HPJ1321A		•	•	•	•
BRS24HPJ1321A			•	•	•
BRS30HPJ1321A					
BRS36HPJ1321A					
VENTO R32					
System Model no.					
VEN09HPJ1321A	•				
VEN12HPJ1321A	•				
NOVO R32					
System Model no.					
NOV09HPJ1321A	•	•	•	•	•
NOV12HPJ1321A	•	•	•	•	•
NOV18HPJ1321A		•	•	•	•
NOV24HPJ1321A			•	•	•

ADDITIONAL INDOOR UNIT OPTIONS

MULTI ZONE R32					
	EMUL18HPJ1320A	EMUL24HPJ1320A	EMUL30HPJ1320A	EMUL36HPJ1320A	EEMUL42HPJ1320A
ONE WAY CASSETTE					
System Model no.					
OWC09HPJ1321A	•	•	•	•	•
OWC12HPJ1321A	•	•	•	•	•
OWC18HPJ1321A			•	•	•
OWC20HPJ1321A				•	•
360° CEILING CASSETTE					
System Model no.					
CAS09HPJ1321A	•	•	•	•	•
CAS12HPJ1321A	•	•	•	•	•
CAS18HPJ1321A			•	•	•
CAS24HPJ1321A				•	•
CAS30HPJ1321A					
CAS36HPJ1321A					
SLIM DUCT					
System Model no.					
DUC09HPJ1321A	•	•	•	•	•
DUC12HPJ1321A	•	•	•	•	•
DUC18HPJ1321A			•	•	•
DUC24HPJ1321A				•	•
DUC30HPJ1321A					
DUC36HPJ1321A					
FLOOR/CEILING					
System Model no.					
FLR09HPJ1321A	•	•	•	•	•
FLR12HPJ1321A	•	•	•	•	•
FLR18HPJ1321A			•	•	•
FLR24HPJ1321A				•	•
FLR30HPJ1321A					
FLR36HPJ1321A					
MINI CONSOLE					
System Model no.					
CON09HPJ1321A	•	•	•	•	•
CON12HPJ1321A	•	•	•	•	•
CON18HPJ1321A			•	•	•
AIR HANDLER					
System Model no.					
VAH12HPJ1321A	•	•	•	•	•
VAH18HPJ1321A			•	•	•
VAH24HPJ1321A				•	•

NOTE: R32 Indoor units are only compatible with R32 Outdoor units. Keep in mind, line set is always sized by the indoor unit valve diameter.

SPECIFICATIONS, FEATURES & FUNCTION SUMMARY

SYSTEM TYPE		HEAT PUMP		REFRIGERANT PIPING		
Outdoor Model		EMUL42HPJ1320A		Refrigerant Charge - R32	oz	84.66
Number of Zones		2 - 5		Compressor Type		G-20 / Double Cylinder / 1 - STAGE INVERTER
SYSTEM PERFORMANCE (Non-Ducted Indoor Units)				Additional Charge		oz/ft
Cooling Capacity	Min - Max	Btu/h	8,870 - 47,700	Port A (in)		1/4 - 3/8
	Rated Capacity @95°F	Btu/h	42,000	Port B (in)		1/4 - 3/8
Heating Capacity	Min - Max	Btu/h	8,870 - 51,200	Port C (in)		1/4 - 3/8
	Rated Capacity @47°F	Btu/h	42,000	Port D (in)		1/4 - 3/8
	Rated Capacity @17°F	Btu/h	31,000	Port E (in)		1/4 - 3/8
	Rated Capacity @5°F	Btu/h	29,400	Pre-Charge Length		ft
SEER2		17		Pipe Length (Min - Max)		ft
EER2		11.0		Pipe Length to furthest Indoor Unit		ft
HSPF2		8.5		Max. Pipe Elevation		ft
COP @5°F		1.80		ELECTRICAL		
SYSTEM PERFORMANCE (Ducted Indoor Units)				Power Supply		208-230V / 1Ph / 60Hz
Cooling Capacity	Min - Max	Btu/h	8,870 - 47,700	Voltage Range (Min - Max)		VAC
	Rated Capacity @95°F	Btu/h	41,000	Rated Current - Cooling		A
Heating Capacity	Min - Max	Btu/h	8,870 - 51,200	Rated Current - Heating		A
	Rated Capacity @47°F	Btu/h	41,000	MOCP		A
	Rated Capacity @17°F	Btu/h	28,000	MCA		A
	Rated Capacity @5°F	Btu/h	25,000	Main Power Wire Size		AWG
SEER2		17.0		Interconnecting Wire Size		AWG
EER2		10.2		FEATURES & FUNCTIONS SUMMARY		
HSPF2		7.5		Inverter Type		G20
COP @5°F		1.60		Ultra Low Frequency Torque Control		Yes
SYSTEM PERFORMANCE (Mixed Ducted and Non-Ducted Indoor Units)				Compressor Type - Inverter		Yes
Cooling Capacity	Min - Max	Btu/h	8,870 - 47,700	Basepan With Electric Heater		Yes
	Rated Capacity @95°F	Btu/h	42,000	Indoor & Outdoor Fin Coating (Blue Fin)		Yes
Heating Capacity	Min - Max	Btu/h	8,870 - 51,200	Intelligent Defrosting		Yes
	Rated Capacity @47°F	Btu/h	42,000	Intelligent Preheating		Yes
	Rated Capacity @17°F	Btu/h	29,000	Low Voltage Startup		Yes
	Rated Capacity @5°F	Btu/h	27,000	Memory/Power Failure Recovery		Yes
SEER2		17.0		Self Diagnosis		Yes
EER2		10.6				
HSPF2		8.0				
COP @5°F		1.70				
OUTDOOR UNIT		EMUL42HPJ1320A				
Cooling Temperature Range	°F	5 - 118				
Heating Temperature Range	°F	5 - 75				
Refrigerant Type		R32				
Compressor Type		G-20 / Double Cylinder / 1 - STAGE INVERTER				
Sound Pressure Level	dB(A)	61				
External Dimensions (W x H x D)	in	40-10/64 x 32-33/64 x 16-52/64				
Package Dimension (W x H x D)	in	43-1/32 x 34-27/32 x 19-9/16				
Net Weight	lbs	160.9				
Gross Weight	lbs	176.3				

ALLOWABLE COMBINATIONS CAPACITIES

MODEL NUMBER	POSSIBLE COMBINATIONS*	COOLING CAPACITY (Btu/h)					HEATING CAPACITY (Btu/h)				
		ZONE1	ZONE2	ZONE3	ZONE4	ZONE5	ZONE1	ZONE2	ZONE3	ZONE4	ZONE5
EMUL42HPJ132OA	5K+18K	5,000	18,000				5,000	18,000			
EMUL42HPJ132OA	5K+24K	5,000	24,000				5,000	24,000			
EMUL42HPJ132OA	7K+18K	7,000	18,000				7,000	18,000			
EMUL42HPJ132OA	7K+24K	7,000	24,000				7,000	24,000			
EMUL42HPJ132OA	9K+12K	9,000	12,000				9,000	12,000			
EMUL42HPJ132OA	9K+18K	9,000	18,000				9,000	18,000			
EMUL42HPJ132OA	9K+24K	9,000	24,000				9,000	24,000			
EMUL42HPJ132OA	12K+12K	12,000	12,000				12,000	12,000			
EMUL42HPJ132OA	12K+18K	12,000	18,000				12,000	18,000			
EMUL42HPJ132OA	12K+24K	12,000	24,000				12,000	24,000			
EMUL42HPJ132OA	18K+18K	18,000	18,000				18,000	18,000			
EMUL42HPJ132OA	18K+24K	18,000	24,000				18,000	24,000			
EMUL42HPJ132OA	24K+24K	21,000	21,000				21,000	21,000			
EMUL42HPJ132OA	7K+7K+7K	7,000	7,000	7,000			8,000	8,000	8,000		
EMUL42HPJ132OA	5K+5K+12K	5,000	5,000	12,000			5,000	5,000	12,000		
EMUL42HPJ132OA	5K+5K+18K	5,000	5,000	18,000			5,000	5,000	18,000		
EMUL42HPJ132OA	5K+5K+24K	5,000	5,000	24,000			5,000	5,000	24,000		
EMUL42HPJ132OA	5K+7K+9K	5,000	7,000	9,000			5,000	7,000	9,000		
EMUL42HPJ132OA	5K+7K+12K	5,000	7,000	12,000			5,000	7,000	12,000		
EMUL42HPJ132OA	5K+7K+18K	5,000	7,000	18,000			5,000	7,000	18,000		
EMUL42HPJ132OA	5K+7K+24K	5,000	7,000	24,000			5,000	7,000	24,000		
EMUL42HPJ132OA	5K+9K+9K	5,000	9,000	9,000			5,000	9,000	9,000		
EMUL42HPJ132OA	5K+9K+12K	5,000	9,000	12,000			5,000	9,000	12,000		
EMUL42HPJ132OA	5K+9K+18K	5,000	9,000	18,000			5,000	9,000	18,000		
EMUL42HPJ132OA	5K+9K+24K	5,000	9,000	24,000			5,000	9,000	24,000		
EMUL42HPJ132OA	5K+12K+12K	5,000	12,000	12,000			5,000	12,000	12,000		
EMUL42HPJ132OA	5K+12K+18K	5,000	12,000	18,000			5,000	12,000	18,000		
EMUL42HPJ132OA	5K+12K+24K	5,000	12,000	24,000			5,000	12,000	24,000		
EMUL42HPJ132OA	5K+18K+18K	5,000	18,000	18,000			5,000	18,000	18,000		
EMUL42HPJ132OA	5K+18K+24K	4,468	16,085	21,447			4,468	16,085	21,447		
EMUL42HPJ132OA	5K+24K+24K	3,962	19,019	19,019			3,962	19,019	19,019		
EMUL42HPJ132OA	7K+7K+9K	7,000	7,000	9,000			7,000	7,000	9,000		
EMUL42HPJ132OA	7K+7K+12K	7,000	7,000	12,000			7,000	7,000	12,000		
EMUL42HPJ132OA	7K+7K+18K	7,000	7,000	18,000			7,000	7,000	18,000		
EMUL42HPJ132OA	7K+7K+24K	7,000	7,000	24,000			7,000	7,000	24,000		
EMUL42HPJ132OA	7K+9K+9K	7,000	9,000	9,000			7,000	9,000	9,000		
EMUL42HPJ132OA	7K+9K+12K	7,000	9,000	12,000			7,000	9,000	12,000		
EMUL42HPJ132OA	7K+9K+18K	7,000	9,000	18,000			7,000	9,000	18,000		
EMUL42HPJ132OA	7K+9K+24K	7,000	9,000	24,000			7,000	9,000	24,000		
EMUL42HPJ132OA	7K+12K+12K	7,000	12,000	12,000			7,000	12,000	12,000		
EMUL42HPJ132OA	7K+12K+18K	7,000	12,000	18,000			7,000	12,000	18,000		
EMUL42HPJ132OA	7K+12K+24K	6,837	11,721	23,442			6,837	11,721	23,442		
EMUL42HPJ132OA	7K+18K+18K	6,837	17,581	17,581			6,837	17,581	17,581		
EMUL42HPJ132OA	7K+18K+24K	6,000	15,429	20,571			6,000	15,429	20,571		
EMUL42HPJ132OA	9K+9K+9K	9,000	9,000	9,000			9,000	9,000	9,000		
EMUL42HPJ132OA	9K+9K+12K	9,000	9,000	12,000			9,000	9,000	12,000		
EMUL42HPJ132OA	9K+9K+18K	9,000	9,000	18,000			9,000	9,000	18,000		
EMUL42HPJ132OA	9K+9K+24K	9,000	9,000	24,000			9,000	9,000	24,000		

Outdoor Unit & Possible Indoor Unit Combinations with AHRI Certified Performance

*You may substitute the 9K unit with a 5K or 7K High Wall unit, find complete capacity information in the extended ratings chart.

MODEL NUMBER	POSSIBLE COMBINATIONS*	COOLING CAPACITY (Btu/h)					HEATING CAPACITY (Btu/h)				
		ZONE1	ZONE2	ZONE3	ZONE4	ZONE5	ZONE1	ZONE2	ZONE3	ZONE4	ZONE5
EMUL42HPJ132OA	9K+12K+12K	9,000	12,000	12,000			9,000	12,000	12,000		
EMUL42HPJ132OA	9K+12K+18K	9,000	12,000	18,000			9,000	12,000	18,000		
EMUL42HPJ132OA	9K+12K+24K	8,400	11,200	22,400			8,400	11,200	22,400		
EMUL42HPJ132OA	9K+18K+18K	8,400	16,800	16,800			8,400	16,800	16,800		
EMUL42HPJ132OA	9K+18K+24K	7,412	14,824	19,765			7,412	14,824	19,765		
EMUL42HPJ132OA	9K+24K+24K	6,632	17,684	17,684			6,632	17,684	17,684		
EMUL42HPJ132OA	12K+12K+12K	12,000	12,000	12,000			12,000	12,000	12,000		
EMUL42HPJ132OA	12K+12K+18K	12,000	12,000	18,000			12,000	12,000	18,000		
EMUL42HPJ132OA	12K+12K+24K	10,500	10,500	21,000			10,500	10,500	21,000		
EMUL42HPJ132OA	12K+18K+18K	10,500	15,750	15,750			10,500	15,750	15,750		
EMUL42HPJ132OA	12K+18K+24K	9,333	14,000	18,667			9,333	14,000	18,667		
EMUL42HPJ132OA	12K+24K+24K	8,400	16,800	16,800			8,400	16,800	16,800		
EMUL42HPJ132OA	18K+18K+18K	14,000	14,000	14,000			14,000	14,000	14,000		
EMUL42HPJ132OA	18K+18K+24K	12,600	12,600	16,800			12,600	12,600	16,800		
EMUL42HPJ132OA	7K+7K+7K+7K	7,000	7,000	7,000	7,000		8,000	8,000	8,000	8,000	
EMUL42HPJ132OA	5K+5K+5K+7K	5,000	5,000	5,000	7,000		6,000	6,000	6,000	8,000	
EMUL42HPJ132OA	5K+5K+7K+7K	5,000	5,000	7,000	7,000		6,000	6,000	8,000	8,000	
EMUL42HPJ132OA	5K+7K+7K+7K	5,000	7,000	7,000	7,000		6,000	8,000	8,000	8,000	
EMUL42HPJ132OA	5K+5K+5K+9K	5,000	5,000	5,000	9,000		5,000	5,000	5,000	9,000	
EMUL42HPJ132OA	5K+5K+5K+12K	5,000	5,000	5,000	12,000		5,000	5,000	5,000	12,000	
EMUL42HPJ132OA	5K+5K+5K+18K	5,000	5,000	5,000	18,000		5,000	5,000	5,000	18,000	
EMUL42HPJ132OA	5K+5K+5K+24K	5,000	5,000	5,000	24,000		5,000	5,000	5,000	24,000	
EMUL42HPJ132OA	5K+5K+7K+9K	5,000	5,000	7,000	9,000		5,000	5,000	7,000	9,000	
EMUL42HPJ132OA	5K+5K+7K+12K	5,000	5,000	7,000	12,000		5,000	5,000	7,000	12,000	
EMUL42HPJ132OA	5K+5K+7K+18K	5,000	5,000	7,000	18,000		5,000	5,000	7,000	18,000	
EMUL42HPJ132OA	5K+5K+7K+24K	5,000	5,000	7,000	24,000		5,000	5,000	7,000	24,000	
EMUL42HPJ132OA	5K+5K+9K+9K	5,000	5,000	9,000	9,000		5,000	5,000	9,000	9,000	
EMUL42HPJ132OA	5K+5K+9K+12K	5,000	5,000	9,000	12,000		5,000	5,000	9,000	12,000	
EMUL42HPJ132OA	5K+5K+9K+18K	5,000	5,000	9,000	18,000		5,000	5,000	9,000	18,000	
EMUL42HPJ132OA	5K+5K+9K+24K	4,884	4,884	8,791	23,442		4,884	4,884	8,791	23,442	
EMUL42HPJ132OA	5K+5K+12K+12K	5,000	5,000	12,000	12,000		5,000	5,000	12,000	12,000	
EMUL42HPJ132OA	5K+5K+12K+18K	5,000	5,000	12,000	18,000		5,000	5,000	12,000	18,000	
EMUL42HPJ132OA	5K+5K+12K+24K	4,565	4,565	10,957	21,913		4,565	4,565	10,957	21,913	
EMUL42HPJ132OA	5K+5K+18K+18K	4,565	4,565	16,435	16,435		4,565	4,565	16,435	16,435	
EMUL42HPJ132OA	5K+5K+18K+24K	4,038	4,038	14,538	19,385		4,038	4,038	14,538	19,385	
EMUL42HPJ132OA	5K+7K+7K+9K	5,000	7,000	7,000	9,000		5,000	7,000	7,000	9,000	
EMUL42HPJ132OA	5K+7K+7K+12K	5,000	7,000	7,000	12,000		5,000	7,000	7,000	12,000	
EMUL42HPJ132OA	5K+7K+7K+18K	5,000	7,000	7,000	18,000		5,000	7,000	7,000	18,000	
EMUL42HPJ132OA	5K+7K+7K+24K	4,884	6,837	6,837	23,442		4,884	6,837	6,837	23,442	
EMUL42HPJ132OA	5K+7K+9K+9K	5,000	7,000	9,000	9,000		5,000	7,000	9,000	9,000	
EMUL42HPJ132OA	5K+7K+9K+12K	5,000	7,000	9,000	12,000		5,000	7,000	9,000	12,000	
EMUL42HPJ132OA	5K+7K+9K+18K	5,000	7,000	9,000	18,000		5,000	7,000	9,000	18,000	
EMUL42HPJ132OA	5K+7K+9K+24K	4,667	6,533	8,400	22,400		4,667	6,533	8,400	22,400	
EMUL42HPJ132OA	5K+7K+12K+12K	5,000	7,000	12,000	12,000		5,000	7,000	12,000	12,000	
EMUL42HPJ132OA	5K+7K+12K+18K	5,000	7,000	12,000	18,000		5,000	7,000	12,000	18,000	
EMUL42HPJ132OA	5K+7K+12K+24K	4,375	6,125	10,500	21,000		4,375	6,125	10,500	21,000	
EMUL42HPJ132OA	5K+7K+18K+18K	4,375	6,125	15,750	15,750		4,375	6,125	15,750	15,750	
EMUL42HPJ132OA	5K+7K+18K+24K	3,889	5,444	14,000	18,667		3,889	5,444	14,000	18,667	
EMUL42HPJ132OA	5K+9K+9K+9K	5,000	9,000	9,000	9,000		5,000	9,000	9,000	9,000	
EMUL42HPJ132OA	5K+9K+9K+12K	5,000	9,000	9,000	12,000		5,000	9,000	9,000	12,000	
EMUL42HPJ132OA	5K+9K+9K+18K	5,000	9,000	9,000	18,000		5,000	9,000	9,000	18,000	
EMUL42HPJ132OA	5K+9K+9K+24K	4,468	8,043	8,043	21,447		4,468	8,043	8,043	21,447	
EMUL42HPJ132OA	5K+9K+12K+12K	5,000	9,000	12,000	12,000		5,000	9,000	12,000	12,000	

MODEL NUMBER	POSSIBLE COMBINATIONS*	COOLING CAPACITY (Btu/h)					HEATING CAPACITY (Btu/h)				
		ZONE1	ZONE2	ZONE3	ZONE4	ZONE5	ZONE1	ZONE2	ZONE3	ZONE4	ZONE5
EMUL42HPJ132OA	5K+9K+12K+18K	4,773	8,591	11,455	17,182		4,773	8,591	11,455	17,182	
EMUL42HPJ132OA	5K+9K+12K+24K	4,200	7,560	10,080	20,160		4,200	7,560	10,080	20,160	
EMUL42HPJ132OA	5K+9K+18K+18K	4,200	7,560	15,120	15,120		4,200	7,560	15,120	15,120	
EMUL42HPJ132OA	5K+12K+12K+12K	5,000	12,000	12,000	12,000		5,000	12,000	12,000	12,000	
EMUL42HPJ132OA	5K+12K+12K+18K	4,468	10,723	10,723	16,085		4,468	10,723	10,723	16,085	
EMUL42HPJ132OA	5K+12K+12K+24K	3,962	9,509	9,509	19,019		3,962	9,509	9,509	19,019	
EMUL42HPJ132OA	5K+12K+18K+18K	3,962	9,509	14,264	14,264		3,962	9,509	14,264	14,264	
EMUL42HPJ132OA	7K+7K+7K+9K	7,000	7,000	7,000	9,000		7,000	7,000	7,000	9,000	
EMUL42HPJ132OA	7K+7K+7K+12K	7,000	7,000	7,000	12,000		7,000	7,000	7,000	12,000	
EMUL42HPJ132OA	7K+7K+7K+18K	7,000	7,000	7,000	18,000		7,000	7,000	7,000	18,000	
EMUL42HPJ132OA	7K+7K+7K+24K	6,533	6,533	6,533	22,400		6,533	6,533	6,533	22,400	
EMUL42HPJ132OA	7K+7K+9K+9K	7,000	7,000	9,000	9,000		7,000	7,000	9,000	9,000	
EMUL42HPJ132OA	7K+7K+9K+12K	7,000	7,000	9,000	12,000		7,000	7,000	9,000	12,000	
EMUL42HPJ132OA	7K+7K+9K+18K	7,000	7,000	9,000	18,000		7,000	7,000	9,000	18,000	
EMUL42HPJ132OA	7K+7K+9K+24K	6,255	6,255	8,043	21,447		6,255	6,255	8,043	21,447	
EMUL42HPJ132OA	7K+7K+12K+12K	7,000	7,000	12,000	12,000		7,000	7,000	12,000	12,000	
EMUL42HPJ132OA	7K+7K+12K+18K	6,682	6,682	11,455	17,182		6,682	6,682	11,455	17,182	
EMUL42HPJ132OA	7K+7K+12K+24K	5,880	5,880	10,080	20,160		5,880	5,880	10,080	20,160	
EMUL42HPJ132OA	7K+7K+18K+18K	5,880	5,880	15,120	15,120		5,880	5,880	15,120	15,120	
EMUL42HPJ132OA	7K+9K+9K+9K	7,000	9,000	9,000	9,000		7,000	9,000	9,000	9,000	
EMUL42HPJ132OA	7K+9K+9K+12K	7,000	9,000	9,000	12,000		7,000	9,000	9,000	12,000	
EMUL42HPJ132OA	7K+9K+9K+18K	6,837	8,791	8,791	17,581		6,837	8,791	8,791	17,581	
EMUL42HPJ132OA	7K+9K+9K+24K	6,000	7,714	7,714	20,571		6,000	7,714	7,714	20,571	
EMUL42HPJ132OA	7K+9K+12K+12K	7,000	9,000	12,000	12,000		7,000	9,000	12,000	12,000	
EMUL42HPJ132OA	7K+9K+12K+18K	6,391	8,217	10,957	16,435		6,391	8,217	10,957	16,435	
EMUL42HPJ132OA	7K+9K+12K+24K	5,654	7,269	9,692	19,385		5,654	7,269	9,692	19,385	
EMUL42HPJ132OA	7K+12K+12K+12K	6,837	11,721	11,721	11,721		6,837	11,721	11,721	11,721	
EMUL42HPJ132OA	7K+12K+12K+18K	6,000	10,286	10,286	15,429		6,000	10,286	10,286	15,429	
EMUL42HPJ132OA	7K+9K+18K+18K	5,654	7,269	14,538	14,538		5,654	7,269	14,538	14,538	
EMUL42HPJ132OA	7K+9K+18K+24K	5,069	6,517	13,034	17,379		5,069	6,517	13,034	17,379	
EMUL42HPJ132OA	7K+9K+24K+24K	4,594	5,906	15,750	15,750		4,594	5,906	15,750	15,750	
EMUL42HPJ132OA	7K+12K+12K+24K	5,345	9,164	9,164	18,327		5,345	9,164	9,164	18,327	
EMUL42HPJ132OA	7K+12K+18K+18K	5,345	9,164	13,745	13,745		5,345	9,164	13,745	13,745	
EMUL42HPJ132OA	7K+12K+18K+24K	4,820	8,262	12,393	16,525		4,820	8,262	12,393	16,525	
EMUL42HPJ132OA	7K+12K+24K+24K	4,388	7,522	15,045	15,045		4,388	7,522	15,045	15,045	
EMUL42HPJ132OA	7K+18K+18K+18K	4,820	12,393	12,393	12,393		4,820	12,393	12,393	12,393	
EMUL42HPJ132OA	7K+18K+18K+24K	4,388	11,284	11,284	15,045		4,388	11,284	11,284	15,045	
EMUL42HPJ132OA	9K+9K+9K+9K	9,000	9,000	9,000	9,000		9,000	9,000	9,000	9,000	
EMUL42HPJ132OA	9K+9K+9K+12K	9,000	9,000	9,000	12,000		9,000	9,000	9,000	12,000	
EMUL42HPJ132OA	9K+9K+9K+18K	8,400	8,400	8,400	16,800		8,400	8,400	8,400	16,800	
EMUL42HPJ132OA	9K+9K+9K+24K	7,412	7,412	7,412	19,765		7,412	7,412	7,412	19,765	
EMUL42HPJ132OA	9K+9K+12K+12K	9,000	9,000	12,000	12,000		9,000	9,000	12,000	12,000	
EMUL42HPJ132OA	9K+9K+12K+18K	7,875	7,875	10,500	15,750		7,875	7,875	10,500	15,750	
EMUL42HPJ132OA	9K+9K+12K+24K	7,000	7,000	9,333	18,667		7,000	7,000	9,333	18,667	
EMUL42HPJ132OA	9K+9K+18K+18K	7,000	7,000	14,000	14,000		7,000	7,000	14,000	14,000	
EMUL42HPJ132OA	9K+9K+18K+24K	6,300	6,300	12,600	16,800		6,300	6,300	12,600	16,800	
EMUL42HPJ132OA	9K+12K+12K+12K	8,400	11,200	11,200	11,200		8,400	11,200	11,200	11,200	
EMUL42HPJ132OA	9K+12K+12K+18K	7,412	9,882	9,882	14,824		7,412	9,882	9,882	14,824	
EMUL42HPJ132OA	9K+12K+12K+24K	6,632	8,842	8,842	17,684		6,632	8,842	8,842	17,684	
EMUL42HPJ132OA	9K+12K+18K+18K	6,632	8,842	13,263	13,263		6,632	8,842	13,263	13,263	
EMUL42HPJ132OA	9K+12K+18K+24K	6,000	8,000	12,000	16,000		6,000	8,000	12,000	16,000	
EMUL42HPJ132OA	9K+18K+18K+18K	6,000	12,000	12,000	12,000		6,000	12,000	12,000	12,000	
EMUL42HPJ132OA	9K+9K+24K+24K	5,727	5,727	15,273	15,273		5,727	5,727	15,273	15,273	

MODEL NUMBER	POSSIBLE COMBINATIONS*	COOLING CAPACITY (Btu/h)					HEATING CAPACITY (Btu/h)				
		ZONE1	ZONE2	ZONE3	ZONE4	ZONE5	ZONE1	ZONE2	ZONE3	ZONE4	ZONE5
EMUL42HPJ132OA	9K+12K+24K+24K	5,478	7,304	14,609	14,609		5,478	7,304	14,609	14,609	
EMUL42HPJ132OA	12K+12K+12K+24K	8,400	8,400	8,400	16,800		8,400	8,400	8,400	16,800	
EMUL42HPJ132OA	12K+12K+18K+18K	8,400	8,400	12,600	12,600		8,400	8,400	12,600	12,600	
EMUL42HPJ132OA	12K+12K+18K+24K	7,636	7,636	11,455	15,273		7,636	7,636	11,455	15,273	
EMUL42HPJ132OA	12K+12K+24K+24K	7,000	7,000	14,000	14,000		7,000	7,000	14,000	14,000	
EMUL42HPJ132OA	12K+18K+18K+18K	7,636	11,455	11,455	11,455		7,636	11,455	11,455	11,455	
EMUL42HPJ132OA	12K+18K+18K+24K	9,692	9,692	9,692	12,923		9,692	9,692	9,692	12,923	
EMUL42HPJ132OA	18K+18K+18K+18K	10,500	10,500	10,500	10,500		10,500	10,500	10,500	10,500	
EMUL42HPJ132OA	5K+7K+7K+7K+7K	5,000	7,000	7,000	7,000	7,000	6,000	8,000	8,000	8,000	8,000
EMUL42HPJ132OA	5K+5K+5K+5K+9K	5,000	5,000	5,000	5,000	9,000	5,000	5,000	5,000	5,000	9,000
EMUL42HPJ132OA	5K+5K+5K+5K+18K	5,000	5,000	5,000	5,000	18,000	5,000	5,000	5,000	5,000	18,000
EMUL42HPJ132OA	5K+5K+5K+5K+24K	4,773	4,773	4,773	4,773	22,909	4,773	4,773	4,773	4,773	22,909
EMUL42HPJ132OA	5K+5K+5K+7K+9K	5,000	5,000	5,000	7,000	9,000	5,000	5,000	5,000	7,000	9,000
EMUL42HPJ132OA	5K+5K+5K+7K+18K	5,000	5,000	5,000	7,000	18,000	5,000	5,000	5,000	7,000	18,000
EMUL42HPJ132OA	5K+5K+5K+7K+24K	4,565	4,565	4,565	6,391	21,913	4,565	4,565	4,565	6,391	21,913
EMUL42HPJ132OA	5K+5K+5K+9K+12K	5,000	5,000	5,000	9,000	12,000	5,000	5,000	5,000	9,000	12,000
EMUL42HPJ132OA	5K+5K+5K+12K+12K	5,000	5,000	5,000	12,000	12,000	5,000	5,000	5,000	12,000	12,000
EMUL42HPJ132OA	5K+5K+5K+18K+18K	4,118	4,118	4,118	14,824	14,824	4,118	4,118	4,118	14,824	14,824
EMUL42HPJ132OA	5K+5K+5K+24K+24K	3,333	3,333	3,333	16,000	16,000	3,333	3,333	3,333	16,000	16,000
EMUL42HPJ132OA	5K+5K+7K+7K+9K	5,000	5,000	7,000	7,000	9,000	5,000	5,000	7,000	7,000	9,000
EMUL42HPJ132OA	5K+5K+7K+7K+18K	5,000	5,000	7,000	7,000	18,000	5,000	5,000	7,000	7,000	18,000
EMUL42HPJ132OA	5K+5K+7K+7K+24K	4,375	4,375	6,125	6,125	21,000	4,375	4,375	6,125	6,125	21,000
EMUL42HPJ132OA	5K+5K+7K+9K+9K	5,000	5,000	7,000	9,000	9,000	5,000	5,000	7,000	9,000	9,000
EMUL42HPJ132OA	5K+5K+7K+9K+18K	4,773	4,773	6,682	8,591	17,182	4,773	4,773	6,682	8,591	17,182
EMUL42HPJ132OA	5K+5K+7K+9K+24K	4,200	4,200	5,880	7,560	20,160	4,200	4,200	5,880	7,560	20,160
EMUL42HPJ132OA	5K+5K+7K+12K+18K	4,468	4,468	6,255	10,723	16,085	4,468	4,468	6,255	10,723	16,085
EMUL42HPJ132OA	5K+5K+7K+12K+24K	3,962	3,962	5,547	9,509	19,019	3,962	3,962	5,547	9,509	19,019
EMUL42HPJ132OA	5K+5K+9K+9K+12K	4,565	4,565	8,217	8,217	16,435	4,565	4,565	8,217	8,217	16,435
EMUL42HPJ132OA	5K+5K+9K+12K+12K	4,884	4,884	8,791	11,721	11,721	4,884	4,884	8,791	11,721	11,721
EMUL42HPJ132OA	5K+5K+9K+18K+18K	3,818	3,818	6,873	13,745	13,745	3,818	3,818	6,873	13,745	13,745
EMUL42HPJ132OA	5K+5K+9K+18K+24K	3,443	3,443	6,197	12,393	16,525	3,443	3,443	6,197	12,393	16,525
EMUL42HPJ132OA	5K+5K+12K+12K+12K	4,565	4,565	10,957	10,957	10,957	4,565	4,565	10,957	10,957	10,957
EMUL42HPJ132OA	5K+5K+12K+18K+18K	3,621	3,621	8,690	13,034	13,034	3,621	3,621	8,690	13,034	13,034
EMUL42HPJ132OA	5K+7K+7K+7K+12K	5,000	7,000	7,000	7,000	12,000	5,000	7,000	7,000	7,000	12,000
EMUL42HPJ132OA	5K+7K+7K+9K+9K	5,000	7,000	7,000	9,000	9,000	5,000	7,000	7,000	9,000	9,000
EMUL42HPJ132OA	5K+7K+7K+9K+18K	4,565	6,391	6,391	8,217	16,435	4,565	6,391	6,391	8,217	16,435
EMUL42HPJ132OA	5K+7K+7K+9V+24K	4,038	5,654	5,654	7,269	19,385	4,038	5,654	5,654	7,269	19,385
EMUL42HPJ132OA	5K+7K+7K+12K+18K	4,286	6,000	6,000	10,286	15,429	4,286	6,000	6,000	10,286	15,429
EMUL42HPJ132OA	5K+7K+7K+12K+24K	3,818	5,345	5,345	9,164	18,327	3,818	5,345	5,345	9,164	18,327
EMUL42HPJ132OA	5K+7K+9K+9K+12K	5,000	7,000	9,000	9,000	12,000	5,000	7,000	9,000	9,000	12,000
EMUL42HPJ132OA	5K+7K+9K+12K+12K	4,667	6,533	8,400	11,200	11,200	4,667	6,533	8,400	11,200	11,200
EMUL42HPJ132OA	5K+7K+9K+18K+18K	3,684	5,158	6,632	13,263	13,263	3,684	5,158	6,632	13,263	13,263
EMUL42HPJ132OA	5K+7K+9K+18K+24K	3,333	4,667	6,000	12,000	16,000	3,333	4,667	6,000	12,000	16,000
EMUL42HPJ132OA	5K+7K+12K+12K+18K	3,889	5,444	9,333	9,333	14,000	3,889	5,444	9,333	9,333	14,000
EMUL42HPJ132OA	5K+7K+12K+12K+24K	3,500	4,900	8,400	8,400	16,800	3,500	4,900	8,400	8,400	16,800
EMUL42HPJ132OA	5K+9K+9K+9K+12K	4,773	8,591	8,591	8,591	11,455	4,773	8,591	8,591	8,591	11,455
EMUL42HPJ132OA	5K+9K+9K+12K+12K	4,468	8,043	8,043	10,723	10,723	4,468	8,043	8,043	10,723	10,723
EMUL42HPJ132OA	5K+9K+9K+18K+18K	3,559	6,407	6,407	12,814	12,814	3,559	6,407	6,407	12,814	12,814
EMUL42HPJ132OA	5K+9K+9K+18K+24K	3,231	5,815	5,815	11,631	15,508	3,231	5,815	5,815	11,631	15,508
EMUL42HPJ132OA	5K+9K+12K+12K+12K	4,200	7,560	10,080	10,080	10,080	4,200	7,560	10,080	10,080	10,080
EMUL42HPJ132OA	5K+9K+12K+18K+18K	3,387	6,097	8,129	12,194	12,194	3,387	6,097	8,129	12,194	12,194
EMUL42HPJ132OA	5K+12K+12K+12K+18K	3,559	8,542	8,542	8,542	12,814	3,559	8,542	8,542	8,542	12,814
EMUL42HPJ132OA	5K+5K+5K+5K+7K	5,000	5,000	5,000	5,000	7,000	5,000	5,000	5,000	5,000	7,000

MODEL NUMBER	POSSIBLE COMBINATIONS*	COOLING CAPACITY (Btu/h)					HEATING CAPACITY (Btu/h)				
		ZONE1	ZONE2	ZONE3	ZONE4	ZONE5	ZONE1	ZONE2	ZONE3	ZONE4	ZONE5
EMUL42HPJ132OA	5K+5K+5K+5K+12K	5,000	5,000	5,000	5,000	12,000	5,000	5,000	5,000	5,000	12,000
EMUL42HPJ132OA	5K+5K+5K+7K+7K	5,000	5,000	5,000	7,000	7,000	5,000	5,000	5,000	7,000	7,000
EMUL42HPJ132OA	5K+5K+5K+7K+12K	5,000	5,000	5,000	7,000	12,000	5,000	5,000	5,000	7,000	12,000
EMUL42HPJ132OA	5K+5K+5K+9K+9K	5,000	5,000	5,000	9,000	9,000	5,000	5,000	5,000	9,000	9,000
EMUL42HPJ132OA	5K+5K+5K+9K+18K	5,000	5,000	5,000	9,000	18,000	5,000	5,000	5,000	9,000	18,000
EMUL42HPJ132OA	5K+5K+5K+9K+24K	4,375	4,375	4,375	7,875	21,000	4,375	4,375	4,375	7,875	21,000
EMUL42HPJ132OA	5K+5K+5K+12K+18K	4,667	4,667	4,667	11,200	16,800	4,667	4,667	4,667	11,200	16,800
EMUL42HPJ132OA	5K+5K+5K+12K+24K	4,118	4,118	4,118	9,882	19,765	4,118	4,118	4,118	9,882	19,765
EMUL42HPJ132OA	5K+5K+5K+18K+24K	3,684	3,684	3,684	13,263	17,684	3,684	3,684	3,684	13,263	17,684
EMUL42HPJ132OA	5K+5K+7K+7K+12K	5,000	5,000	7,000	7,000	12,000	5,000	5,000	7,000	7,000	12,000
EMUL42HPJ132OA	5K+5K+7K+9K+9K	5,000	5,000	7,000	9,000	9,000	5,000	5,000	7,000	9,000	9,000
EMUL42HPJ132OA	5K+5K+7K+9K+12K	5,000	5,000	7,000	9,000	12,000	5,000	5,000	7,000	9,000	12,000
EMUL42HPJ132OA	5K+5K+7K+12K+12K	5,000	5,000	7,000	12,000	12,000	5,000	5,000	7,000	12,000	12,000
EMUL42HPJ132OA	5K+5K+9K+9K+9K	5,000	5,000	9,000	9,000	9,000	5,000	5,000	9,000	9,000	9,000
EMUL42HPJ132OA	5K+5K+9K+9K+18K	4,565	4,565	8,217	8,217	16,435	4,565	4,565	8,217	8,217	16,435
EMUL42HPJ132OA	5K+5K+9K+9K+24K	4,038	4,038	7,269	7,269	19,385	4,038	4,038	7,269	7,269	19,385
EMUL42HPJ132OA	5K+5K+9K+12K+18K	4,286	4,286	7,714	10,286	15,429	4,286	4,286	7,714	10,286	15,429
EMUL42HPJ132OA	5K+5K+9K+12K+24K	3,818	3,818	6,873	9,164	18,327	3,818	3,818	6,873	9,164	18,327
EMUL42HPJ132OA	5K+5K+12K+12K+18K	4,038	4,038	9,692	9,692	14,538	4,038	4,038	9,692	9,692	14,538
EMUL42HPJ132OA	5K+5K+12K+12K+24K	3,621	3,621	8,690	8,690	17,379	3,621	3,621	8,690	8,690	17,379
EMUL42HPJ132OA	5K+7K+7K+7K+9K	5,000	7,000	7,000	7,000	9,000	5,000	7,000	7,000	7,000	9,000
EMUL42HPJ132OA	5K+7K+7K+7K+18K	4,773	6,682	6,682	6,682	17,182	4,773	6,682	6,682	6,682	17,182
EMUL42HPJ132OA	5K+7K+7K+7K+24K	4,200	5,880	5,880	5,880	20,160	4,200	5,880	5,880	5,880	20,160
EMUL42HPJ132OA	5K+7K+7K+9K+12K	5,000	7,000	7,000	9,000	12,000	5,000	7,000	7,000	9,000	12,000
EMUL42HPJ132OA	5K+7K+7K+12K+12K	4,884	6,837	6,837	11,721	11,721	4,884	6,837	6,837	11,721	11,721
EMUL42HPJ132OA	5K+7K+7K+18K+18K	3,818	5,345	5,345	13,745	13,745	3,818	5,345	5,345	13,745	13,745
EMUL42HPJ132OA	5K+7K+7K+18K+24K	3,443	4,820	4,820	12,393	16,525	3,443	4,820	4,820	12,393	16,525
EMUL42HPJ132OA	5K+7K+9K+9K+9K	5,000	7,000	9,000	9,000	9,000	5,000	7,000	9,000	9,000	9,000
EMUL42HPJ132OA	5K+7K+9K+9K+18K	4,375	6,125	7,875	7,875	15,750	4,375	6,125	7,875	7,875	15,750
EMUL42HPJ132OA	5K+7K+9K+9K+24K	3,889	5,444	7,000	7,000	18,667	3,889	5,444	7,000	7,000	18,667
EMUL42HPJ132OA	5K+7K+9K+12K+18K	4,118	5,765	7,412	9,882	14,824	4,118	5,765	7,412	9,882	14,824
EMUL42HPJ132OA	5K+7K+9K+12K+24K	3,684	5,158	6,632	8,842	17,684	3,684	5,158	6,632	8,842	17,684
EMUL42HPJ132OA	5K+7K+12K+12K+12K	4,375	6,125	10,500	10,500	10,500	4,375	6,125	10,500	10,500	10,500
EMUL42HPJ132OA	5K+7K+12K+18K+18K	3,500	4,900	8,400	12,600	12,600	3,500	4,900	8,400	12,600	12,600
EMUL42HPJ132OA	5K+9K+9K+9K+9K	5,000	9,000	9,000	9,000	9,000	5,000	9,000	9,000	9,000	9,000
EMUL42HPJ132OA	5K+9K+9K+9K+18K	4,200	7,560	7,560	7,560	15,120	4,200	7,560	7,560	7,560	15,120
EMUL42HPJ132OA	5K+9K+9K+9K+24K	3,750	6,750	6,750	6,750	18,000	3,750	6,750	6,750	6,750	18,000
EMUL42HPJ132OA	5K+9K+9K+12K+18K	3,962	7,132	7,132	9,509	14,264	3,962	7,132	7,132	9,509	14,264
EMUL42HPJ132OA	5K+9K+9K+12K+24K	3,559	6,407	6,407	8,542	17,085	3,559	6,407	6,407	8,542	17,085
EMUL42HPJ132OA	5K+9K+12K+12K+18K	3,750	6,750	9,000	9,000	13,500	3,750	6,750	9,000	9,000	13,500
EMUL42HPJ132OA	5K+9K+12K+12K+24K	3,387	6,097	8,129	8,129	16,258	3,387	6,097	8,129	8,129	16,258
EMUL42HPJ132OA	5K+12K+12K+12K+12K	3,962	9,509	9,509	9,509	9,509	3,962	9,509	9,509	9,509	9,509
EMUL42HPJ132OA	7K+7K+7K+7K+9K	7,000	7,000	7,000	7,000	9,000	7,000	7,000	7,000	7,000	9,000
EMUL42HPJ132OA	7K+7K+7K+7K+18K	6,391	6,391	6,391	6,391	16,435	6,391	6,391	6,391	6,391	16,435
EMUL42HPJ132OA	7K+7K+7K+7K+24K	5,654	5,654	5,654	5,654	19,385	5,654	5,654	5,654	5,654	19,385
EMUL42HPJ132OA	7K+7K+7K+9K+12K	7,000	7,000	7,000	9,000	12,000	7,000	7,000	7,000	9,000	12,000
EMUL42HPJ132OA	7K+7K+7K+12K+12K	6,533	6,533	6,533	11,200	11,200	6,533	6,533	6,533	11,200	11,200
EMUL42HPJ132OA	7K+7K+7K+18K+18K	5,158	5,158	5,158	13,263	13,263	5,158	5,158	5,158	13,263	13,263
EMUL42HPJ132OA	7K+7K+7K+18K+24K	4,667	4,667	4,667	12,000	16,000	4,667	4,667	4,667	12,000	16,000
EMUL42HPJ132OA	7K+7K+9K+9K+9K	7,000	7,000	9,000	9,000	9,000	7,000	7,000	9,000	9,000	9,000
EMUL42HPJ132OA	7K+7K+9K+9K+18K	5,880	5,880	7,560	7,560	15,120	5,880	5,880	7,560	7,560	15,120
EMUL42HPJ132OA	7K+7K+9K+9K+24K	5,250	5,250	6,750	6,750	18,000	5,250	5,250	6,750	6,750	18,000
EMUL42HPJ132OA	7K+7K+9K+12K+18K	5,547	5,547	7,132	9,509	14,264	5,547	5,547	7,132	9,509	14,264

MODEL NUMBER	POSSIBLE COMBINATIONS*	COOLING CAPACITY (Btu/h)					HEATING CAPACITY (Btu/h)				
		ZONE1	ZONE2	ZONE3	ZONE4	ZONE5	ZONE1	ZONE2	ZONE3	ZONE4	ZONE5
EMUL42HPJ132OA	7K+7K+9K+12K+24K	4,983	4,983	6,407	8,542	17,085	4,983	4,983	6,407	8,542	17,085
EMUL42HPJ132OA	7K+7K+12K+12K+18K	5,250	5,250	9,000	9,000	13,500	5,250	5,250	9,000	9,000	13,500
EMUL42HPJ132OA	7K+7K+12K+12K+24K	4,742	4,742	8,129	8,129	16,258	4,742	4,742	8,129	8,129	16,258
EMUL42HPJ132OA	7K+9K+9K+9K+9K	6,837	8,791	8,791	8,791	8,791	6,837	8,791	8,791	8,791	8,791
EMUL42HPJ132OA	7K+9K+9K+9K+18K	5,654	7,269	7,269	7,269	14,538	5,654	7,269	7,269	7,269	14,538
EMUL42HPJ132OA	7K+9K+9K+9K+24K	5,069	6,517	6,517	6,517	17,379	5,069	6,517	6,517	6,517	17,379
EMUL42HPJ132OA	7K+9K+9K+12K+18K	5,345	6,873	6,873	9,164	13,745	5,345	6,873	6,873	9,164	13,745
EMUL42HPJ132OA	7K+9K+9K+12K+24K	4,820	6,197	6,197	8,262	16,525	4,820	6,197	6,197	8,262	16,525
EMUL42HPJ132OA	7K+9K+12K+12K+12K	5,654	7,269	9,692	9,692	9,692	5,654	7,269	9,692	9,692	9,692
EMUL42HPJ132OA	7K+12K+12K+12K+18K	4,820	8,262	8,262	8,262	12,393	4,820	8,262	8,262	8,262	12,393
EMUL42HPJ132OA	9K+9K+9K+9K+9K	8,400	8,400	8,400	8,400	8,400	8,400	8,400	8,400	8,400	8,400
EMUL42HPJ132OA	9K+9K+9K+9K+12K	7,875	7,875	7,875	7,875	10,500	7,875	7,875	7,875	7,875	10,500
EMUL42HPJ132OA	9K+9K+9K+9K+18K	7,000	7,000	7,000	7,000	14,000	7,000	7,000	7,000	7,000	14,000
EMUL42HPJ132OA	9K+9K+9K+9K+24K	6,300	6,300	6,300	6,300	16,800	6,300	6,300	6,300	6,300	16,800
EMUL42HPJ132OA	9K+9K+9K+12K+12K	7,412	7,412	7,412	9,882	9,882	7,412	7,412	7,412	9,882	9,882
EMUL42HPJ132OA	9K+9K+9K+12K+18K	6,632	6,632	6,632	8,842	13,263	6,632	6,632	6,632	8,842	13,263
EMUL42HPJ132OA	9K+9K+9K+12K+24K	6,000	6,000	6,000	8,000	16,000	6,000	6,000	6,000	8,000	16,000
EMUL42HPJ132OA	9K+9K+9K+18K+18K	6,000	6,000	6,000	12,000	12,000	6,000	6,000	6,000	12,000	12,000
EMUL42HPJ132OA	9K+9K+12K+12K+12K	7,000	7,000	9,333	9,333	9,333	7,000	7,000	9,333	9,333	9,333
EMUL42HPJ132OA	9K+9K+12K+12K+18K	6,300	6,300	8,400	8,400	12,600	6,300	6,300	8,400	8,400	12,600
EMUL42HPJ132OA	9K+12K+12K+12K+12K	6,632	8,842	8,842	8,842	8,842	6,632	8,842	8,842	8,842	8,842
EMUL42HPJ132OA	9K+12K+12K+12K+18K	6,000	8,000	8,000	8,000	12,000	6,000	8,000	8,000	8,000	12,000
EMUL42HPJ132OA	12K+12K+12K+12K+12K	8,400	8,400	8,400	8,400	8,400	8,400	8,400	8,400	8,400	8,400

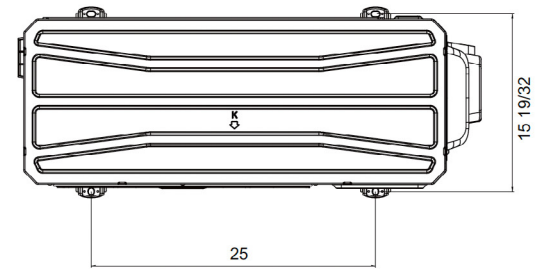
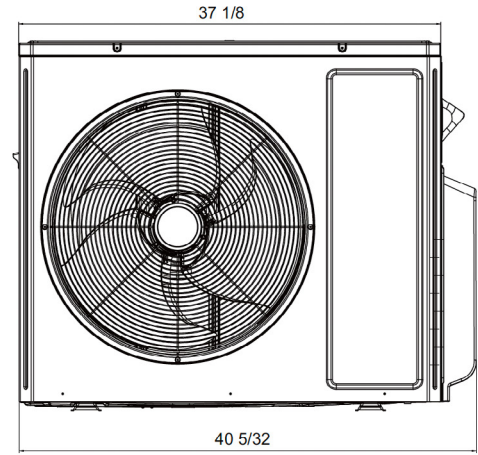
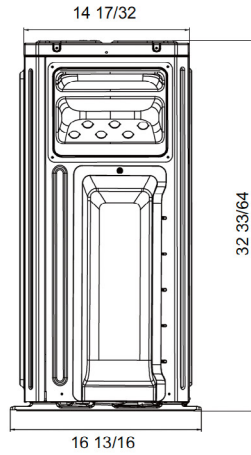
DIMENSIONS

OUTDOOR UNIT

Unit: inch

EMUL42HPJ320A

DIMENSIONS

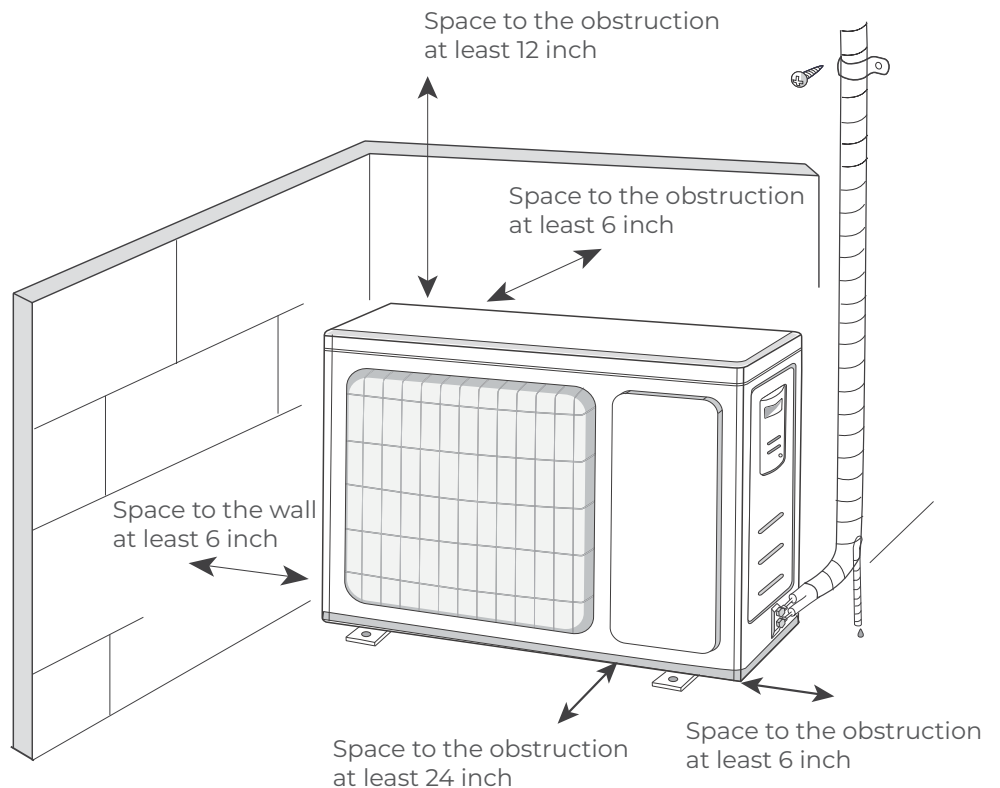
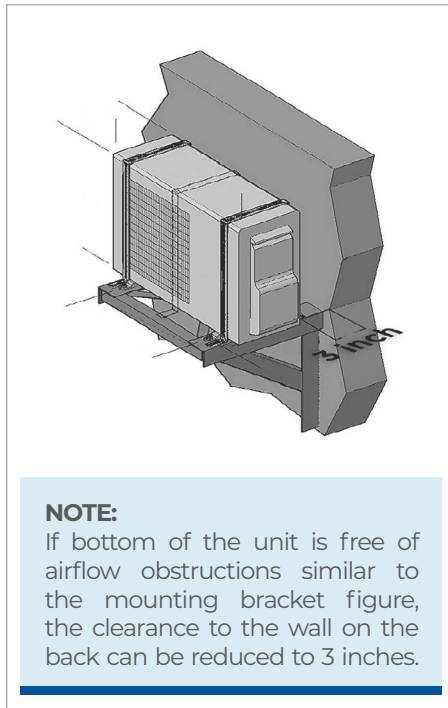


Unit: inch

CLEARANCES

OUTDOOR UNIT

Minimum clearance



Specifications are subject to change without notice. Manufacturer reserves the right to discontinue or modify specifications or designs without notice or without incurring obligations. All Rights reserved.

BOREALHEATPUMP.COM