

## SUBMITTAL DATA

EMUL36HPJ1320A  
36000 BTU/H Multi Zone Heat Pump System

Job Name

Purchaser

Submitted to

Unit Designation

Location

Date

Engineer

For

Schedule No.



### GENERAL FEATURES

- AHRI Certificate: [218394250](#) (Non-Ducted) • Auto Restart on Power Outages
- [218394256](#) (Ducted) • Multi-point Diagnostics
- (Mixed) • Cooling down to 5°F (Range 5°F to 118°F)
- High Efficiency DC Inverter Technology • Heating down to 5°F (Range 5°F to 75°F)
- Compact and Quiet Design • Coil (Indoor and Outdoor) Copper Tube / Aluminum Fin
- Blue Colored Fin - 500 Hrs Salt Spray Tested

# MULTI-ZONE COMPATIBILITY CHART

## WALL MOUNT OPTIONS

MULTI ZONE R32					
	EMUL18HPJ132OA	EMUL24HPJ132OA	EMUL30HPJ132OA	EMUL36HPJ132OA	EMUL42HPJ132OA
<b>BRISA R32</b>					
<b>System Model no.</b>					
BRS05HPJ132IA	•	•	•	•	•
BRS07HPJ132IA	•	•	•	•	•
BRS09HPJ132IA	•	•	•	•	•
BRS12HPJ132IA	•	•	•	•	•
BRS18HPJ132IA		•	•	•	•
BRS24HPJ132IA			•	•	•
BRS30HPJ132IA					
BRS36HPJ132IA					
<b>VENTO R32</b>					
<b>System Model no.</b>					
VEN09HPJ132IA	•				
VEN12HPJ132IA	•				
<b>NOVO R32</b>					
<b>System Model no.</b>					
NOV09HPJ132IA	•	•	•	•	•
NOV12HPJ132IA	•	•	•	•	•
NOV18HPJ132IA		•	•	•	•
NOV24HPJ132IA			•	•	•

## ADDITIONAL INDOOR UNIT OPTIONS

MULTI ZONE R32					
	EMUL18HPJ132OA	EMUL24HPJ132OA	EMUL30HPJ132OA	EMUL36HPJ132OA	EMUL42HPJ132OA
<b>ONE WAY CASSETTE</b>					
<b>System Model no.</b>					
OWC09HPJ132IA	•	•	•	•	•
OWC12HPJ132IA	•	•	•	•	•
OWC18HPJ132IA			•	•	•
OWC20HPJ132IA				•	•
<b>360° CEILING CASSETTE</b>					
<b>System Model no.</b>					
CAS09HPJ132IA	•	•	•	•	•
CAS12HPJ132IA	•	•	•	•	•
CAS18HPJ132IA			•	•	•
CAS24HPJ132IA				•	•
CAS30HPJ132IA					
CAS36HPJ132IA					
<b>SLIM DUCT</b>					
<b>System Model no.</b>					
DUC09HPJ132IA	•	•	•	•	•
DUC12HPJ132IA	•	•	•	•	•
DUC18HPJ132IA			•	•	•
DUC24HPJ132IA				•	•
DUC30HPJ132IA					
DUC36HPJ132IA					
<b>FLOOR/CEILING</b>					
<b>System Model no.</b>					
FLR09HPJ132IA	•	•	•	•	•
FLR12HPJ132IA	•	•	•	•	•
FLR18HPJ132IA			•	•	•
FLR24HPJ132IA				•	•
FLR30HPJ132IA					
FLR36HPJ132IA					
<b>MINI CONSOLE</b>					
<b>System Model no.</b>					
CON09HPJ132IA	•	•	•	•	•
CON12HPJ132IA	•	•	•	•	•
CON18HPJ132IA			•	•	•
<b>AIR HANDLER</b>					
<b>System Model no.</b>					
VAH12HPJ132IA	•	•	•	•	•
VAH18HPJ132IA			•	•	•
VAH24HPJ132IA				•	•

NOTE: R32 Indoor units are only compatible with R32 Outdoor units. Keep in mind, line set is always sized by the indoor unit valve diameter.

## SPECIFICATIONS, FEATURES & FUNCTION SUMMARY

SYSTEM TYPE		HEAT PUMP	
Outdoor Model		EMUL36HPJ1320A	
Number of Zones		2 - 4	
SYSTEM PERFORMANCE (Non-Ducted Indoor Units)			
Cooling Capacity	Min - Max	Btu/h	8,870 - 44,300
	Rated Capacity @95°F	Btu/h	36,000
Heating Capacity	Min - Max	Btu/h	8,870 - 47,800
	Rated Capacity @47°F	Btu/h	36,000
	Rated Capacity @17°F	Btu/h	29,000
	Rated Capacity @5°F	Btu/h	28,000
SEER2		17	
EER2		11.6	
HSPF2		8.5	
COP @5°F		1.80	
SYSTEM PERFORMANCE (Ducted Indoor Units)			
Cooling Capacity	Min - Max	Btu/h	8,870 - 44,300
	Rated Capacity @95°F	Btu/h	34,400
Heating Capacity	Min - Max	Btu/h	8,870 - 47,800
	Rated Capacity @47°F	Btu/h	34,400
	Rated Capacity @17°F	Btu/h	25,000
	Rated Capacity @5°F	Btu/h	23,600
SEER2		17.0	
EER2		11.0	
HSPF2		7.2	
COP @5°F		1.60	
SYSTEM PERFORMANCE (Mixed Ducted and Non-Ducted Indoor Units)			
Cooling Capacity	Min - Max	Btu/h	8,870 - 44,300
	Rated Capacity @95°F	Btu/h	36,000
Heating Capacity	Min - Max	Btu/h	8,870 - 47,800
	Rated Capacity @47°F	Btu/h	36,000
	Rated Capacity @17°F	Btu/h	27,000
	Rated Capacity @5°F	Btu/h	25,600
SEER2		17.0	
EER2		11.3	
HSPF2		7.8	
COP @5°F		1.70	
OUTDOOR UNIT		EMUL36HPJ1320A	
Cooling Temperature Range	°F	5 - 118	
Heating Temperature Range	°F	5 - 75	
Refrigerant Type		R32	
Compressor Type		G-20 / Double Cylinder / 1 - STAGE INVERTER	
Sound Pressure Level	dB(A)	60	
External Dimensions (W x H x D)	in	40-5/32 x 32-33/64 x 16-13/16	
Package Dimension (W x H x D)	in	43-1/32 x 34-27/32 x 19-9/16	
Net Weight	lbs	158.7	
Gross Weight	lbs	174.2	
REFRIGERANT PIPING			
Refrigerant Charge - R32	oz	84.66	
Compressor Type	G-20 / Double Cylinder / 1 - STAGE INVERTER		
Additional Charge	oz/ft	0.2	
Port Size (Liquid - Gas)	Port A (in)	1/4 - 3/8	
	Port B (in)	1/4 - 3/8	
	Port C (in)	1/4 - 3/8	
	Port D (in)	1/4 - 3/8	
	Port E (in)		
Pre-Charge Length	ft	131	
Pipe Length (Min - Max)	ft	10 - 263	
Pipe Length to furthest Indoor Unit	ft	82	
Max. Pipe Elevation	ft	82	
ELECTRICAL			
Power Supply		208-230V / 1Ph / 60Hz	
Voltage Range (Min - Max)	VAC	187 - 253	
Rated Current - Cooling	A	21.7	
Rated Current - Heating	A	22.6	
MOCP	A	30	
MCA	A	26.5	
Main Power Wire Size	AWG	Per Local Code	
Interconnecting Wire Size	AWG	14 / 4	
FEATURES & FUNCTIONS SUMMARY			
Inverter Type	G20		
Ultra Low Frequency Torque Control	Yes		
Compressor Type - Inverter	Yes		
Basepan With Electric Heater	Yes		
Indoor & Outdoor Fin Coating (Blue Fin)	Yes		
Intelligent Defrosting	Yes		
Intelligent Preheating	Yes		
Low Voltage Startup	Yes		
Memory/Power Failure Recovery	Yes		
Self Diagnosis	Yes		

## ALLOWABLE COMBINATIONS CAPACITIES

MODEL NUMBER	POSSIBLE COMBINATIONS*	COOLING CAPACITY (Btu/h)					HEATING CAPACITY (Btu/h)				
		ZONE1	ZONE2	ZONE3	ZONE4	ZONE5	ZONE1	ZONE2	ZONE3	ZONE4	ZONE5
EMUL36HPJ132OA	5K+18K	5,000	18,000				6,000	18,000			
EMUL36HPJ132OA	5K+24K	5,000	24,000				6,000	24,000			
EMUL36HPJ132OA	7K+12K	7,000	12,000				8,000	12,000			
EMUL36HPJ132OA	7K+18K	7,000	18,000				8,000	18,000			
EMUL36HPJ132OA	7K+24K	7,000	24,000				8,000	24,000			
EMUL36HPJ132OA	9K+9K	9,000	9,000				9,000	9,000			
EMUL36HPJ132OA	9K+12K	9,000	12,000				9,000	12,000			
EMUL36HPJ132OA	9K+18K	9,000	18,000				9,000	18,000			
EMUL36HPJ132OA	9K+24K	9,000	24,000				9,000	24,000			
EMUL36HPJ132OA	12K+12K	12,000	12,000				12,000	12,000			
EMUL36HPJ132OA	12K+18K	12,000	18,000				12,000	18,000			
EMUL36HPJ132OA	12K+24K	12,000	24,000				12,000	24,000			
EMUL36HPJ132OA	18K+18K	18,000	18,000				18,000	18,000			
EMUL36HPJ132OA	18K+24K	15,429	20,571				15,429	20,571			
EMUL36HPJ132OA	24K+24K	18,000	18,000				18,000	18,000			
EMUL36HPJ132OA	7K+7K+7K	7,000	7,000	7,000			8,000	8,000	8,000		
EMUL36HPJ132OA	5K+7K+7K	5,000	7,000	7,000			6,000	8,000	8,000		
EMUL36HPJ132OA	5K+5K+9K	5,000	9,000	9,000			6,000	9,000	9,000		
EMUL36HPJ132OA	5K+5K+12K	5,000	5,000	12,000			6,000	5,000	12,000		
EMUL36HPJ132OA	5K+5K+18K	5,000	5,000	18,000			6,000	5,000	18,000		
EMUL36HPJ132OA	5K+5K+24K	5,000	5,000	24,000			6,000	5,000	24,000		
EMUL36HPJ132OA	5K+7K+9K	5,000	7,000	9,000			6,000	7,000	9,000		
EMUL36HPJ132OA	5K+7K+12K	5,000	7,000	12,000			6,000	7,000	12,000		
EMUL36HPJ132OA	5K+7K+18K	5,000	7,000	18,000			6,000	7,000	18,000		
EMUL36HPJ132OA	5K+7K+24K	5,000	7,000	24,000			5,500	6,500	24,000		
EMUL36HPJ132OA	5K+9K+9K	5,000	9,000	9,000			6,000	9,000	9,000		
EMUL36HPJ132OA	5K+9K+12K	5,000	9,000	12,000			6,000	9,000	12,000		
EMUL36HPJ132OA	5K+9K+18K	5,000	9,000	18,000			6,000	9,000	18,000		
EMUL36HPJ132OA	5K+9K+24K	4,737	8,526	22,737			4,737	8,526	22,737		
EMUL36HPJ132OA	5K+12K+12K	5,000	12,000	12,000			6,000	12,000	12,000		
EMUL36HPJ132OA	5K+12K+18K	5,000	12,000	18,000			6,000	12,000	18,000		
EMUL36HPJ132OA	5K+12K+24K	4,390	10,537	21,073			4,390	10,537	21,073		
EMUL36HPJ132OA	5K+18K+18K	4,390	15,805	15,805			4,390	15,805	15,805		
EMUL36HPJ132OA	5K+18K+24K	3,830	13,787	18,383			3,830	13,787	18,383		
EMUL36HPJ132OA	5K+24K+24K	3,396	16,302	16,302			3,396	16,302	16,302		
EMUL36HPJ132OA	7K+7K+9K	7,000	7,000	9,000			8,000	8,000	9,000		
EMUL36HPJ132OA	7K+7K+12K	7,000	7,000	12,000			8,000	8,000	12,000		
EMUL36HPJ132OA	7K+7K+18K	7,000	7,000	18,000			8,000	8,000	18,000		
EMUL36HPJ132OA	7K+7K+24K	6,632	6,632	22,737			6,632	6,632	22,737		
EMUL36HPJ132OA	7K+9K+9K	7,000	9,000	9,000			8,000	9,000	9,000		
EMUL36HPJ132OA	7K+9K+12K	7,000	9,000	12,000			8,000	9,000	12,000		
EMUL36HPJ132OA	7K+9K+18K	7,000	9,000	18,000			8,000	9,000	18,000		
EMUL36HPJ132OA	7K+9K+24K	6,300	8,100	21,600			6,300	8,100	21,600		
EMUL36HPJ132OA	7K+12K+12K	7,000	12,000	12,000			7,000	12,000	12,000		
EMUL36HPJ132OA	7K+12K+18K	6,811	11,676	17,514			6,811	11,676	17,514		
EMUL36HPJ132OA	7K+12K+24K	5,860	10,047	20,093			5,860	10,047	20,093		
EMUL36HPJ132OA	7K+18K+18K	5,860	15,070	15,070			5,860	15,070	15,070		
EMUL36HPJ132OA	7K+18K+24K	5,143	13,224	17,633			5,143	13,224	17,633		

Outdoor Unit & Possible Indoor Unit Combinations with AHRI Certified Performance

\*You may substitute the 9K unit with a 5K or 7K High Wall unit, find complete capacity information in the extended ratings chart.

MODEL NUMBER	POSSIBLE COMBINATIONS*	COOLING CAPACITY (Btu/h)					HEATING CAPACITY (Btu/h)				
		ZONE1	ZONE2	ZONE3	ZONE4	ZONE5	ZONE1	ZONE2	ZONE3	ZONE4	ZONE5
EMUL36HPJ132OA	9K+9K+9K	9,000	9,000	9,000			9,000	9,000	9,000		
EMUL36HPJ132OA	9K+9K+12K	9,000	9,000	12,000			9,000	9,000	12,000		
EMUL36HPJ132OA	9K+9K+18K	9,000	9,000	18,000			9,000	9,000	18,000		
EMUL36HPJ132OA	9K+9K+24K	7,714	7,714	20,571			7,714	7,714	20,571		
EMUL36HPJ132OA	9K+12K+12K	9,000	12,000	12,000			9,000	12,000	12,000		
EMUL36HPJ132OA	9K+12K+18K	8,308	11,077	16,615			8,308	11,077	16,615		
EMUL36HPJ132OA	9K+12K+24K	7,200	9,600	19,200			7,200	9,600	19,200		
EMUL36HPJ132OA	9K+18K+18K	7,200	14,400	14,400			7,200	14,400	14,400		
EMUL36HPJ132OA	9K+18K+24K	6,353	12,706	16,941			6,353	12,706	16,941		
EMUL36HPJ132OA	12K+12K+12K	12,000	12,000	12,000			12,000	12,000	12,000		
EMUL36HPJ132OA	12K+12K+18K	10,286	10,286	15,429			10,286	10,286	15,429		
EMUL36HPJ132OA	12K+12K+24K	9,000	9,000	18,000			9,000	9,000	18,000		
EMUL36HPJ132OA	12K+18K+18K	9,000	13,500	13,500			9,000	13,500	13,500		
EMUL36HPJ132OA	12K+18K+24K	8,000	12,000	16,000			8,000	12,000	16,000		
EMUL36HPJ132OA	18K+18K+18K	12,000	12,000	12,000			12,000	12,000	12,000		
EMUL36HPJ132OA	5K+5K+5K+5K	5,000	5,000	5,000	5,000		6,000	6,000	6,000	6,000	
EMUL36HPJ132OA	7K+7K+7K+7K	7,000	7,000	7,000	7,000		8,000	8,000	8,000	8,000	
EMUL36HPJ132OA	5K+5K+5K+7K	5,000	5,000	5,000	7,000		6,000	6,000	6,000	8,000	
EMUL36HPJ132OA	5K+5K+7K+7K	5,000	5,000	7,000	7,000		6,000	6,000	8,000	8,000	
EMUL36HPJ132OA	5K+7K+7K+7K	5,000	7,000	7,000	7,000		6,000	8,000	8,000	8,000	
EMUL36HPJ132OA	5K+5K+5K+9K	5,000	5,000	5,000	9,000		6,000	6,000	6,000	9,000	
EMUL36HPJ132OA	5K+5K+5K+12K	5,000	5,000	5,000	12,000		6,000	6,000	6,000	12,000	
EMUL36HPJ132OA	5K+5K+5K+18K	5,000	5,000	5,000	18,000		6,000	6,000	6,000	18,000	
EMUL36HPJ132OA	5K+5K+5K+24K	4,615	4,615	4,615	22,154		4,615	4,615	4,615	22,154	
EMUL36HPJ132OA	5K+5K+7K+9K	5,000	5,000	7,000	9,000		6,000	6,000	8,000	9,000	
EMUL36HPJ132OA	5K+5K+7K+12K	5,000	5,000	7,000	12,000		6,000	6,000	7,000	12,000	
EMUL36HPJ132OA	5K+5K+7K+18K	5,000	5,000	7,000	18,000		5,500	5,500	7,000	18,000	
EMUL36HPJ132OA	5K+5K+7K+24K	4,390	4,390	6,146	21,073		4,390	4,390	6,146	21,073	
EMUL36HPJ132OA	5K+5K+9K+9K	5,000	5,000	9,000	9,000		5,000	5,000	9,000	9,000	
EMUL36HPJ132OA	5K+5K+9K+12K	5,000	5,000	9,000	12,000		5,000	5,000	9,000	12,000	
EMUL36HPJ132OA	5K+5K+9K+18K	4,865	4,865	8,757	17,514		4,865	4,865	8,757	17,514	
EMUL36HPJ132OA	5K+5K+9K+24K	4,186	4,186	7,535	20,093		4,186	4,186	7,535	20,093	
EMUL36HPJ132OA	5K+5K+12K+12K	5,000	5,000	12,000	12,000		5,000	5,000	12,000	12,000	
EMUL36HPJ132OA	5K+5K+12K+18K	4,500	4,500	10,800	16,200		4,500	4,500	10,800	16,200	
EMUL36HPJ132OA	5K+5K+12K+24K	3,913	3,913	9,391	18,783		3,913	3,913	9,391	18,783	
EMUL36HPJ132OA	5K+5K+18K+18K	3,913	3,913	14,087	14,087		3,913	3,913	14,087	14,087	
EMUL36HPJ132OA	5K+5K+18K+24K	3,462	3,462	12,462	16,615		3,462	3,462	12,462	16,615	
EMUL36HPJ132OA	5K+7K+7K+9K	5,000	7,000	7,000	9,000		5,000	7,000	7,000	9,000	
EMUL36HPJ132OA	5K+7K+7K+12K	5,000	7,000	7,000	12,000		5,000	7,000	7,000	12,000	
EMUL36HPJ132OA	5K+7K+7K+18K	4,865	6,811	6,811	17,514		4,865	6,811	6,811	17,514	
EMUL36HPJ132OA	5K+7K+7K+24K	4,186	5,860	5,860	20,093		4,186	5,860	5,860	20,093	
EMUL36HPJ132OA	5K+7K+9K+9K	5,000	7,000	9,000	9,000		5,000	7,000	9,000	9,000	
EMUL36HPJ132OA	5K+7K+9K+12K	5,000	7,000	9,000	12,000		5,000	7,000	9,000	12,000	
EMUL36HPJ132OA	5K+7K+9K+18K	4,615	6,462	8,308	16,615		4,615	6,462	8,308	16,615	
EMUL36HPJ132OA	5K+7K+9K+24K	4,000	5,600	7,200	19,200		4,000	5,600	7,200	19,200	
EMUL36HPJ132OA	5K+7K+12K+12K	5,000	7,000	12,000	12,000		5,000	7,000	12,000	12,000	
EMUL36HPJ132OA	5K+7K+12K+18K	4,286	6,000	10,286	15,429		4,286	6,000	10,286	15,429	
EMUL36HPJ132OA	5K+7K+12K+24K	3,750	5,250	9,000	18,000		3,750	5,250	9,000	18,000	
EMUL36HPJ132OA	5K+7K+18K+18K	3,750	5,250	13,500	13,500		3,750	5,250	13,500	13,500	
EMUL36HPJ132OA	5K+7K+18K+24K	3,333	4,667	12,000	16,000		3,333	4,667	12,000	16,000	
EMUL36HPJ132OA	5K+9K+9K+9K	5,000	9,000	9,000	9,000		5,000	9,000	9,000	9,000	

MODEL NUMBER	POSSIBLE COMBINATIONS*	COOLING CAPACITY (Btu/h)					HEATING CAPACITY (Btu/h)				
		ZONE1	ZONE2	ZONE3	ZONE4	ZONE5	ZONE1	ZONE2	ZONE3	ZONE4	ZONE5
EMUL36HPJ132OA	5K+9K+9K+12K	5,000	9,000	9,000	12,000		5,000	9,000	9,000	12,000	
EMUL36HPJ132OA	5K+9K+9K+18K	4,390	7,902	7,902	15,805		4,390	7,902	7,902	15,805	
EMUL36HPJ132OA	5K+9K+9K+24K	3,830	6,894	6,894	18,383		3,830	6,894	6,894	18,383	
EMUL36HPJ132OA	5K+9K+12K+12K	4,737	8,526	11,368	11,368		4,737	8,526	11,368	11,368	
EMUL36HPJ132OA	5K+9K+12K+18K	4,091	7,364	9,818	14,727		4,091	7,364	9,818	14,727	
EMUL36HPJ132OA	5K+9K+12K+24K	3,600	6,480	8,640	17,280		3,600	6,480	8,640	17,280	
EMUL36HPJ132OA	5K+9K+18K+18K	3,600	6,480	12,960	12,960		3,600	6,480	12,960	12,960	
EMUL36HPJ132OA	5K+12K+12K+12K	4,390	10,537	10,537	10,537		4,390	10,537	10,537	10,537	
EMUL36HPJ132OA	5K+12K+12K+18K	3,830	9,191	9,191	13,787		3,830	9,191	9,191	13,787	
EMUL36HPJ132OA	5K+12K+12K+24K	3,396	8,151	8,151	16,302		3,396	8,151	8,151	16,302	
EMUL36HPJ132OA	5K+12K+18K+18K	3,396	8,151	12,226	12,226		3,396	8,151	12,226	12,226	
EMUL36HPJ132OA	7K+7K+7K+9K	7,000	7,000	7,000	9,000		7,000	7,000	7,000	9,000	
EMUL36HPJ132OA	7K+7K+7K+12K	7,000	7,000	7,000	12,000		7,000	7,000	7,000	12,000	
EMUL36HPJ132OA	7K+7K+7K+18K	6,462	6,462	6,462	16,615		6,462	6,462	6,462	16,615	
EMUL36HPJ132OA	7K+7K+7K+24K	5,600	5,600	5,600	19,200		5,600	5,600	5,600	19,200	
EMUL36HPJ132OA	7K+7K+9K+9K	7,000	7,000	9,000	9,000		7,000	7,000	9,000	9,000	
EMUL36HPJ132OA	7K+7K+9K+12K	7,000	7,000	9,000	12,000		7,000	7,000	9,000	12,000	
EMUL36HPJ132OA	7K+7K+9K+18K	6,146	6,146	7,902	15,805		6,146	6,146	7,902	15,805	
EMUL36HPJ132OA	7K+7K+9K+24K	5,362	5,362	6,894	18,383		5,362	5,362	6,894	18,383	
EMUL36HPJ132OA	7K+7K+12K+12K	6,632	6,632	11,368	11,368		6,632	6,632	11,368	11,368	
EMUL36HPJ132OA	7K+7K+12K+18K	5,727	5,727	9,818	14,727		5,727	5,727	9,818	14,727	
EMUL36HPJ132OA	7K+7K+12K+24K	5,040	5,040	8,640	17,280		5,040	5,040	8,640	17,280	
EMUL36HPJ132OA	7K+7K+18K+18K	5,040	5,040	12,960	12,960		5,040	5,040	12,960	12,960	
EMUL36HPJ132OA	7K+9K+9K+9K	7,000	9,000	9,000	9,000		7,000	9,000	9,000	9,000	
EMUL36HPJ132OA	7K+9K+9K+12K	6,811	8,757	8,757	11,676		6,811	8,757	8,757	11,676	
EMUL36HPJ132OA	7K+9K+9K+18K	5,860	7,535	7,535	15,070		5,860	7,535	7,535	15,070	
EMUL36HPJ132OA	7K+9K+9K+24K	5,143	6,612	6,612	17,633		5,143	6,612	6,612	17,633	
EMUL36HPJ132OA	7K+9K+12K+12K	6,300	8,100	10,800	10,800		6,300	8,100	10,800	10,800	
EMUL36HPJ132OA	7K+9K+12K+18K	5,478	7,043	9,391	14,087		5,478	7,043	9,391	14,087	
EMUL36HPJ132OA	7K+9K+12K+24K	4,846	6,231	8,308	16,615		4,846	6,231	8,308	16,615	
EMUL36HPJ132OA	7K+12K+12K+12K	5,860	10,047	10,047	10,047		5,860	10,047	10,047	10,047	
EMUL36HPJ132OA	7K+12K+12K+18K	5,143	8,816	8,816	13,224		5,143	8,816	8,816	13,224	
EMUL36HPJ132OA	9K+9K+9K+9K	9,000	9,000	9,000	9,000		9,000	9,000	9,000	9,000	
EMUL36HPJ132OA	9K+9K+9K+12K	8,308	8,308	8,308	11,077		8,308	8,308	8,308	11,077	
EMUL36HPJ132OA	9K+9K+9K+18K	7,200	7,200	7,200	14,400		7,200	7,200	7,200	14,400	
EMUL36HPJ132OA	9K+9K+9K+24K	6,353	6,353	6,353	16,941		6,353	6,353	6,353	16,941	
EMUL36HPJ132OA	9K+9K+12K+12K	7,714	7,714	10,286	10,286		7,714	7,714	10,286	10,286	
EMUL36HPJ132OA	9K+9K+12K+18K	6,750	6,750	9,000	13,500		6,750	6,750	9,000	13,500	
EMUL36HPJ132OA	9K+9K+12K+24K	6,000	6,000	8,000	16,000		6,000	6,000	8,000	16,000	
EMUL36HPJ132OA	9K+9K+18K+18K	6,000	6,000	12,000	12,000		6,000	6,000	12,000	12,000	
EMUL36HPJ132OA	9K+12K+12K+12K	7,200	9,600	9,600	9,600		7,200	9,600	9,600	9,600	
EMUL36HPJ132OA	9K+12K+12K+18K	6,353	8,471	8,471	12,706		6,353	8,471	8,471	12,706	
EMUL36HPJ132OA	12K+12K+12K+12K	9,000	9,000	9,000	9,000		9,000	9,000	9,000	9,000	
EMUL36HPJ132OA	12K+12K+12K+18K	8,000	8,000	8,000	12,000		8,000	8,000	8,000	12,000	

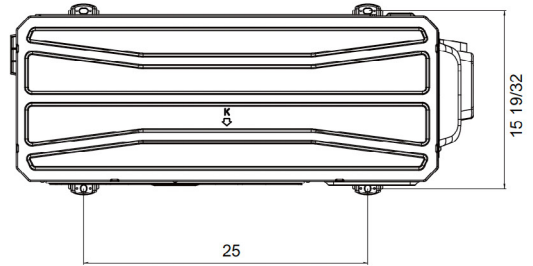
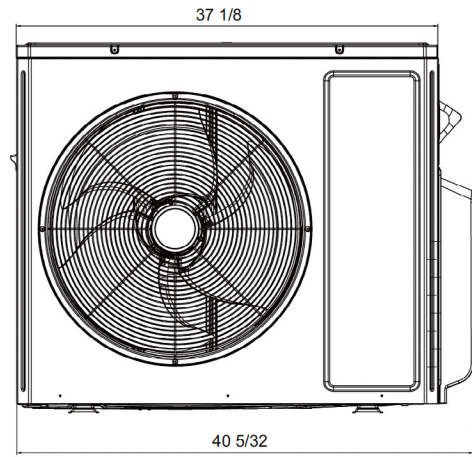
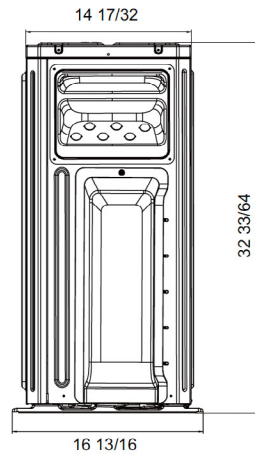
## DIMENSIONS

### OUTDOOR UNIT

Unit: inch

EMUL36HPJ1320A

DIMENSIONS

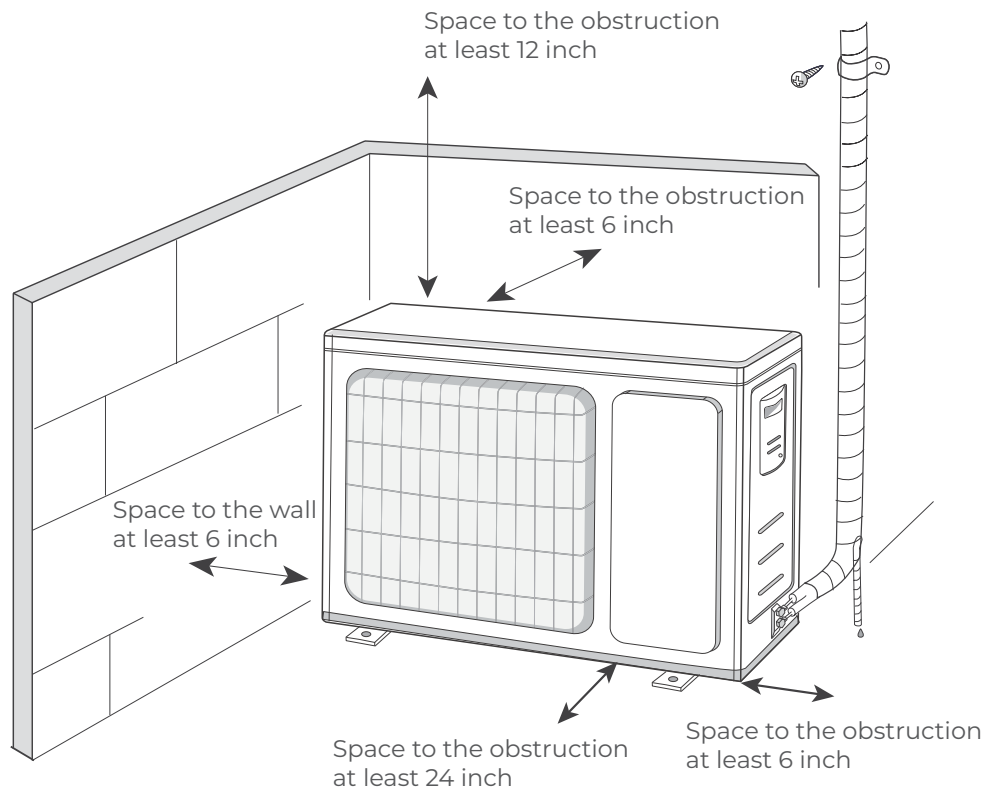
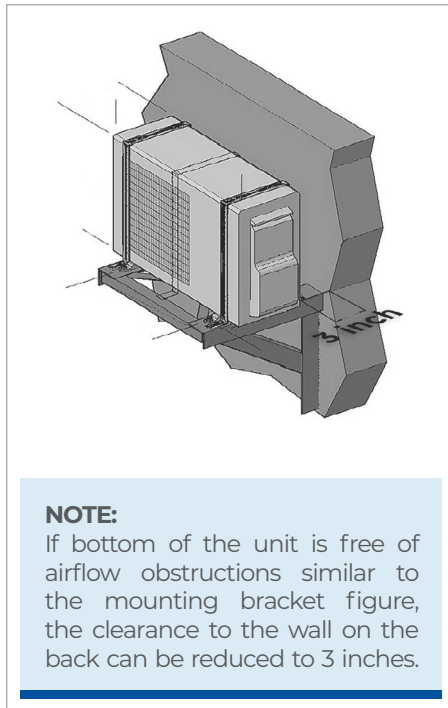


Unit: inch

## CLEARANCES

### OUTDOOR UNIT

Minimum clearance



Specifications are subject to change without notice. Manufacturer reserves the right to discontinue or modify specifications or designs without notice or without incurring obligations. All Rights reserved.

[BOREALHEATPUMP.COM](http://BOREALHEATPUMP.COM)