

SUBMITTAL DATA

EMUL30HPJ1320A
30000 BTU/H Multi Zone Heat Pump System

Job Name

Purchaser

Submitted to

Unit Designation

Location

Date

Engineer

For

Schedule No.



GENERAL FEATURES

- AHRI Certificate: [218394249](#) (Non-Ducted) • Auto Restart on Power Outages
- [218394254](#) (Ducted) • Multi-point Diagnostics
- [218394260](#) (Mixed) • Cooling down to 5°F (Range 5°F to 118°F)
- High Efficiency DC Inverter Technology • Heating down to 5°F (Range 5°F to 75°F)
- Compact and Quiet Design • Coil (Indoor and Outdoor) Copper Tube / Aluminum Fin
- Blue Colored Fin - 500 Hrs Salt Spray Tested

MULTI-ZONE COMPATIBILITY CHART

WALL MOUNT OPTIONS

MULTI ZONE R32					
	EMUL18HPJ132OA	EMUL24HPJ132OA	EMUL30HPJ132OA	EMUL36HPJ132OA	EMUL42HPJ132OA
BRISA R32					
System Model no.					
BRS05HPJ132IA	•	•	•	•	•
BRS07HPJ132IA	•	•	•	•	•
BRS09HPJ132IA	•	•	•	•	•
BRS12HPJ132IA	•	•	•	•	•
BRS18HPJ132IA		•	•	•	•
BRS24HPJ132IA			•	•	•
BRS30HPJ132IA					
BRS36HPJ132IA					
VENTO R32					
System Model no.					
VEN09HPJ132IA	•				
VEN12HPJ132IA	•				
NOVO R32					
System Model no.					
NOV09HPJ132IA	•	•	•	•	•
NOV12HPJ132IA	•	•	•	•	•
NOV18HPJ132IA		•	•	•	•
NOV24HPJ132IA			•	•	•

ADDITIONAL INDOOR UNIT OPTIONS

MULTI ZONE R32					
	EMUL18HPJ132OA	EMUL24HPJ132OA	EMUL30HPJ132OA	EMUL36HPJ132OA	EMUL42HPJ132OA
ONE WAY CASSETTE					
System Model no.					
OWC09HPJ132IA	•	•	•	•	•
OWC12HPJ132IA	•	•	•	•	•
OWC18HPJ132IA			•	•	•
OWC20HPJ132IA				•	•
360° CEILING CASSETTE					
System Model no.					
CAS09HPJ132IA	•	•	•	•	•
CAS12HPJ132IA	•	•	•	•	•
CAS18HPJ132IA			•	•	•
CAS24HPJ132IA				•	•
CAS30HPJ132IA					
CAS36HPJ132IA					
SLIM DUCT					
System Model no.					
DUC09HPJ132IA	•	•	•	•	•
DUC12HPJ132IA	•	•	•	•	•
DUC18HPJ132IA			•	•	•
DUC24HPJ132IA				•	•
DUC30HPJ132IA					
DUC36HPJ132IA					
FLOOR/CEILING					
System Model no.					
FLR09HPJ132IA	•	•	•	•	•
FLR12HPJ132IA	•	•	•	•	•
FLR18HPJ132IA			•	•	•
FLR24HPJ132IA				•	•
FLR30HPJ132IA					
FLR36HPJ132IA					
MINI CONSOLE					
System Model no.					
CON09HPJ132IA	•	•	•	•	•
CON12HPJ132IA	•	•	•	•	•
CON18HPJ132IA			•	•	•
AIR HANDLER					
System Model no.					
VAH12HPJ132IA	•	•	•	•	•
VAH18HPJ132IA			•	•	•
VAH24HPJ132IA				•	•

NOTE: R32 Indoor units are only compatible with R32 Outdoor units. Keep in mind, line set is always sized by the indoor unit valve diameter.

SPECIFICATIONS, FEATURES & FUNCTION SUMMARY

SYSTEM TYPE		HEAT PUMP	
Outdoor Model		EMUL30HPJ1320A	
Number of Zones		2 - 4	
SYSTEM PERFORMANCE (Non-Ducted Indoor Units)			
Cooling Capacity	Min - Max	Btu/h	8,190 - 31,400
	Rated Capacity @95°F	Btu/h	28,400
Heating Capacity	Min - Max	Btu/h	8,190 - 40,900
	Rated Capacity @47°F	Btu/h	30,000
	Rated Capacity @17°F	Btu/h	25,600
	Rated Capacity @5°F	Btu/h	21,000
SEER2		17	
EER2		11.1	
HSPF2		8.5	
COP @5°F		1.90	
SYSTEM PERFORMANCE (Ducted Indoor Units)			
Cooling Capacity	Min - Max	Btu/h	8,190 - 31,400
	Rated Capacity @95°F	Btu/h	28,400
Heating Capacity	Min - Max	Btu/h	8,190 - 40,900
	Rated Capacity @47°F	Btu/h	30,000
	Rated Capacity @17°F	Btu/h	21,000
	Rated Capacity @5°F	Btu/h	18,000
SEER2		17.0	
EER2		10.5	
HSPF2		7.5	
COP @5°F		1.70	
SYSTEM PERFORMANCE (Mixed Ducted and Non-Ducted Indoor Units)			
Cooling Capacity	Min - Max	Btu/h	8,190 - 31,400
	Rated Capacity @95°F	Btu/h	28,400
Heating Capacity	Min - Max	Btu/h	8,190 - 40,900
	Rated Capacity @47°F	Btu/h	30,000
	Rated Capacity @17°F	Btu/h	22,000
	Rated Capacity @5°F	Btu/h	19,500
SEER2		17.0	
EER2		10.8	
HSPF2		8.0	
COP @5°F		1.80	
OUTDOOR UNIT		EMUL30HPJ1320A	
Cooling Temperature Range	°F	5 - 118	
Heating Temperature Range	°F	5 - 75	
Refrigerant Type		R32	
Compressor Type		G-20 / Double Cylinder / 1 - STAGE INVERTER	
Sound Pressure Level	dB(A)	55	
External Dimensions (W x H x D)	in	37-61/64 x 25-63/64 x 15-53/64	
Package Dimension (W x H x D)	in	40-5/8 x 29-1/64 x 17-61/64	
Net Weight	lbs	114.7	
Gross Weight	lbs	124.6	
REFRIGERANT PIPING			

Refrigerant Charge - R32	oz	63.5
Compressor Type		G-20 / Double Cylinder / 1 - STAGE INVERTER
Additional Charge	oz/ft	0.2
Port Size (Liquid - Gas)	Port A (in)	1/4 - 3/8
	Port B (in)	1/4 - 3/8
	Port C (in)	1/4 - 3/8
	Port D (in)	1/4 - 3/8
	Port E (in)	
Pre-Charge Length	ft	98
Pipe Length (Min - Max)	ft	10 - 197
Pipe Length to furthest Indoor Unit	ft	66
Max. Pipe Elevation	ft	49
ELECTRICAL		
Power Supply		208-230V / 1Ph / 60Hz
Voltage Range (Min - Max)	VAC	187 - 253
Rated Current - Cooling	A	14.2
Rated Current - Heating	A	15
MOCP	A	25
MCA	A	22
Main Power Wire Size	AWG	Per Local Code
Interconnecting Wire Size	AWG	14 / 4
FEATURES & FUNCTIONS SUMMARY		
Inverter Type		G20
Ultra Low Frequency Torque Control		Yes
Compressor Type - Inverter		Yes
Basepan With Electric Heater		No
Indoor & Outdoor Fin Coating (Blue Fin)		Yes
Intelligent Defrosting		Yes
Intelligent Preheating		Yes
Low Voltage Startup		Yes
Memory/Power Failure Recovery		Yes
Self Diagnosis		Yes

ALLOWABLE COMBINATIONS CAPACITIES

MODEL NUMBER	POSSIBLE COMBINATIONS*	COOLING CAPACITY (Btu/h)					HEATING CAPACITY (Btu/h)				
		ZONE1	ZONE2	ZONE3	ZONE4	ZONE5	ZONE1	ZONE2	ZONE3	ZONE4	ZONE5
EMUL30HPJ132OA	5K+12K	5,000	12,000				5,000	12,000			
EMUL30HPJ132OA	5K+18K	5,000	18,000				5,000	18,000			
EMUL30HPJ132OA	5K+24K	5,000	24,000				5,000	24,000			
EMUL30HPJ132OA	7K+9K	7,000	9,000				7,000	9,000			
EMUL30HPJ132OA	7K+12K	7,000	12,000				7,000	12,000			
EMUL30HPJ132OA	7K+18K	7,000	18,000				7,000	18,000			
EMUL30HPJ132OA	7K+24K	6,774	23,226				6,774	23,226			
EMUL30HPJ132OA	9K+9K	9,000	9,000				9,000	9,000			
EMUL30HPJ132OA	9K+12K	9,000	12,000				9,000	12,000			
EMUL30HPJ132OA	9K+18K	9,000	18,000				9,000	18,000			
EMUL30HPJ132OA	9K+24K	7,745	20,655				8,182	21,818			
EMUL30HPJ132OA	12K+12K	12,000	12,000				12,000	12,000			
EMUL30HPJ132OA	12K+18K	11,360	17,040				12,000	18,000			
EMUL30HPJ132OA	12K+24K	9,467	18,933				10,000	20,000			
EMUL30HPJ132OA	18K+18K	14,200	14,200				15,000	15,000			
EMUL30HPJ132OA	18K+24K	12,171	16,229				12,857	17,143			
EMUL30HPJ132OA	5K+5K+5K	5,000	5,000	5,000			6,000	6,000	6,000		
EMUL30HPJ132OA	7K+7K+7K	7,000	7,000	7,000			8,000	8,000	8,000		
EMUL30HPJ132OA	5K+5K+7K	5,000	5,000	6,000			6,000	6,000	8,000		
EMUL30HPJ132OA	5K+7K+7K	5,000	7,000	7,000			6,000	8,000	8,000		
EMUL30HPJ132OA	5K+5K+9K	5,000	5,000	9,000			5,000	5,000	9,000		
EMUL30HPJ132OA	5K+5K+12K	5,000	5,000	12,000			5,000	5,000	12,000		
EMUL30HPJ132OA	5K+5K+18K	5,000	5,000	18,000			5,000	5,000	18,000		
EMUL30HPJ132OA	5K+5K+24K	4,412	4,412	21,176			4,412	4,412	21,176		
EMUL30HPJ132OA	5K+7K+9K	5,000	7,000	9,000			5,000	7,000	9,000		
EMUL30HPJ132OA	5K+7K+12K	5,000	7,000	12,000			5,000	7,000	12,000		
EMUL30HPJ132OA	5K+7K+18K	5,000	7,000	18,000			5,000	7,000	18,000		
EMUL30HPJ132OA	5K+7K+24K	4,167	5,833	20,000			4,167	5,833	20,000		
EMUL30HPJ132OA	5K+9K+9K	5,000	9,000	9,000			5,000	9,000	9,000		
EMUL30HPJ132OA	5K+9K+12K	5,000	9,000	12,000			5,000	9,000	12,000		
EMUL30HPJ132OA	5K+9K+18K	4,688	8,438	16,875			4,688	8,438	16,875		
EMUL30HPJ132OA	5K+9K+24K	3,947	7,105	18,947			3,947	7,105	18,947		
EMUL30HPJ132OA	5K+12K+12K	5,000	12,000	12,000			5,000	12,000	12,000		
EMUL30HPJ132OA	5K+12K+18K	4,286	10,286	15,429			4,286	10,286	15,429		
EMUL30HPJ132OA	5K+12K+24K	3,659	8,780	17,561			3,659	8,780	17,561		
EMUL30HPJ132OA	5K+18K+18K	3,659	13,171	13,171			3,659	13,171	13,171		
EMUL30HPJ132OA	7K+7K+9K	7,000	7,000	9,000			7,000	7,000	9,000		
EMUL30HPJ132OA	7K+7K+12K	7,000	7,000	12,000			7,000	7,000	12,000		
EMUL30HPJ132OA	7K+7K+18K	6,563	6,563	16,875			6,563	6,563	16,875		
EMUL30HPJ132OA	7K+7K+24K	5,526	5,526	18,947			5,526	5,526	18,947		
EMUL30HPJ132OA	7K+9K+9K	7,000	9,000	9,000			7,000	9,000	9,000		
EMUL30HPJ132OA	7K+9K+12K	7,000	9,000	12,000			7,000	9,000	12,000		
EMUL30HPJ132OA	7K+9K+18K	6,176	7,941	15,882			6,176	7,941	15,882		
EMUL30HPJ132OA	7K+9K+24K	5,250	6,750	18,000			5,250	6,750	18,000		
EMUL30HPJ132OA	7K+12K+12K	6,774	11,613	11,613			6,774	11,613	11,613		
EMUL30HPJ132OA	7K+12K+18K	5,676	9,730	14,595			5,676	9,730	14,595		
EMUL30HPJ132OA	7K+12K+24K	4,884	8,372	16,744			4,884	8,372	16,744		
EMUL30HPJ132OA	7K+18K+18K	4,884	12,558	12,558			4,884	12,558	12,558		

Outdoor Unit & Possible Indoor Unit Combinations with AHRI Certified Performance

*You may substitute the 9K unit with a 5K or 7K High Wall unit, find complete capacity information in the extended ratings chart.

MODEL NUMBER	POSSIBLE COMBINATIONS*	COOLING CAPACITY (Btu/h)					HEATING CAPACITY (Btu/h)				
		ZONE1	ZONE2	ZONE3	ZONE4	ZONE5	ZONE1	ZONE2	ZONE3	ZONE4	ZONE5
EMUL30HPJ132OA	9K+9K+9K	9,000	9,000	9,000			9,000	9,000	9,000		
EMUL30HPJ132OA	9K+9K+12K	8,520	8,520	11,360			9,000	9,000	12,000		
EMUL30HPJ132OA	9K+9K+18K	7,100	7,100	14,200			7,500	7,500	15,000		
EMUL30HPJ132OA	9K+9K+24K	6,086	6,086	16,229			6,429	6,429	17,143		
EMUL30HPJ132OA	9K+12K+12K	7,745	10,327	10,327			8,182	10,909	10,909		
EMUL30HPJ132OA	9K+12K+18K	6,554	8,738	13,108			6,923	9,231	13,846		
EMUL30HPJ132OA	9K+12K+24K	5,680	7,573	15,147			6,000	8,000	16,000		
EMUL30HPJ132OA	9K+18K+18K	5,680	11,360	11,360			6,000	12,000	12,000		
EMUL30HPJ132OA	12K+12K+12K	9,467	9,467	9,467			10,000	10,000	10,000		
EMUL30HPJ132OA	12K+12K+18K	8,114	8,114	12,171			8,571	8,571	12,857		
EMUL30HPJ132OA	5K+5K+7K+24K	3,659	3,659	5,122	17,561		3,659	3,659	5,122	17,561	
EMUL30HPJ132OA	5K+5K+9K+9K	5,000	5,000	9,000	9,000		5,000	5,000	9,000	9,000	
EMUL30HPJ132OA	5K+5K+9K+12K	4,839	4,839	8,710	11,613		4,839	4,839	8,710	11,613	
EMUL30HPJ132OA	5K+5K+9K+18K	4,054	4,054	7,297	14,595		4,054	4,054	7,297	14,595	
EMUL30HPJ132OA	5K+5K+9K+24K	3,488	3,488	6,279	16,744		3,488	3,488	6,279	16,744	
EMUL30HPJ132OA	5K+5K+12K+12K	4,412	4,412	10,588	10,588		4,412	4,412	10,588	10,588	
EMUL30HPJ132OA	5K+5K+12K+18K	3,750	3,750	9,000	13,500		3,750	3,750	9,000	13,500	
EMUL30HPJ132OA	5K+5K+18K+18K	3,261	3,261	11,739	11,739		3,261	3,261	11,739	11,739	
EMUL30HPJ132OA	5K+7K+7K+7K	5,000	7,000	7,000	7,000		6,000	8,000	8,000	8,000	
EMUL30HPJ132OA	5K+7K+7K+9K	5,000	7,000	7,000	9,000		5,000	7,000	7,000	9,000	
EMUL30HPJ132OA	5K+7K+7K+12K	4,839	6,774	6,774	11,613		4,839	6,774	6,774	11,613	
EMUL30HPJ132OA	5K+7K+7K+18K	4,054	5,676	5,676	14,595		4,054	5,676	5,676	14,595	
EMUL30HPJ132OA	5K+7K+7K+24K	3,488	4,884	4,884	16,744		3,488	4,884	4,884	16,744	
EMUL30HPJ132OA	5K+7K+9K+9K	5,000	7,000	9,000	9,000		5,000	7,000	9,000	9,000	
EMUL30HPJ132OA	5K+7K+9K+12K	4,545	6,364	8,182	10,909		4,545	6,364	8,182	10,909	
EMUL30HPJ132OA	5K+7K+9K+18K	3,846	5,385	6,923	13,846		3,846	5,385	6,923	13,846	
EMUL30HPJ132OA	5K+7K+9K+24K	3,333	4,667	6,000	16,000		3,333	4,667	6,000	16,000	
EMUL30HPJ132OA	5K+7K+12K+12K	4,167	5,833	10,000	10,000		4,167	5,833	10,000	10,000	
EMUL30HPJ132OA	5K+7K+12K+18K	3,571	5,000	8,571	12,857		3,571	5,000	8,571	12,857	
EMUL30HPJ132OA	5K+9K+9K+9K	4,688	8,438	8,438	8,438		4,688	8,438	8,438	8,438	
EMUL30HPJ132OA	5K+9K+9K+12K	4,286	7,714	7,714	10,286		4,286	7,714	7,714	10,286	
EMUL30HPJ132OA	5K+9K+9K+18K	3,659	6,585	6,585	13,171		3,659	6,585	6,585	13,171	
EMUL30HPJ132OA	5K+9K+12K+12K	3,947	7,105	9,474	9,474		3,947	7,105	9,474	9,474	
EMUL30HPJ132OA	5K+9K+12K+18K	3,409	6,136	8,182	12,273		3,409	6,136	8,182	12,273	
EMUL30HPJ132OA	5K+12K+12K+12K	3,659	8,780	8,780	8,780		3,659	8,780	8,780	8,780	
EMUL30HPJ132OA	7K+7K+7K+7K	7,000	7,000	7,000	7,000		8,000	8,000	8,000	8,000	
EMUL30HPJ132OA	7K+7K+7K+9K	7,000	7,000	7,000	9,000		7,000	7,000	7,000	9,000	
EMUL30HPJ132OA	7K+7K+7K+12K	6,364	6,364	6,364	10,909		6,364	6,364	6,364	10,909	
EMUL30HPJ132OA	7K+7K+7K+18K	5,385	5,385	5,385	13,846		5,385	5,385	5,385	13,846	
EMUL30HPJ132OA	7K+7K+7K+24K	4,667	4,667	4,667	16,000		4,667	4,667	4,667	16,000	
EMUL30HPJ132OA	7K+7K+9K+9K	6,563	6,563	8,438	8,438		6,563	6,563	8,438	8,438	
EMUL30HPJ132OA	7K+7K+9K+12K	6,000	6,000	7,714	10,286		6,000	6,000	7,714	10,286	
EMUL30HPJ132OA	7K+7K+9K+18K	5,122	5,122	6,585	13,171		5,122	5,122	6,585	13,171	
EMUL30HPJ132OA	7K+7K+12K+12K	5,526	5,526	9,474	9,474		5,526	5,526	9,474	9,474	
EMUL30HPJ132OA	7K+7K+12K+18K	4,773	4,773	8,182	12,273		4,773	4,773	8,182	12,273	
EMUL30HPJ132OA	7K+9K+9K+9K	6,176	7,941	7,941	7,941		6,176	7,941	7,941	7,941	
EMUL30HPJ132OA	7K+9K+9K+12K	5,676	7,297	7,297	9,730		5,676	7,297	7,297	9,730	
EMUL30HPJ132OA	7K+9K+9K+18K	4,884	6,279	6,279	12,558		4,884	6,279	6,279	12,558	
EMUL30HPJ132OA	7K+9K+12K+12K	5,250	6,750	9,000	9,000		5,250	6,750	9,000	9,000	
EMUL30HPJ132OA	7K+12K+12K+12K	4,884	8,372	8,372	8,372		4,884	8,372	8,372	8,372	
EMUL30HPJ132OA	9K+9K+9K+9K	7,100	7,100	7,100	7,100		7,500	7,500	7,500	7,500	
EMUL30HPJ132OA	9K+9K+9K+12K	6,554	6,554	6,554	8,738		6,923	6,923	6,923	9,231	
EMUL30HPJ132OA	9K+9K+9K+18K	5,680	5,680	5,680	11,360		6,000	6,000	6,000	12,000	
EMUL30HPJ132OA	9K+9K+12K+12K	6,086	6,086	8,114	8,114		6,429	6,429	8,571	8,571	
EMUL30HPJ132OA	9K+12K+12K+12K	5,680	7,573	7,573	7,573		6,000	8,000	8,000	8,000	

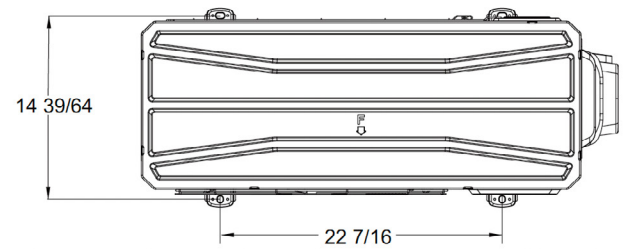
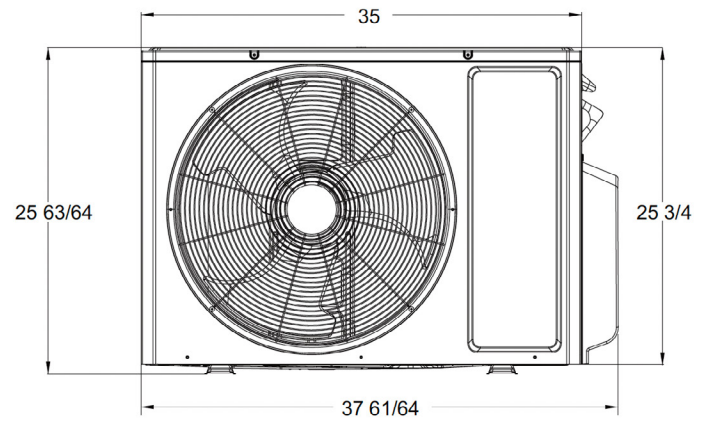
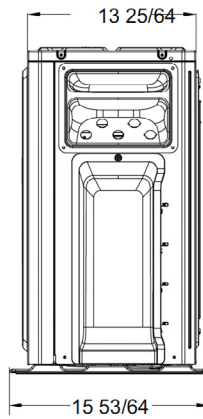
DIMENSIONS

OUTDOOR UNIT

Unit: inch

EMUL30HPJ1320A

DIMENSIONS

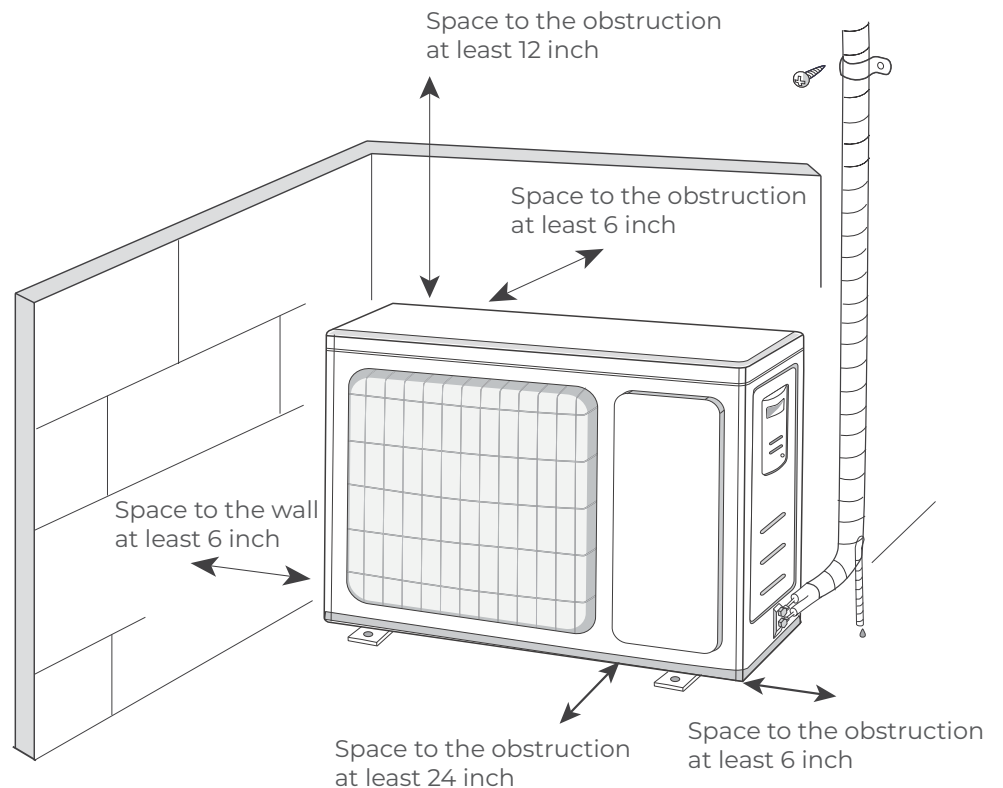
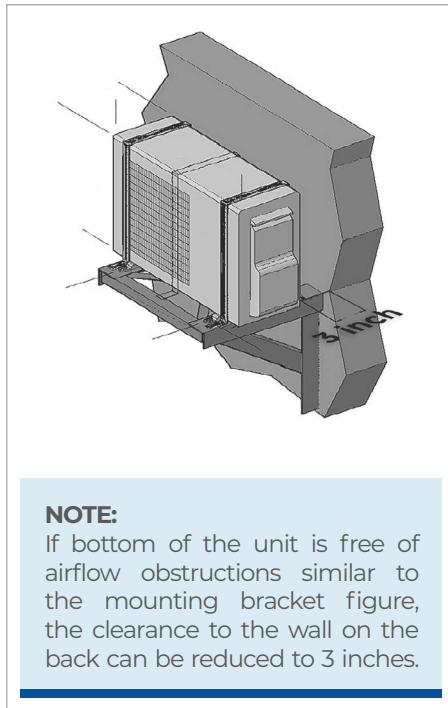


Unit: inch

CLEARANCES

OUTDOOR UNIT

Minimum clearance



Specifications are subject to change without notice. Manufacturer reserves the right to discontinue or modify specifications or designs without notice or without incurring obligations. All Rights reserved.

BOREALHEATPUMP.COM