

SUBMITTAL DATA

EMUL24HPJ1320A
24000 BTU/H Multi Zone Heat Pump System

Job Name

Purchaser

Submitted to

Unit Designation

Location

Date

Engineer

For

Schedule No.



GENERAL FEATURES

- AHRI Certificate: [218394248](#) (Non-Ducted) • Auto Restart on Power Outages
- [218394253](#) (Ducted) • Multi-point Diagnostics
- (Mixed) • Cooling down to 5°F (Range 5°F to 118°F)
- High Efficiency DC Inverter Technology • Heating down to 5°F (Range 5°F to 75°F)
- Compact and Quiet Design • Coil (Indoor and Outdoor) Copper Tube / Aluminum Fin
- • Blue Colored Fin - 500 Hrs Salt Spray Tested

MULTI-ZONE COMPATIBILITY CHART

WALL MOUNT OPTIONS

MULTI ZONE R32					
	EMUL18HPJ132OA	EMUL24HPJ132OA	EMUL30HPJ132OA	EMUL36HPJ132OA	EMUL42HPJ132OA
BRISA R32					
System Model no.					
BRS05HPJ132IA	•	•	•	•	•
BRS07HPJ132IA	•	•	•	•	•
BRS09HPJ132IA	•	•	•	•	•
BRS12HPJ132IA	•	•	•	•	•
BRS18HPJ132IA		•	•	•	•
BRS24HPJ132IA			•	•	•
BRS30HPJ132IA					
BRS36HPJ132IA					
VENTO R32					
System Model no.					
VEN09HPJ132IA	•				
VEN12HPJ132IA	•				
NOVO R32					
System Model no.					
NOV09HPJ132IA	•	•	•	•	•
NOV12HPJ132IA	•	•	•	•	•
NOV18HPJ132IA		•	•	•	•
NOV24HPJ132IA			•	•	•

ADDITIONAL INDOOR UNIT OPTIONS

MULTI ZONE R32					
	EMUL18HPJ132OA	EMUL24HPJ132OA	EMUL30HPJ132OA	EMUL36HPJ132OA	EMUL42HPJ132OA
ONE WAY CASSETTE					
System Model no.					
OWC09HPJ132IA	•	•	•	•	•
OWC12HPJ132IA	•	•	•	•	•
OWC18HPJ132IA			•	•	•
OWC20HPJ132IA				•	•
360° CEILING CASSETTE					
System Model no.					
CAS09HPJ132IA	•	•	•	•	•
CAS12HPJ132IA	•	•	•	•	•
CAS18HPJ132IA			•	•	•
CAS24HPJ132IA				•	•
CAS30HPJ132IA					
CAS36HPJ132IA					
SLIM DUCT					
System Model no.					
DUC09HPJ132IA	•	•	•	•	•
DUC12HPJ132IA	•	•	•	•	•
DUC18HPJ132IA			•	•	•
DUC24HPJ132IA				•	•
DUC30HPJ132IA					
DUC36HPJ132IA					
FLOOR/CEILING					
System Model no.					
FLR09HPJ132IA	•	•	•	•	•
FLR12HPJ132IA	•	•	•	•	•
FLR18HPJ132IA			•	•	•
FLR24HPJ132IA				•	•
FLR30HPJ132IA					
FLR36HPJ132IA					
MINI CONSOLE					
System Model no.					
CON09HPJ132IA	•	•	•	•	•
CON12HPJ132IA	•	•	•	•	•
CON18HPJ132IA			•	•	•
AIR HANDLER					
System Model no.					
VAH12HPJ132IA	•	•	•	•	•
VAH18HPJ132IA			•	•	•
VAH24HPJ132IA				•	•

NOTE: R32 Indoor units are only compatible with R32 Outdoor units. Keep in mind, line set is always sized by the indoor unit valve diameter.

SPECIFICATIONS, FEATURES & FUNCTION SUMMARY

SYSTEM TYPE		HEAT PUMP		REFRIGERANT PIPING					
Outdoor Model		EMUL24HPJ1320A		Refrigerant Charge - R32	oz	59.976			
Number of Zones		2 - 3		Compressor Type		G-20 / Double Cylinder / 1 - STAGE INVERTER			
SYSTEM PERFORMANCE (Non-Ducted Indoor Units)				Additional Charge		oz/ft			
Cooling Capacity	Min - Max	Btu/h	7,500 - 31,400	Port Size (Liquid - Gas)					
	Rated Capacity @95°F	Btu/h	24,000						
Heating Capacity	Min - Max	Btu/h	7,500 - 31,400				Port A (in)	1/4 - 3/8	
	Rated Capacity @47°F	Btu/h	24,000				Port B (in)	1/4 - 3/8	
	Rated Capacity @17°F	Btu/h	19,000				Port C (in)	1/4 - 3/8	
	Rated Capacity @5°F	Btu/h	17,000	Port D (in)					
SEER2		17		Pre-Charge Length		ft			
EER2		11.6		Pipe Length (Min - Max)		ft			
HSPF2		8.5		Pipe Length to furthest Indoor Unit		ft			
COP @5°F		2.0		Max. Pipe Elevation		ft			
SYSTEM PERFORMANCE (Ducted Indoor Units)				ELECTRICAL					
Cooling Capacity	Min - Max	Btu/h	7,500 - 31,400	Power Supply		208-230V / 1Ph / 60Hz			
	Rated Capacity @95°F	Btu/h	24,000	Voltage Range (Min - Max)		VAC			
Heating Capacity	Min - Max	Btu/h	7,500 - 31,400	Rated Current - Cooling		A			
	Rated Capacity @47°F	Btu/h	24,000	Rated Current - Heating		A			
	Rated Capacity @17°F	Btu/h	18,000	MOCP		A			
	Rated Capacity @5°F	Btu/h	14,000	MCA		A			
SEER2		17.0		Main Power Wire Size		AWG			
EER2		11.0		Interconnecting Wire Size		AWG			
HSPF2		7.5		FEATURES & FUNCTIONS SUMMARY					
COP @5°F		1.80		Inverter Type		G20			
SYSTEM PERFORMANCE (Mixed Ducted and Non-Ducted Indoor Units)				Ultra Low Frequency Torque Control					
Cooling Capacity	Min - Max	Btu/h	7,500 - 31,400	Compressor Type - Inverter					
	Rated Capacity @95°F	Btu/h	24,000	Basepan With Electric Heater					
Heating Capacity	Min - Max	Btu/h	7,500 - 31,400	Indoor & Outdoor Fin Coating (Blue Fin)					
	Rated Capacity @47°F	Btu/h	24,000	Intelligent Defrosting					
	Rated Capacity @17°F	Btu/h	19,000	Intelligent Preheating					
	Rated Capacity @5°F	Btu/h	15,500	Low Voltage Startup					
SEER2		17.0		Memory/Power Failure Recovery					
EER2		11.3		Self Diagnosis					
HSPF2		8.0							
COP @5°F		1.90							
OUTDOOR UNIT		EMUL24HPJ1320A							
Cooling Temperature Range		°F	5 - 118						
Heating Temperature Range		°F	5 - 75						
Refrigerant Type		R32							
Compressor Type		G-20 / Double Cylinder / 1 - STAGE INVERTER							
Sound Pressure Level		dB(A)	55						
External Dimensions (W x H x D)		in	37-61/64 x 25-63/64 x 15-53/64						
Package Dimension (W x H x D)		in	40-5/8 x 29-1/64 x 17-61/64						
Net Weight		lbs	106.9						
Gross Weight		lbs	116.9						

ALLOWABLE COMBINATIONS CAPACITIES

MODEL NUMBER	POSSIBLE COMBINATIONS*	COOLING CAPACITY (Btu/h)					HEATING CAPACITY (Btu/h)				
		ZONE1	ZONE2	ZONE3	ZONE4	ZONE5	ZONE1	ZONE2	ZONE3	ZONE4	ZONE5
EMUL24HPJ132OA	5K+7K	5,000	7,000				6,000	8,000			
EMUL24HPJ132OA	5K+9K	5,000	9,000				6,000	9,000			
EMUL24HPJ132OA	5K+12K	5,000	12,000				6,000	12,000			
EMUL24HPJ132OA	5K+18K	5,000	18,000				6,000	18,000			
EMUL24HPJ132OA	7K+7K	7,000	7,000				8,000	8,000			
EMUL24HPJ132OA	7K+9K	7,000	9,000				8,000	9,000			
EMUL24HPJ132OA	7K+12K	7,000	12,000				8,000	12,000			
EMUL24HPJ132OA	7K+18K	6,720	17,280				6,720	17,280			
EMUL24HPJ132OA	9K+9K	9,000	9,000				9,000	9,000			
EMUL24HPJ132OA	9K+12K	9,000	12,000				9,000	12,000			
EMUL24HPJ132OA	9K+18K	8,000	16,000				8,000	16,000			
EMUL24HPJ132OA	12K+12K	12,000	12,000				12,000	12,000			
EMUL24HPJ132OA	12K+18K	9,600	14,400				9,600	14,400			
EMUL24HPJ132OA	18K+18K	12,000	12,000				12,000	12,000			
EMUL24HPJ132OA	5K+5K+5K	5,000	5,000	5,000			6,000	6,000	6,000		
EMUL24HPJ132OA	5K+5K+7K	5,000	5,000	7,000			6,000	6,000	8,000		
EMUL24HPJ132OA	5K+5K+9K	5,000	5,000	9,000			6,000	6,000	9,000		
EMUL24HPJ132OA	5K+5K+12K	5,000	5,000	12,000			6,000	6,000	12,000		
EMUL24HPJ132OA	5K+5K+18K	4,286	4,286	15,428			4,286	4,286	15,428		
EMUL24HPJ132OA	5K+7K+7K	5,000	7,000	7,000			6,000	8,000	8,000		
EMUL24HPJ132OA	5K+7K+9K	5,000	7,000	9,000			6,000	8,000	9,000		
EMUL24HPJ132OA	5K+7K+12K	5,000	7,000	12,000			6,000	8,000	12,000		
EMUL24HPJ132OA	5K+7K+18K	4,000	5,600	14,400			4,000	5,600	14,400		
EMUL24HPJ132OA	5K+9K+9K	5,000	9,000	9,000			6,000	9,000	9,000		
EMUL24HPJ132OA	5K+9K+12K	4,615	8,308	11,077			4,615	8,308	11,077		
EMUL24HPJ132OA	5K+9K+18K	3,750	6,750	13,500			3,750	6,750	13,500		
EMUL24HPJ132OA	5K+12K+12K	4,138	9,931	9,931			4,138	9,931	9,931		
EMUL24HPJ132OA	5K+12K+18K	3,429	8,229	12,343			3,429	8,229	12,343		
EMUL24HPJ132OA	7K+7K+7K	7,000	7,000	7,000			8,000	8,000	8,000		
EMUL24HPJ132OA	9K+9K+9K	8,000	8,000	8,000			8,000	8,000	8,000		
EMUL24HPJ132OA	9K+9K+12K	7,200	7,200	9,600			7,200	7,200	9,600		
EMUL24HPJ132OA	9K+9K+18K	6,000	6,000	12,000			6,000	6,000	12,000		
EMUL24HPJ132OA	9K+12K+12K	6,545	8,727	8,727			6,545	8,727	8,727		
EMUL24HPJ132OA	12K+12K+12K	8,000	8,000	8,000			8,000	8,000	8,000		

Outdoor Unit & Possible Indoor Unit Combinations with AHRI Certified Performance

*You may substitute the 9K unit with a 5K or 7K High Wall unit, find complete capacity information in the extended ratings chart.

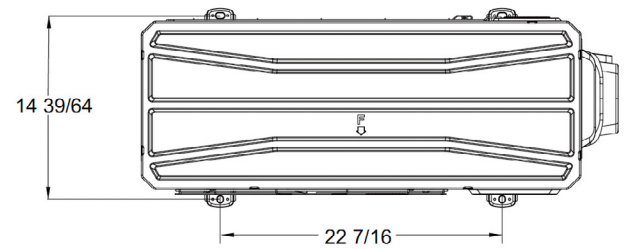
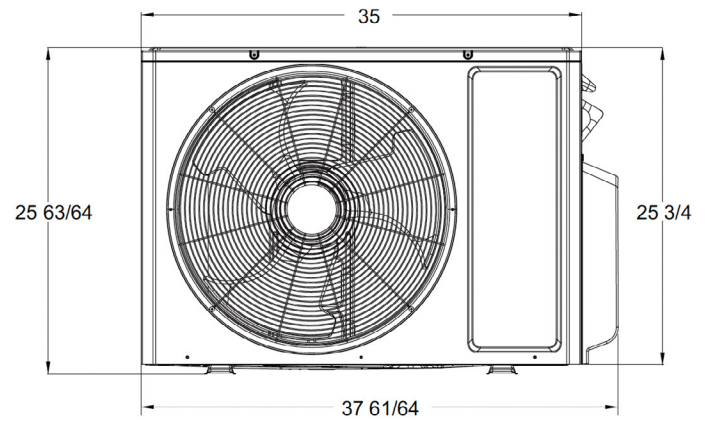
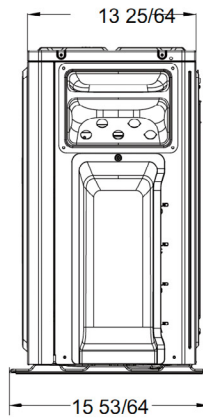
DIMENSIONS

OUTDOOR UNIT

Unit: inch

EMUL24HPJ1320A

DIMENSIONS

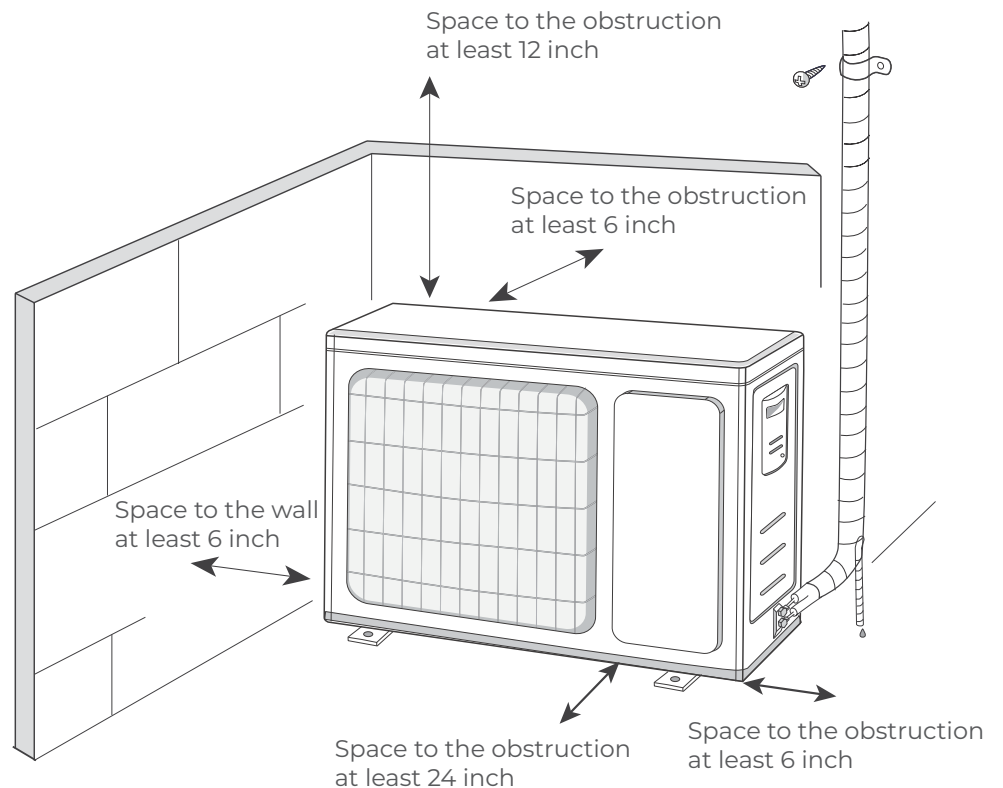
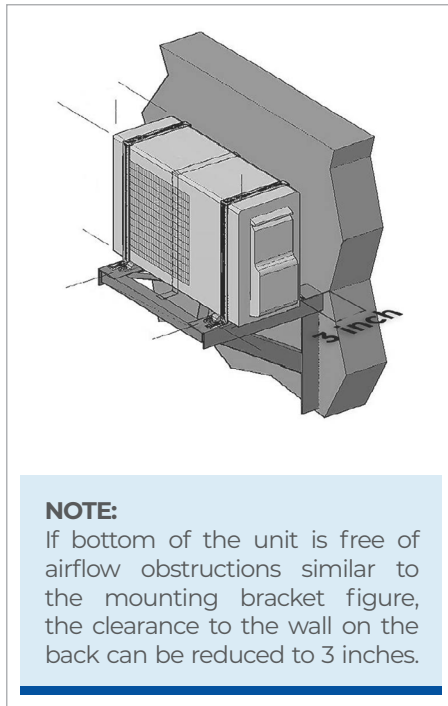


Unit: inch

CLEARANCES

OUTDOOR UNIT

Minimum clearance



Specifications are subject to change without notice. Manufacturer reserves the right to discontinue or modify specifications or designs without notice or without incurring obligations. All Rights reserved.

BOREALHEATPUMP.COM