

## SUBMITTAL DATA

KULA12HPJ1IB / KULA12HPJ1OB  
**12000 BTU/H Wall Mounted Heat Pump System**

Job Name

Purchaser

Submitted to

Unit Designation

Location

Date

Engineer

For

Schedule No.



KULA12HPJ1IB



KULA12HPJ1OB



YAP1F7F



XE71 (Optional)

### GENERAL FEATURES

- AHRI Certificate: [213829843](#)
- High Efficiency DC Inverter Technology
- Compact and Quiet Design
- Auto-Clean Function on Indoor Unit
- Wireless Remote with LCD Display
- Wired Controller Options
- Wi-Fi Included (Factory Installed)
- Low Ambient Cooling down to -20°F (Range -20°F to 122°F)
- Low Ambient Heating down to -22°F (Range -22°F to 86°F)
- Coil (Indoor and Outdoor) Copper Tube / Aluminum Fin
- Blue Colored Fin - 500 Hrs Salt Spray Tested

# SPECIFICATIONS, FEATURES & FUNCTION SUMMARY

## SPECIFICATIONS KULA12HPJ11B / KULA12HPJ10B

System Type HEAT PUMP

### SYSTEM PERFORMANCE

Cooling	Min - Max	Btu/h	3071 - 14098
	Capacity @95°F	Btu/h	12000
Heating	Min - Max	Btu/h	3071 - 15501
	Capacity @5°F	Btu/h	8800
	Capacity @17°F	Btu/h	7000
	Capacity @47°F	W	12000
SEER2			24.0
EER2			12.5
HSPF2			9.0
COP @5°F			1.9
COP @47°F			3.8
Cooling Temperature Range	°F		-20 - 122
Heating Temperature Range	°F		-22 - 86
Refrigerant Type			R410A

### INDOOR UNIT KULA12HPJ11B

Air flow (Min-Max)	CFM	182 - 424
Sound Pressure Level (Min - Max)	dB(A)	27 - 43
Dehumidification	pt/hr	2.96
External Dimensions (WxHxD)	in	32-1/2 x 11-9/16 x 7-3/4
Package Dimension (W x H x D)	in	34-7/16 x 14-3/8 x 10-9/16
Net Weight	lbs	20.9
Gross Weight	lbs	25.4

### OUTDOOR UNIT KULA12HPJ10B

Compressor Type		G-10 / 2 - STAGE INVERTER
Sound Pressure Level	dB(A)	52
External Dimensions (WxHxD)	in	31-5/8 x 21-7/8 x 13-13/16
Package Dimension (W x H x D)	in	34-3/8 x 24-7/16 x 15-11/16
Net Weight	lbs	70.6
Gross Weight	lbs	76.1

### REFRIGERANT PIPING

Refrigerant Charge - R410A	oz	42.3
Additional Charge	oz/ft	0.2
Line Set Size (Liquid - Gas) - Flared Connections	in	1/4 - 1/2
Pre-Charge Length	ft	25
Pipe Length (Min - Max)	ft	10 - 66
Max. Pipe Elevation	ft	40

### ELECTRICAL

Power Supply	208-230V / 1Ph / 60Hz (Powered by the Outdoor Unit)	
Voltage Range (Min - Max)	VAC	187 - 253
Rated Current - Cooling	A	6.3
Rated Current - Heating	A	6.7
MCA	A	10
MOCP	A	15
Suggested Breaker Size	A	10
Main Power Wire Size	AWG	Per Local Code
Interconnecting Wire Size	AWG	14 / 4

## FEATURES & FUNCTIONS SUMMARY KULA12HPJ11B / KULA12HPJ10B

### SYSTEM FEATURES

Inverter Type	G10
Ultra Low Frequency Torque Control	Yes
Power Factor Correction	Yes
Compressor Type - Inverter	High Efficiency Rotary
Basepan With Electric Heater	Yes
Indoor & Outdoor Fin Coating (Blue Fin)	Yes
Intelligent Defrosting	Yes
Intelligent Preheating	Yes
Low Voltage Startup	Yes
Memory/Power Failure Recovery	Yes
Self Diagnosis	Yes
Wired Controller Interface (XE71 or XK76 optional)	Yes
WiFi Included	Yes
NEW! Easy Service Access	Yes
Indoor Fan Type	Crossflow
Multi Fan Speeds	7 Speeds
Indoor Unit Display	Yes
Auxiliary Electrical Heater	No
Ventilation (Outdoor Air)	No

### REMOTE CONTROLLER FUNCTIONS

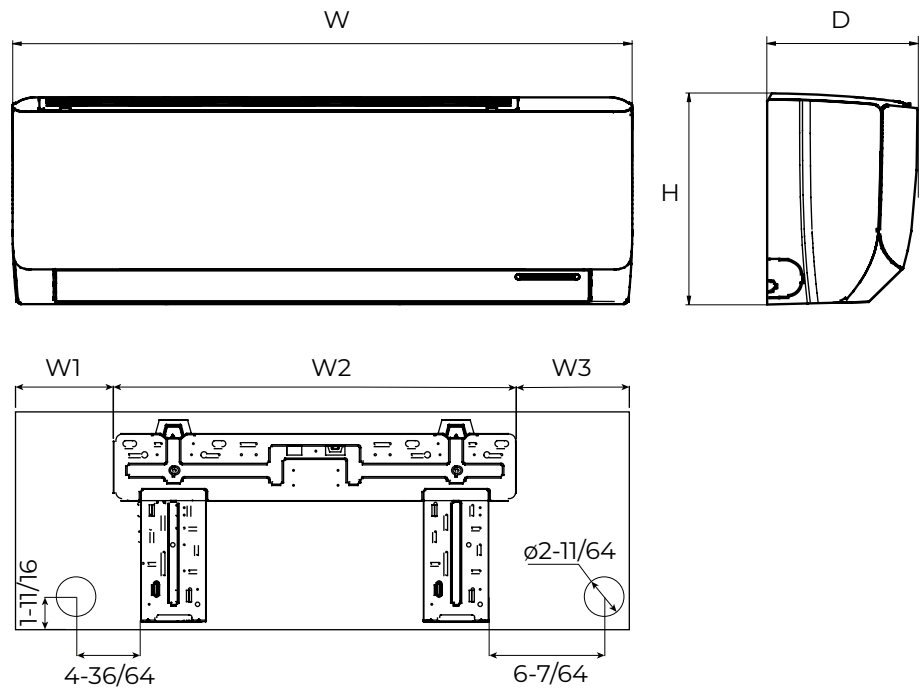
NEW! Auto Clean	Yes
Auto Mode	Yes
Auto Fan	Yes
Auto Swing (Horizontal Auto Swing)	Yes
Auto Swing - 180° (Vertical Auto Swing)	Yes
Clock	Yes
Dry Mode	Yes
Dry Anti-Mildew (X-Fan) Mode	Yes
Energy Saving Mode	Yes
Dirty Filter Alert	No
Fan Speed Control (7 Speeds)	Yes
I Feel Function	Yes
Privacy Lock	Yes
Quiet Mode	Yes
Room Temperature Display	No
Sleep Mode	Yes
3 Sleep Mode Options	Yes
Timer Mode	Yes
Turbo Mode	Yes
Display On/Off Control	Yes
Freeze Guard Mode	Yes
Power Failure Mode	Yes

## DIMENSIONS

### INDOOR UNIT

Unit: inch

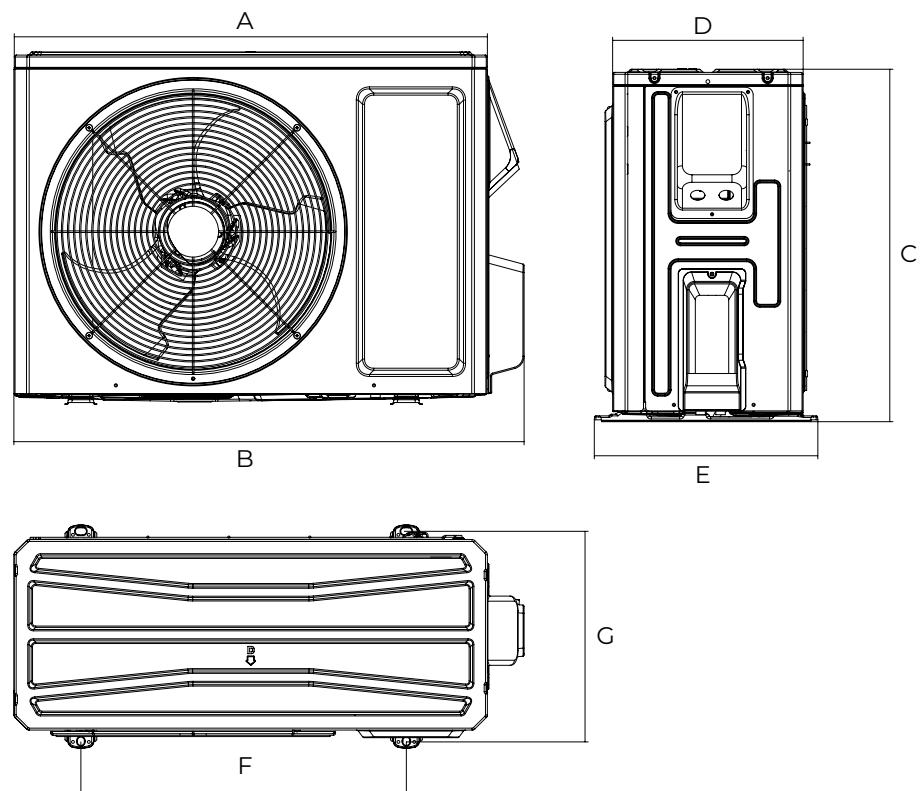
KULA12HPJ1B	
DIMENSIONS	
W	32-31/64
H	11-17/32
D	7-23/32
W1	4-29/64
W2	21-11/32
W3	6-11/16



### OUTDOOR UNIT

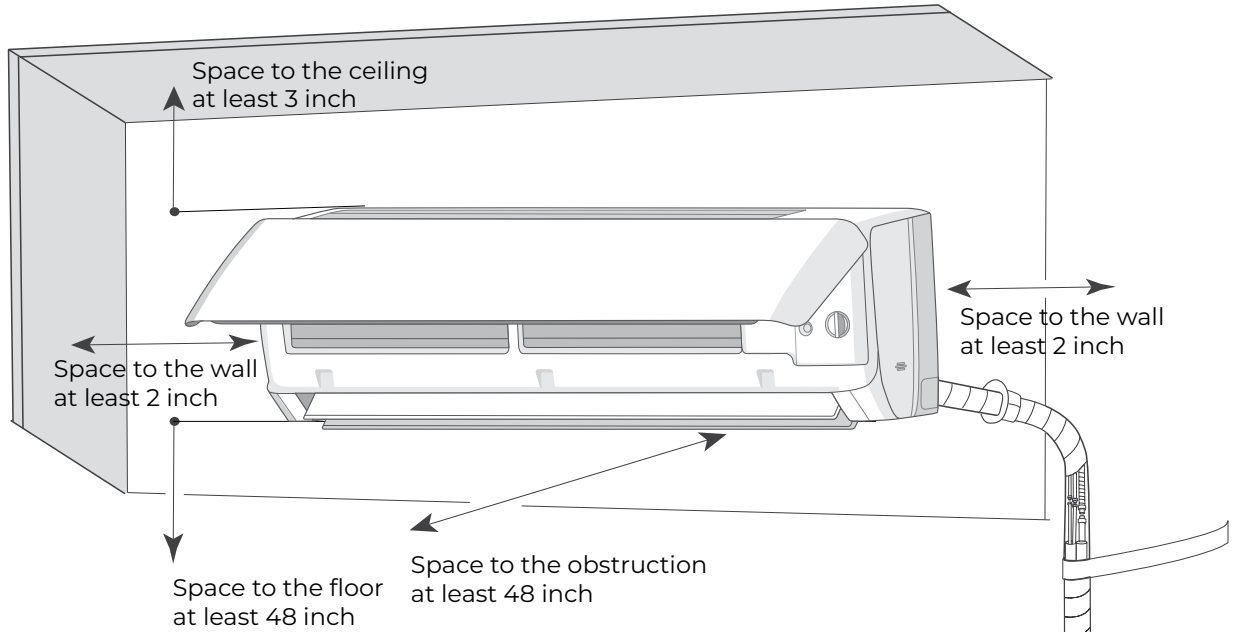
Unit: inch

KULA12HPJ1OB	
DIMENSIONS	
A	29-21/64
B	31-37/64
C	21-27/32
D	11-13/16
E	13-25/32
F	20-5/32
G	13-5/64

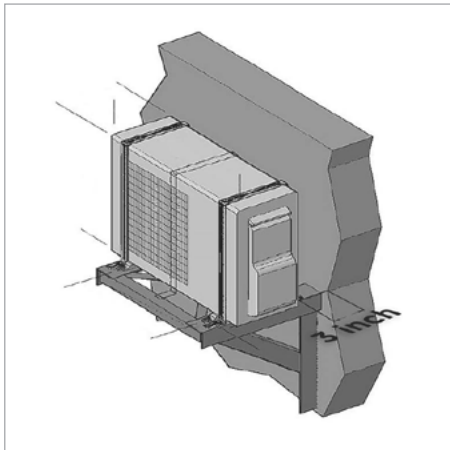


# CLEARANCES

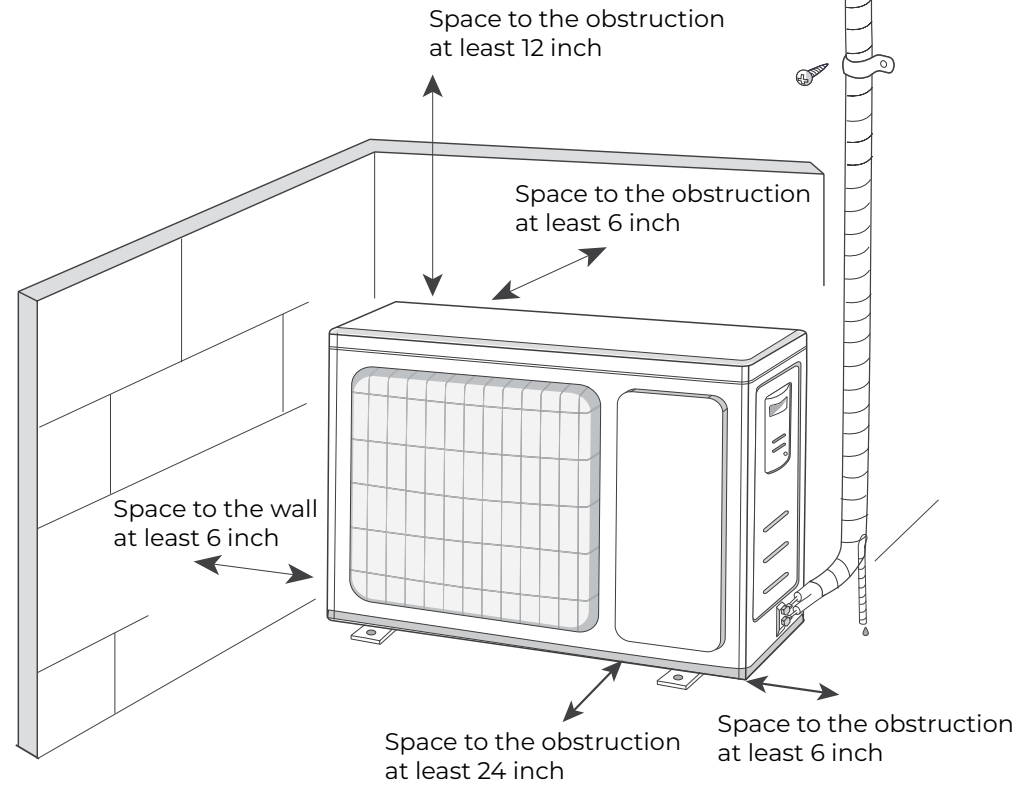
## INDOOR UNIT Minimum clearance



## OUTDOOR UNIT Minimum clearance



**NOTE:**  
If bottom of the unit is free of airflow obstructions similar to the mounting bracket figure, the clearance to the wall on the back can be reduced to 3 inches.



Specifications are subject to change without notice. Manufacturer reserves the right to discontinue or modify specifications or designs without notice or without incurring obligations. All Rights reserved.