

## SUBMITTAL DATA

BCAS18HPJ1CA / KULA18HPJ1OB  
**18000 BTU/H Cassette Heat Pump System**

Job Name

Purchaser

Submitted to

Unit Designation

Location

Date

Engineer

For

Schedule No.



BCAS18HPJ1CA



KULA18HPJ1OB



YAP1FFB



XE71

### GENERAL FEATURES

- AHRI Certificate: -
- High Efficiency DC Inverter Technology
- Compact and Quiet Design
- 4 - Way Discharge Air
- Internal Condensate Drain Pump
- Wireless Remote with LCD Display Included
- Wired Controller Included
- Low Ambient Cooling down to -20°F (Range -20°F to 122°F)
- Low Ambient Heating down to -22°F (Range -22°F to 86°F)
- (Indoor and Outdoor) Copper Tube / Aluminum Fin
- Blue Colored Fin - 500 Hrs Salt Spray Tested

# SPECIFICATIONS, FEATURES & FUNCTION SUMMARY

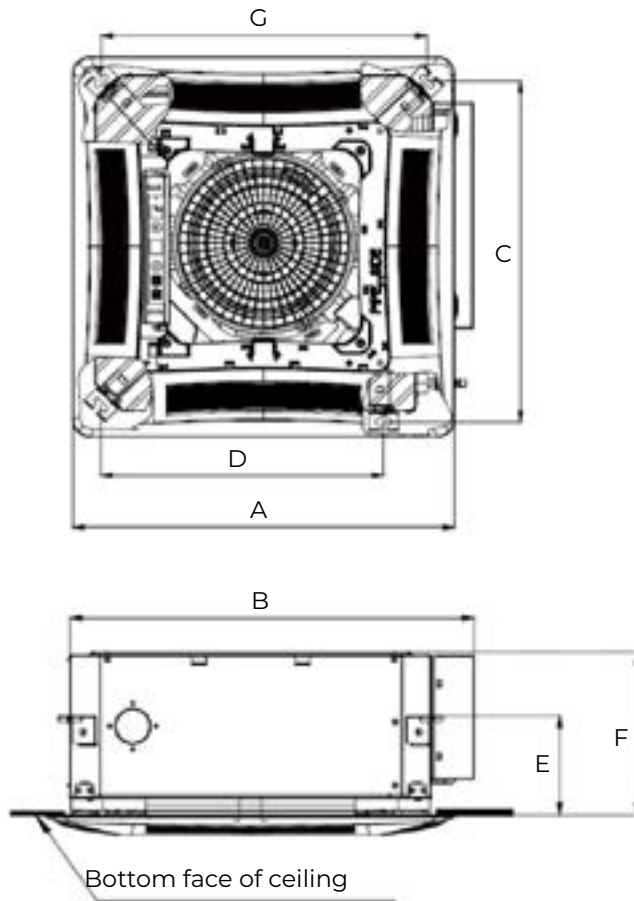
SPECIFICATIONS		BCAS18HPJ1CA / KULA18HPJ1OB		FEATURES & FUNCTIONS SUMMARY		BCAS18HPJ1CA / KULA18HPJ1OB	
System Type		HEAT PUMP					
<b>SYSTEM PERFORMANCE</b>				<b>SYSTEM FEATURES</b>			
Cooling	Min - Max	Btu/h	5100 - 23200	Inverter Type	G10		
	Capacity @95°F	Btu/h	14400	Ultra Low Frequency Torque Control	Yes		
Heating	Min - Max	Btu/h	5800 - 23500	Power Factor Correction	Yes		
	Capacity @5°F	Btu/h		Compressor Type - Inverter	High Efficiency Rotary		
	Capacity @17°F	Btu/h		Basepan With Electric Heater	Yes		
	Capacity @47°F	W	16000	Indoor & Outdoor Fin Coating (Blue Fin)	Yes		
SEER2			19.0	Intelligent Defrosting	Yes		
EER2			10.3	Intelligent Preheating	Yes		
HSPF2			9.5	Low Voltage Startup	Yes		
COP @5°F				Memory/Power Failure Recovery	Yes		
COP @47°F			3.3	Self Diagnosis	Yes		
Cooling Temperature Range	°F		-20 - 122	Wired Controller Interface	Yes		
Heating Temperature Range	°F		-22 - 86	WiFi Included	No		
Refrigerant Type			R410A	Indoor Fan Type	Centrifugal		
<b>INDOOR UNIT</b>		<b>BCAS18HPJ1CA</b>		Multi Fan Speeds	4 Speeds		
Air flow (Min-Max)	CFM	265 - 418		Indoor Unit Display	Yes		
Sound Pressure Level (Min - Max)	dB(A)	35 - 47		Auxiliary Electrical Heater	No		
Dehumidification	pt/hr	3.8		Ventilation (Outdoor Air)	No		
External Dimensions (W x H x D)	in	23-1/2 x 9-1/2 x 23-1/2		<b>REMOTE CONTROLLER FUNCTIONS</b>			
Package Dimension (W x H x D)	in	30-1/2 x 11-1/4 x 29		Auto Mode	Yes		
Net Weight	lbs	56.3		Auto Fan	Yes		
Gross Weight	lbs	67.3		Auto Swing (Horizontal Auto Swing)	No		
<b>CASSETTE GRILLE</b>		<b>BCASGRILLEBSM</b>		Auto Swing (Vertical Auto Swing)	Yes		
Grille Dimension (W x H x D)	in	26-3/8 x 2 x 26-3/8		Clock	Yes		
Package Dimension (W x H x D)	in	30 x 3-1/2 x 30		Dry Mode	Yes		
Weight (Net/Gross)	lbs	7.7/11.0		Dry Anti-Mildew (X-Fan) Mode	Yes		
<b>OUTDOOR UNIT</b>		<b>KULA18HPJ1OB</b>		Energy Saving Mode	Yes		
Compressor Type		GREE G-10 / 2 - STAGE INVERTER		Dirty Filter Alert	No		
Sound Pressure Level	dB(A)	59		Fan Speed Control (7 Speeds)	Yes		
External Dimensions (W x H x D)	in	37-3/4 x 26 x 15-7/8		I Feel Function	Yes		
Package Dimension (W x H x D)	in	40-5/8 x 29-1/16 x 18		Privacy Lock	Yes		
Net Weight	lbs	98.1		Quiet Mode	No		
Gross Weight	lbs	106.9		Room Temperature Display	No		
<b>REFRIGERANT PIPING</b>				Sleep Mode	Yes		
Refrigerant Charge - R410A	oz	54.7		Normal Sleep Mode Options	Yes		
Additional Charge	oz/ft	0.5		Timer Mode	Yes		
Line Set Sized by Indoor Unit (Liquid - Gas)	in	1/4 - 1/2		Turbo Mode	Yes		
Outdoor Service Valve Size (Liquid - Gas)	in	1/4 - 5/8		Display On/Off Control	Yes		
Pre-Charge Length	ft	25		Freeze Guard Mode	Yes		
Pipe Length (Min - Max)	ft	10 - 82		Power Failure Mode	Yes		
Max. Pipe Elevation	ft	33					
<b>ELECTRICAL</b>							
Power Supply	208-230V / 1Ph / 60Hz (Powered by the Outdoor Unit)						
Voltage Range (Min - Max)	VAC	187 - 253					
Rated Current - Cooling	A	11.5					
Rated Current - Heating	A	11.5					
MCA	A	14					
MOCP	A	20					
Suggested Breaker Size	A	15					
Main Power Wire Size	AWG	Per Local Code					
Interconnecting Wire Size	AWG	14 / 4					

## DIMENSIONS

### INDOOR UNIT

Unit: inch

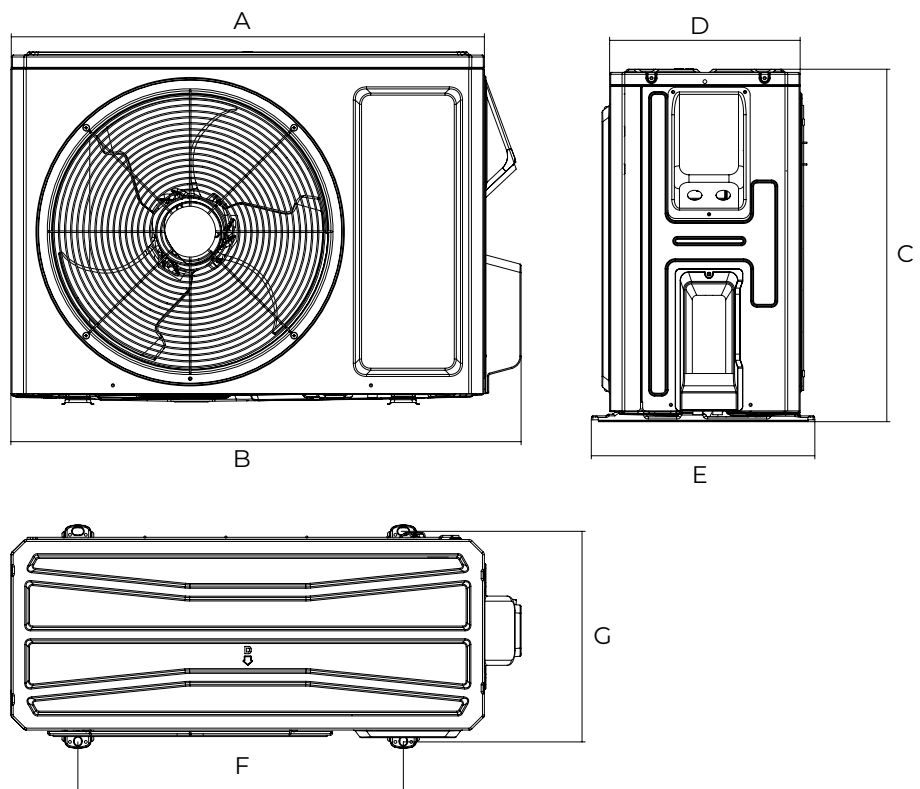
BCAS18HPJCA	
DIMENSIONS	
A	26-3/8
B	26-3/8
C	23-5/8
D	19-1/2
E	5-11/16
F	9-1/2
G	23-1/2



### OUTDOOR UNIT

Unit: inch

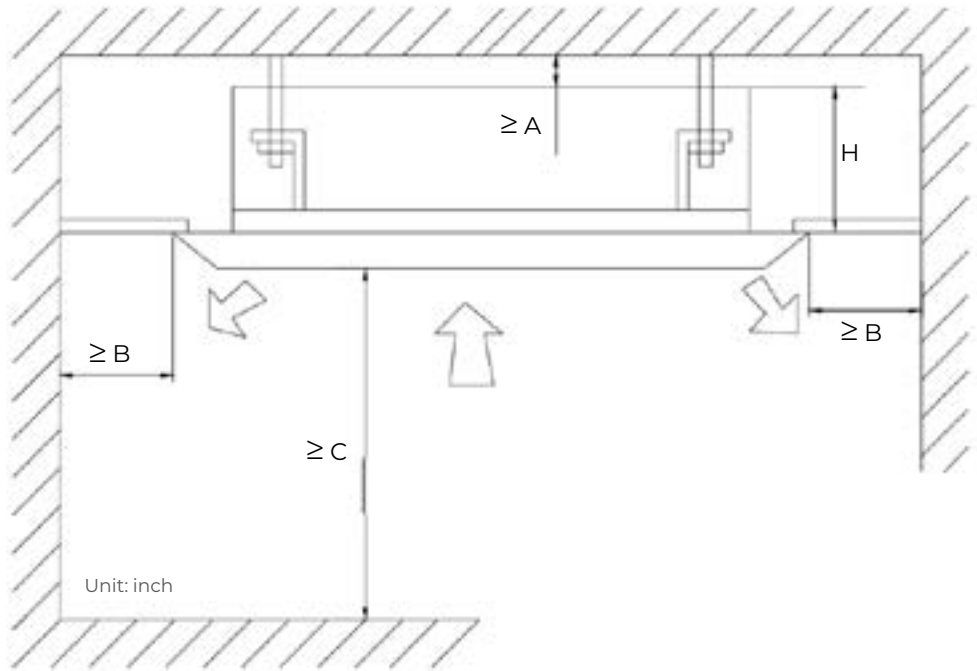
KULA18HPJ10B	
DIMENSIONS	
A	35
B	37-23/32
C	25-63/64
D	13-25/64
E	15-53/64
F	22-7/16
G	14-39/64



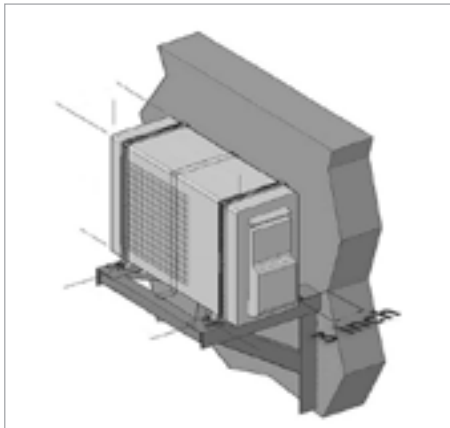
# CLEARANCES

## INDOOR UNIT Minimum clearance

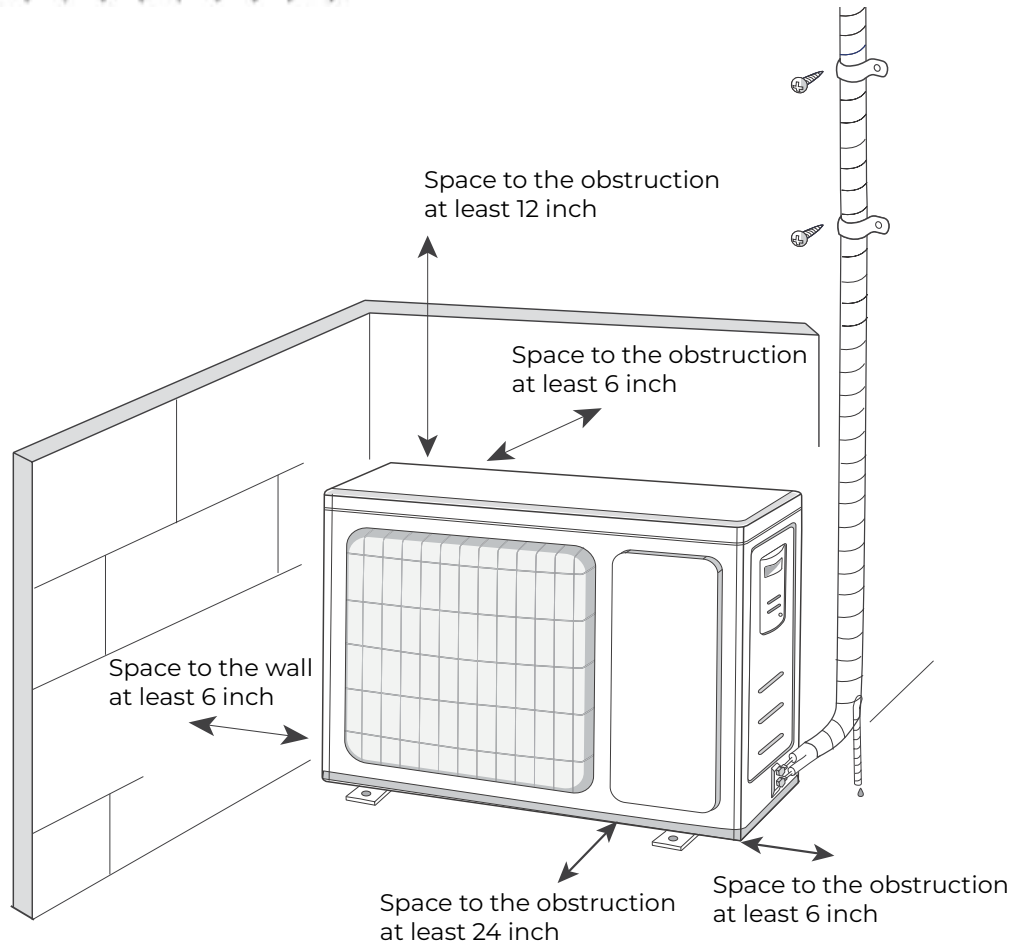
CLEARANCES	
A	7/8
B	60
C	98
H	10



## OUTDOOR UNIT Minimum clearance



**NOTE:**  
If bottom of the unit is free of airflow obstructions similar to the mounting bracket figure, the clearance to the wall on the back can be reduced to 3 inches.



Specifications are subject to change without notice. Manufacturer reserves the right to discontinue or modify specifications or designs without notice or without incurring obligations. All Rights reserved.