

## SUBMITTAL DATA

BRS30HPJ1321A / BRS30HPJ1320A  
30000 BTU/H Wall Mounted Heat Pump System

Job Name

Purchaser

Submitted to

Unit Designation

Location

Date

Engineer

For

Schedule No.



BRS30HPJ1321A



BRS30HPJ1320A



YBE1FB1F



XE71 (Optional)

## GENERAL FEATURES

- AHRI Certificate: [215420693](#)
- New R32 Refrigerant
- High Efficiency DC Inverter Technology
- Compact and Quiet Design
- Wireless Remote with LCD Display
- Wired Controller Options
- Composite Drain Pan
- Wi-Fi Included
- Low Ambient Cooling down to 0°F (Range 0°F to 118°F)
- Low Ambient Heating down to -13°F (Range -13°F to 75°F)
- Coil (Indoor and Outdoor) Copper Tube / Aluminum Fin
- Blue Colored Fin - 500 Hrs Salt Spray Tested

# SPECIFICATIONS, FEATURES & FUNCTION SUMMARY

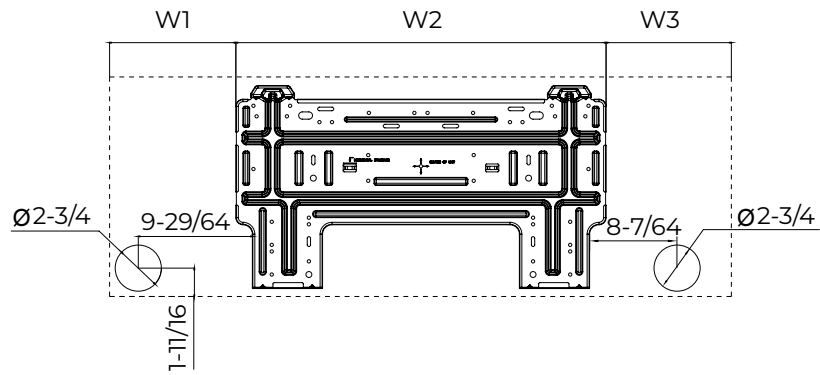
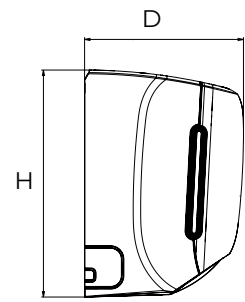
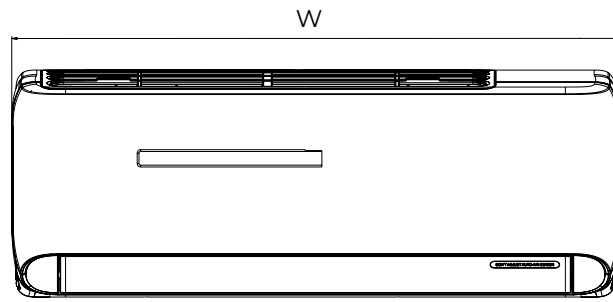
SPECIFICATIONS		BRS30HPJ132IA / BRS30HPJ132OA		FEATURES & FUNCTIONS SUMMARY		BRS30HPJ132IA / BRS30HPJ132OA			
<b>SYSTEM PERFORMANCE</b>									
Cooling Capacity	Min - Max	Btu/h	3,000 - 36,000		Inverter Type			G20	
	Capacity @95°F	Btu/h	30,000		Ultra Low Frequency Torque Control			Yes	
Heating Capacity	Min - Max	Btu/h	5,800 - 35,500		Power Factor Correction			Yes	
	Capacity @47°F	Btu/h	30,000		Compressor Type			High Efficiency Rotary	
	Capacity @17°F	Btu/h	18,800		Basepan With Electric Heater			Yes	
	Capacity Max @5°F	Btu/h	23,000		Compressor With Electric Heater			Yes	
SEER2				22.0		Outdoor Fin Coating (Color:Blue)		Acrylic-Resin/Anti-Corrosive	
EER2				10.9		Intelligent Defrosting		Yes	
HSPF2				9.0		Force Defrosting		Yes	
COP @5°F				1.8		Intelligent Preheating		Yes	
COP @47°F				3.2		Low Voltage Startup		Yes	
Cooling Temperature Range		°F	0 - 118		Memory/Power Failure Recovery			Yes	
Heating Temperature Range		°F	-13 - 75		Self Diagnosis			Yes	
Refrigerant Type				R32		Wired Controller Interface (XE7I)			Yes
<b>INDOOR UNIT</b>				<b>BRS30HPJ132IA</b>					
Air flow (Min - Max)	CFM	441 - 794		WiFi Included				Yes	
Sound Pressure Level (Min - Max)	dB(A)	36 - 52		Indoor Fan Type				Crossflow	
Dehumidification	pt/hr	7.40		Multi Fan Speeds				4 Speeds	
External Dimensions (W x H x D)	in	42-7/16 x 13-7/64 x 9-11/16		Indoor Unit Display				Yes	
Package Dimension (W x H x D)	in	44-39/64 x 16-19/64 x 13-7/64		Auxiliary Electrical Heater				No	
Net Weight	lbs	34.2		Ventilation (Outdoor Air)				No	
Gross Weight	lbs	40.8		<b>REMOTE CONTROLLER FUNCTIONS</b>					
<b>OUTDOOR UNIT</b>				<b>BRS30HPJ132OA</b>					
Sound Pressure Level	dB(A)	62		Auto Mode				Yes	
External Dimensions (W x H x D)	in	39-3/8 x 29-3/8 x 15-13/16		Auto Fan				Yes	
Package Dimension (W x H x D)	in	42-33/64 x 31-57/64 x 19-1/64		Manual Horizontal Swing				Yes	
Net Weight	lbs	116.8		Auto Swing (Vertical Auto Swing)				Yes	
Gross Weight	lbs	127.9		Clock on Remote Controller				Yes	
<b>REFRIGERANT PIPING</b>				Dry Mode				Yes	
Refrigerant Charge	oz	56.4		Dry Anti-Mildew (X-Fan) Mode				Yes	
Additional Charge	oz/ft	0.4		Energy Saving Mode				Yes	
Line Set Size (Liquid - Gas) - Flared Connections	in	1/4 - 5/8		Dirty Filter Alert				No	
Pre-Charge Length	ft	25		I Feel Function				Yes	
Pipe Length (Min - Max)	ft	10 - 131		Lock on Remote Controller				Yes	
Max. Pipe Elevation	ft	82		Quiet Mode				No	
<b>ELECTRICAL</b>				Room Temperature Display				Yes	
Power Supply	208-230V / 1Ph / 60Hz (Powered by the Outdoor Unit)			Sleep Mode				Yes	
Voltage Range (Min - Max)	VAC	187 - 253		Timer Mode				Yes	
Rated Current - Cooling	A	20		Turbo Mode				Yes	
Rated Current - Heating	A	20		Display On/Off Control				Yes	
MCA	A	25.6		Freeze Guard Mode (46°F)				Yes	
MOCP	A	35		Display On/Off Control				Yes	
Suggested Breaker Size	A	30							
Main Power Wire Size	AWG	Per Local Code							
Interconnecting Wire Size	AWG	14 / 4							

# DIMENSIONS

## INDOOR UNIT

Unit: inch

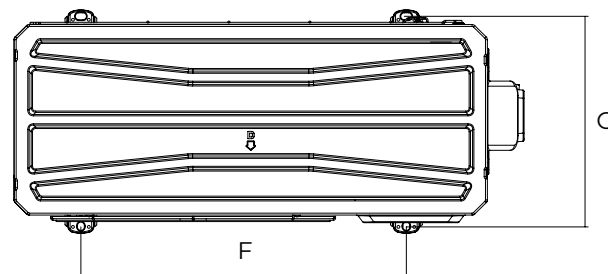
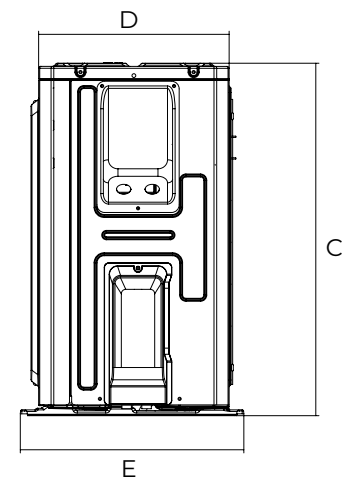
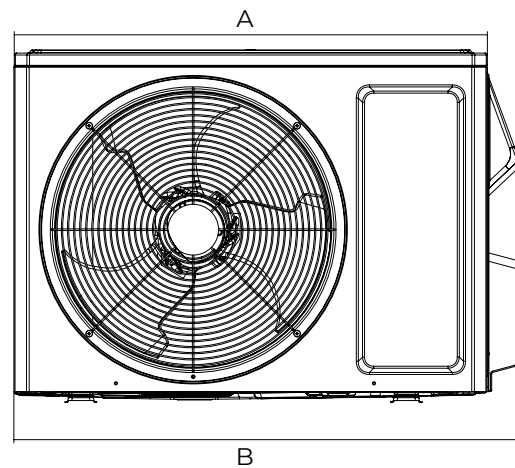
BRS30HPJ1321A	
DIMENSIONS	
W	53-3/16
H	12-13/6
D	9-15/16
W1	13-25/32
W2	29-3/8
W3	10



## OUTDOOR UNIT

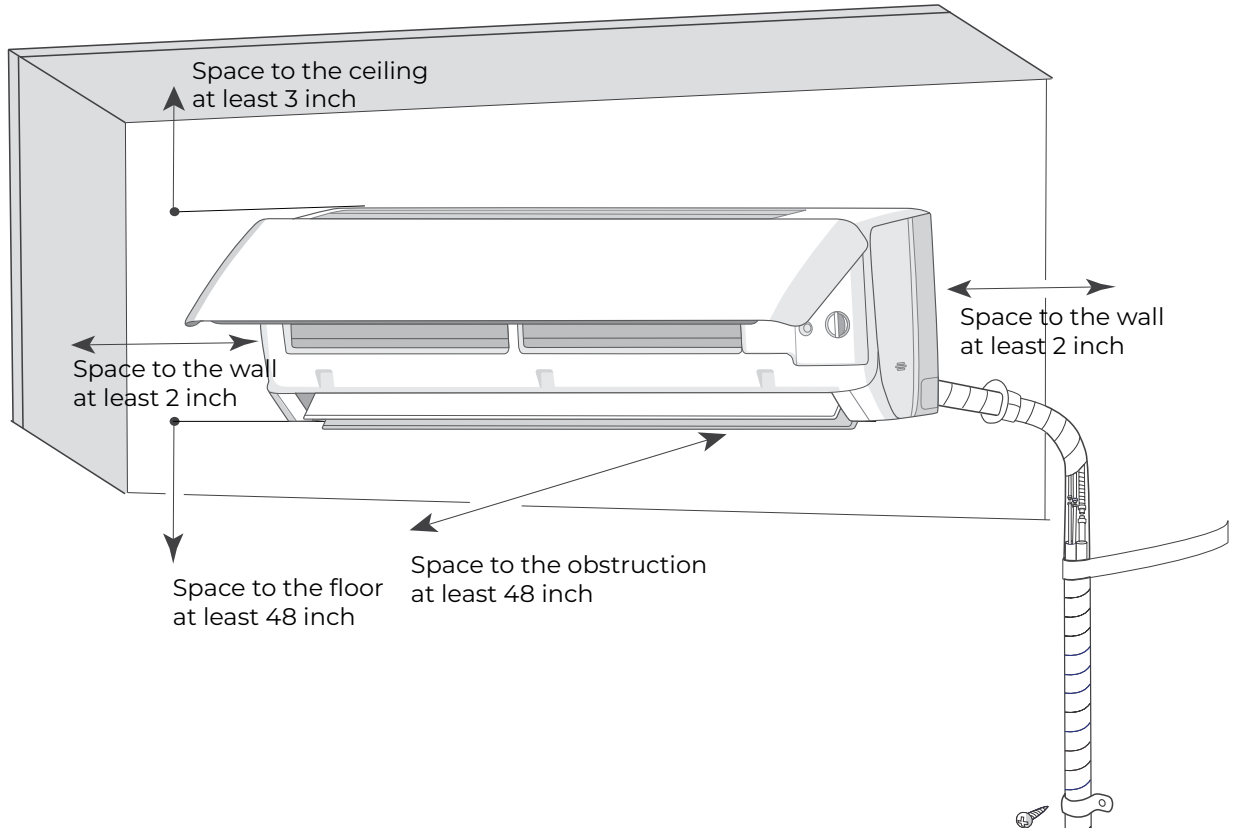
Unit: inch

BRS30HPJ1320A	
DIMENSIONS	
A	36-11/32
B	39-3/8
C	29-3/8
D	14-17/32
E	16-13/16
F	24-1/64
G	15-35/64

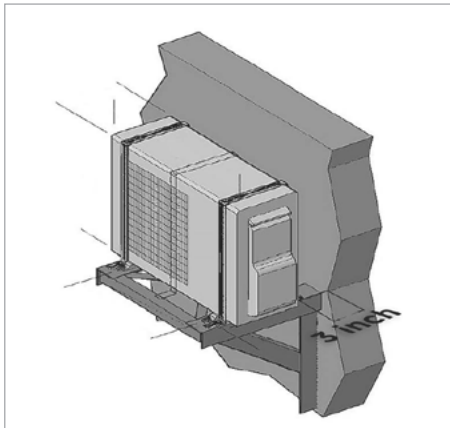


# CLEARANCES

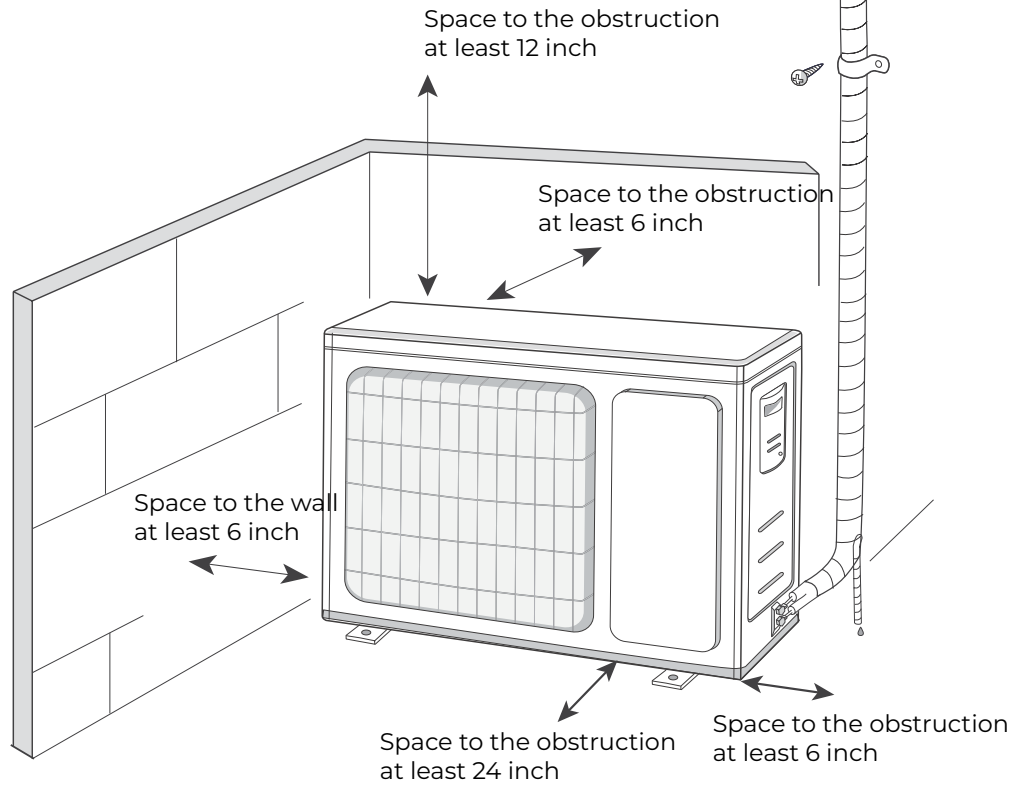
## INDOOR UNIT Minimum clearance



## OUTDOOR UNIT Minimum clearance



**NOTE:**  
If bottom of the unit is free of airflow obstructions similar to the mounting bracket figure, the clearance to the wall on the back can be reduced to 3 inches.



Specifications are subject to change without notice. Manufacturer reserves the right to discontinue or modify specifications or designs without notice or without incurring obligations. All Rights reserved.