





SUBMITTAL DATA

BRS24HPJ1321A / BRS24HPJ1320A
24000 BTU/H Wall Mounted Heat Pump System

| | | |
|------------------|--|---|
| Job Name |  | |
| Purchaser | BRS24HPJ1321A | |
| Submitted to |  | |
| Unit Designation | BRS24HPJ1320A | |
| Location | Date | |
| Engineer | | |
| For |  |  |
| Schedule No. | YBE1FB1F | XE71 (Optional) |

GENERAL FEATURES

- AHRI Certificate: [215420689](#)
- New R32 Refrigerant
- High Efficiency DC Inverter Technology
- Compact and Quiet Design
- Wireless Remote with LCD Display
- Wired Controller Options
- Composite Drain Pan
- Wi-Fi Included
- Low Ambient Cooling down to 0°F (Range 0°F to 118°F)
- Low Ambient Heating down to -13°F (Range -13°F to 75°F)
- Coil (Indoor and Outdoor) Copper Tube / Aluminum Fin
- Blue Colored Fin - 500 Hrs Salt Spray Tested

SPECIFICATIONS, FEATURES & FUNCTION SUMMARY

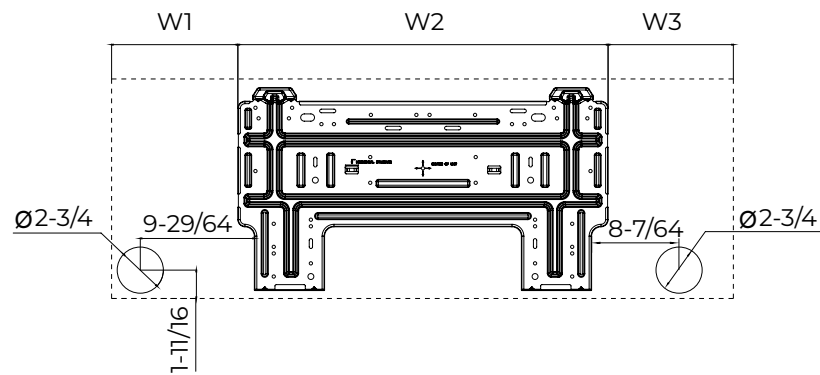
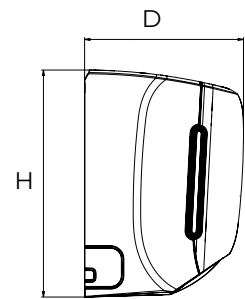
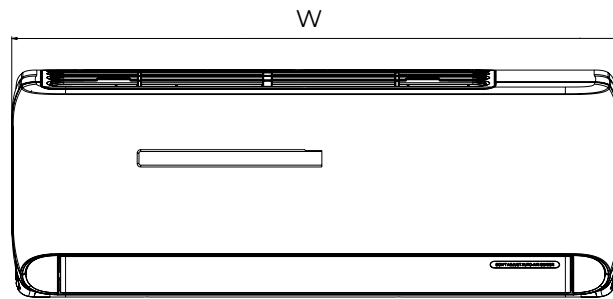
| SPECIFICATIONS | | BRS24HPJ132IA / BRS24HPJ132OA | | FEATURES & FUNCTIONS SUMMARY | | BRS18HPJ132IA / BRS18HPJ132OA | |
|---|-------------------|--------------------------------|---|------------------------------------|------------------------------------|-------------------------------|--|
| SYSTEM PERFORMANCE | | | | | | | |
| Cooling Capacity | Min - Max | Btu/h | 5,800 - 26,270 | | Inverter Type | G20 | |
| | Capacity @95°F | Btu/h | 22,000 | | Ultra Low Frequency Torque Control | Yes | |
| Heating Capacity | Min - Max | Btu/h | 5,400 - 26,600 | | Power Factor Correction | Yes | |
| | Capacity @47°F | Btu/h | 24,000 | | Compressor Type | High Efficiency Rotary | |
| | Capacity @17°F | Btu/h | 15,300 | | Basepan With Electric Heater | Yes | |
| | Capacity Max @5°F | Btu/h | 15,700 | | Compressor With Electric Heater | Yes | |
| SEER2 | | | 19.0 | | Outdoor Fin Coating (Color:Blue) | Acrylic-Resin/Anti-Corrosive | |
| EER2 | | | 11.9 | | Intelligent Defrosting | Yes | |
| HSPF2 | | | 8.5 | | Force Defrosting | Yes | |
| COP @5°F | | | 1.8 | | Intelligent Preheating | Yes | |
| COP @47°F | | | 3.6 | | Low Voltage Startup | Yes | |
| Cooling Temperature Range | °F | 0 - 118 | | Memory/Power Failure Recovery | Yes | | |
| Heating Temperature Range | °F | -13 - 75 | | Self Diagnosis | Yes | | |
| Refrigerant Type | | | R32 | | Wired Controller Interface (XE71) | Yes | |
| INDOOR UNIT | | BRS24HPJ132IA | | WiFi Included | Yes | | |
| Air flow (Min - Max) | CFM | 412 - 677 | | Indoor Fan Type | Crossflow | | |
| Sound Pressure Level (Min - Max) | dB(A) | 36 - 51 | | Multi Fan Speeds | 4 Speeds | | |
| Dehumidification | pt/hr | 5.28 | | Indoor Unit Display | Yes | | |
| External Dimensions (W x H x D) | in | 42-7/16 x 13-7/64 x 9-11/16 | | Auxiliary Electrical Heater | No | | |
| Package Dimension (W x H x D) | in | 44-39/64 x 16-19/64 x 13-7/64 | | Ventilation (Outdoor Air) | No | | |
| Net Weight | lbs | 33.1 | | REMOTE CONTROLLER FUNCTIONS | | | |
| Gross Weight | lbs | 39.7 | | Auto Mode | Yes | | |
| OUTDOOR UNIT | | BRS24HPJ132OA | | Auto Fan | Yes | | |
| Sound Pressure Level | dB(A) | 58 | | Manual Horizontal Swing | Yes | | |
| External Dimensions (W x H x D) | in | 37-23/32 x 25-63/64 x 15-53/64 | | Auto Swing (Vertical Auto Swing) | Yes | | |
| Package Dimension (W x H x D) | in | 40-5/8 x 29-1/64 x 17-61/64 | | Clock on Remote Controller | Yes | | |
| Net Weight | lbs | 93.7 | | Dry Mode | Yes | | |
| Gross Weight | lbs | 103.6 | | Dry Anti-Mildew (X-Fan) Mode | Yes | | |
| REFRIGERANT PIPING | | | | Energy Saving Mode | Yes | | |
| Refrigerant Charge | oz | 42.3 | | Dirty Filter Alert | No | | |
| Additional Charge | oz/ft | 0.1 | | I Feel Function | Yes | | |
| Line Set Size (Liquid - Gas) - Flared Connections | in | 1/4 - 1/2 | | Lock on Remote Controller | Yes | | |
| Pre-Charge Length | ft | 25 | | Quiet Mode | No | | |
| Pipe Length (Min - Max) | ft | 10 - 131 | | Room Temperature Display | Yes | | |
| Max. Pipe Elevation | ft | 82 | | Sleep Mode | Yes | | |
| ELECTRICAL | | | | Timer Mode | Yes | | |
| Power Supply | | | 208-230V / 1Ph / 60Hz (Powered by the Outdoor Unit) | | Turbo Mode | Yes | |
| Voltage Range (Min - Max) | VAC | 187 - 253 | | Display On/Off Control | Yes | | |
| Rated Current - Cooling | A | 11 | | Freeze Guard Mode (46°F) | Yes | | |
| Rated Current - Heating | A | 12 | | Display On/Off Control | Yes | | |
| MCA | A | 15 | | | | | |
| MOCP | A | 20 | | | | | |
| Suggested Breaker Size | A | 15 | | | | | |
| Main Power Wire Size | AWG | Per Local Code | | | | | |
| Interconnecting Wire Size | AWG | 14 / 4 | | | | | |

DIMENSIONS

INDOOR UNIT

Unit: inch

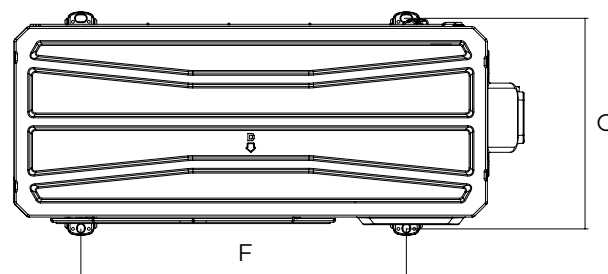
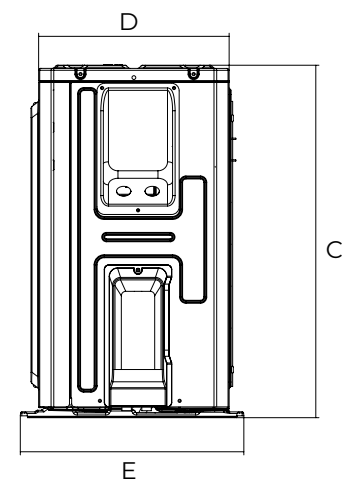
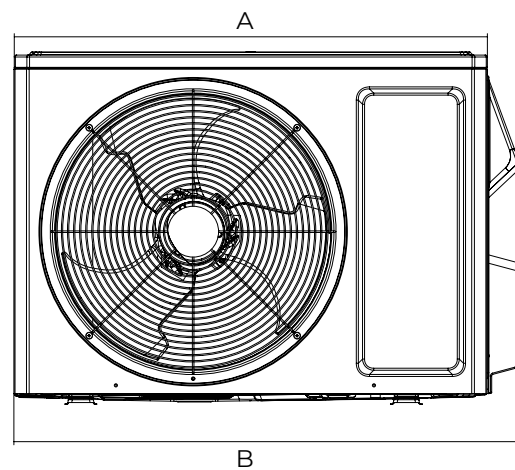
| BRS24HPJ1321A | |
|---------------|---------|
| DIMENSIONS | |
| W | 42-7/16 |
| H | 13-1/8 |
| D | 9-11/16 |
| W1 | 10-3/16 |
| W2 | 22-3/32 |
| W3 | 10-5/32 |



OUTDOOR UNIT

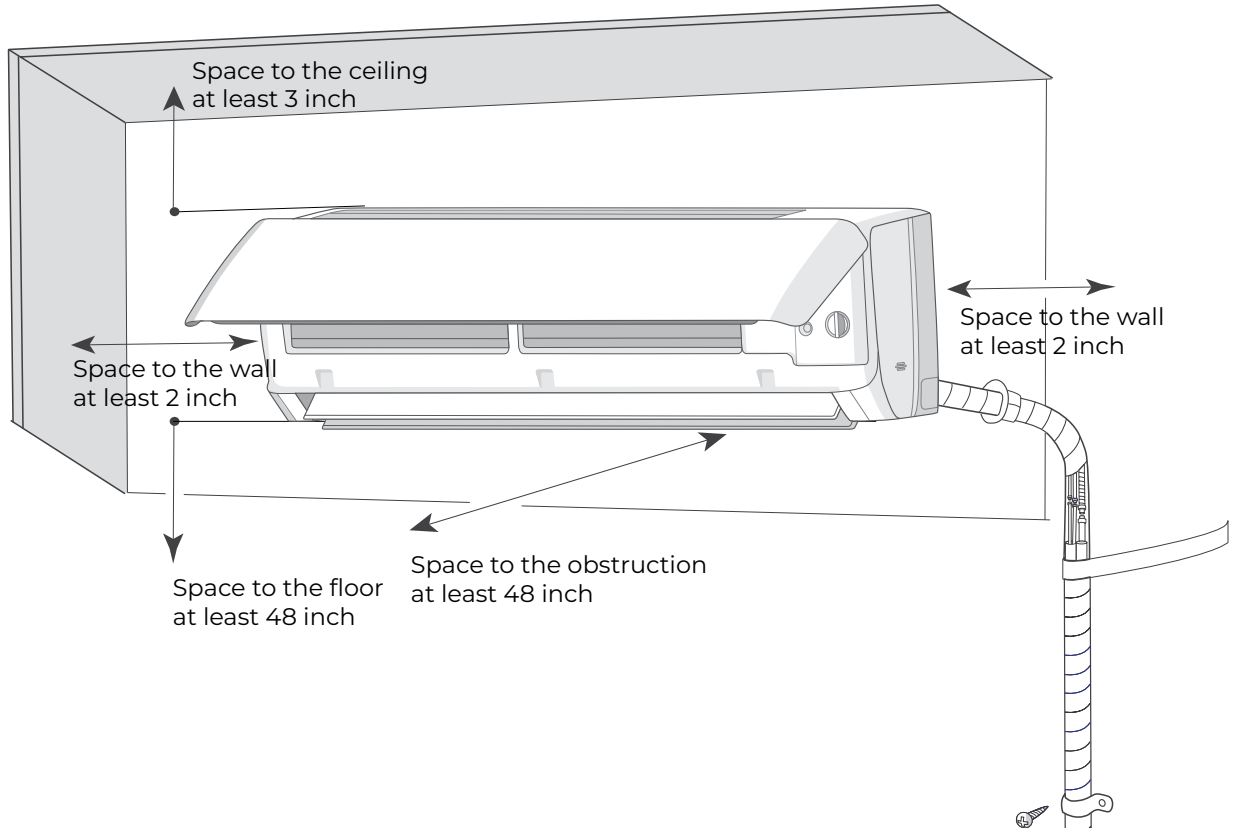
Unit: inch

| BRS24HPJ1320A | |
|---------------|----------|
| DIMENSIONS | |
| A | 35-25/64 |
| B | 37-3/4 |
| C | 26 |
| D | 13-25/64 |
| E | 15-7/8 |
| F | 22-13/32 |
| G | 14-19/32 |

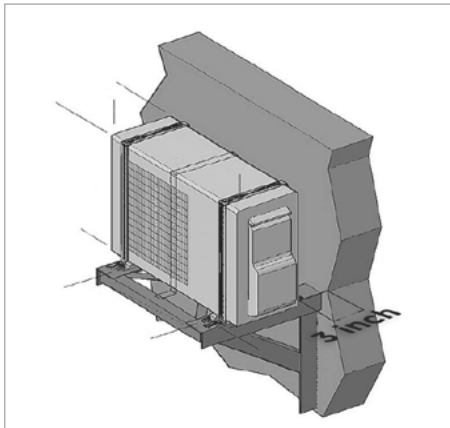


CLEARANCES

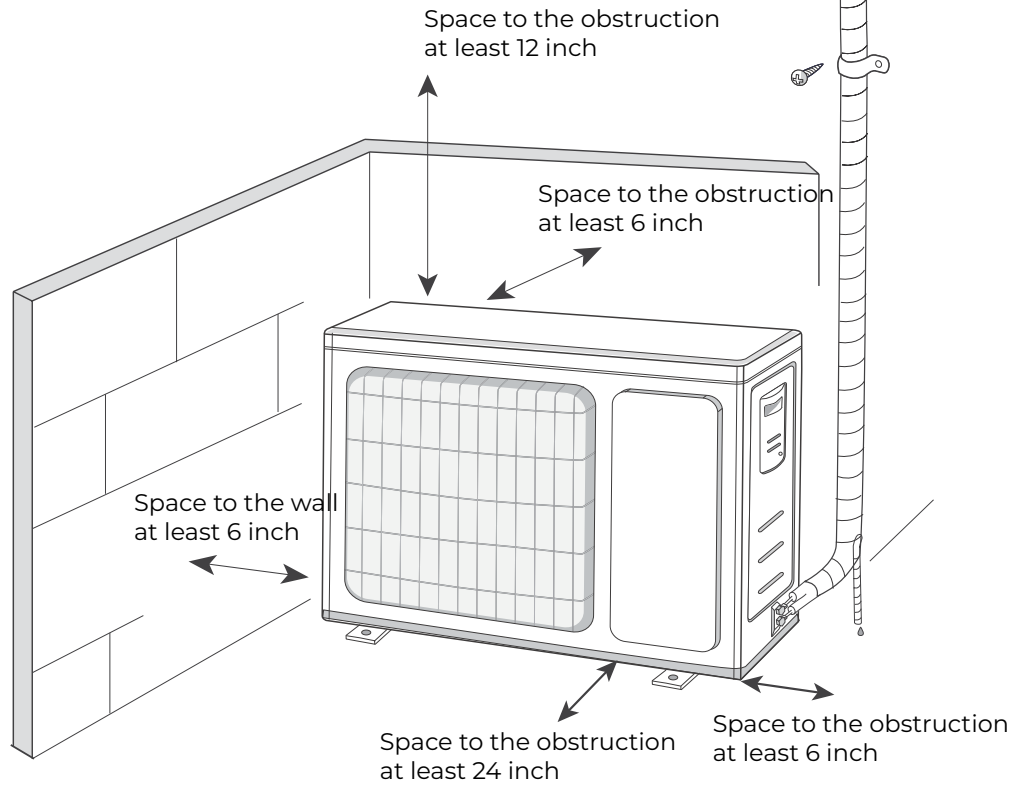
INDOOR UNIT Minimum clearance



OUTDOOR UNIT Minimum clearance



NOTE:
If bottom of the unit is free of airflow obstructions similar to the mounting bracket figure, the clearance to the wall on the back can be reduced to 3 inches.



Specifications are subject to change without notice. Manufacturer reserves the right to discontinue or modify specifications or designs without notice or without incurring obligations. All Rights reserved.