

SUBMITTAL DATA

BRS12HPL132IA / BRS12HPL132OA
12000 BTU/H Wall Mounted Heat Pump System

Job Name

Purchaser

Submitted to

Unit Designation

Location

Date

Engineer

For

Schedule No.



BRS12HPL132IA



BRS12HPL132OA



YBE1FB1F



XE71 (Optional)

GENERAL FEATURES

- AHRI Certificate: [215420691](#)
- New R32 Refrigerant
- High Efficiency DC Inverter Technology
- Compact and Quiet Design
- Wireless Remote with LCD Display
- Wired Controller Options
- Composite Drain Pan
- Wi-Fi Included
- Low Ambient Cooling down to 0°F (Range 0°F to 118°F)
- Low Ambient Heating down to -13°F (Range -13°F to 75°F)
- Coil (Indoor and Outdoor) Copper Tube / Aluminum Fin
- Blue Colored Fin - 500 Hrs Salt Spray Tested

SPECIFICATIONS, FEATURES & FUNCTION SUMMARY

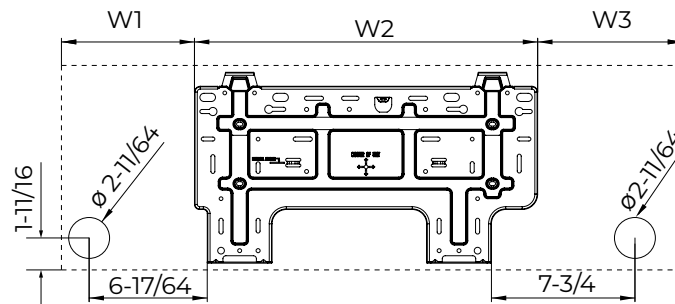
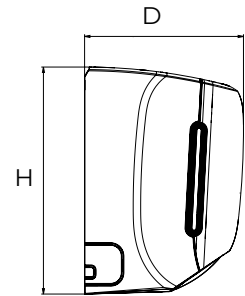
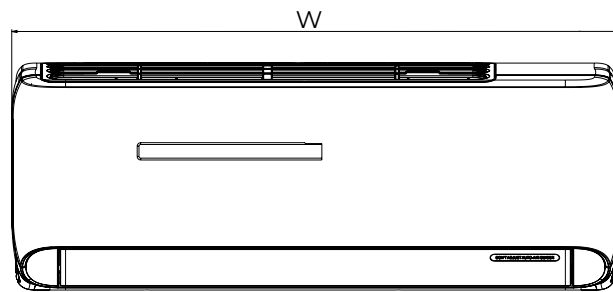
SPECIFICATIONS		BRS12HPL132IA / BRS12HPL132OA		FEATURES & FUNCTIONS SUMMARY		BRS12HPL132IA / BRS12HPL132OA	
SYSTEM PERFORMANCE							
Cooling Capacity	Min - Max	Btu/h	3,070 - 13,300		Inverter Type	G20	
	Capacity @95°F	Btu/h	12,000		Ultra Low Frequency Torque Control	Yes	
Heating Capacity	Min - Max	Btu/h	3,070 - 14,600		Power Factor Correction	Yes	
	Capacity @47°F	Btu/h	12,000		Compressor Type	High Efficiency Rotary	
	Capacity @17°F	Btu/h	7,000		Basepan With Electric Heater	Yes	
	Capacity Max @5°F	Btu/h	8,500		Compressor With Electric Heater	Yes	
SEER2			19.0		Outdoor Fin Coating (Color:Blue)	Acrylic-Resin/Anti-Corrosive	
EER2			9.8		Intelligent Defrosting	Yes	
HSPF2			8.5		Force Defrosting	Yes	
COP @5°F			1.8		Intelligent Preheating	Yes	
COP @47°F			3.5		Low Voltage Startup	Yes	
Cooling Temperature Range	°F	0 - 118		Memory/Power Failure Recovery	Yes		
Heating Temperature Range	°F	-13 - 75		Self Diagnosis	Yes		
Refrigerant Type			R32		Wired Controller Interface (XE71)	Yes	
INDOOR UNIT		BRS12HPL132IA		WiFi Included	Yes		
Air flow (Min - Max)	CFM	182 - 424		Indoor Fan Type	Crossflow		
Sound Pressure Level (Min - Max)	dB(A)	27 - 47		Multi Fan Speeds	4 Speeds		
Dehumidification	pt/hr	2.96		Indoor Unit Display	Yes		
External Dimensions (W x H x D)	in	32-7/8 x 10-53/64 x 7-7/8		Auxiliary Electrical Heater	No		
Package Dimension (W x H x D)	in	35-15/64 x 13-37/64 x 10-43/64		Ventilation (Outdoor Air)	No		
Net Weight	lbs	19.8		REMOTE CONTROLLER FUNCTIONS			
Gross Weight	lbs	24.3		Auto Mode	Yes		
OUTDOOR UNIT		BRS12HPL132OA		Auto Fan	Yes		
Sound Pressure Level	dB(A)	52		Manual Horizontal Swing	Yes		
External Dimensions (W x H x D)	in	28-13/16 x 21-7/8 x 12-63/64		Auto Swing (Vertical Auto Swing)	Yes		
Package Dimension (W x H x D)	in	31-17/64 x 24-7/32 x 14-51/64		Clock on Remote Controller	Yes		
Net Weight	lbs	58.4		Dry Mode	Yes		
Gross Weight	lbs	63.9		Dry Anti-Mildew (X-Fan) Mode	Yes		
REFRIGERANT PIPING				Energy Saving Mode	Yes		
Refrigerant Charge	oz	17.6		Dirty Filter Alert	No		
Additional Charge	oz/ft	0.2		I Feel Function	Yes		
Line Set Size (Liquid - Gas) - Flared Connections	in	1/4 - 3/8		Lock on Remote Controller	Yes		
Pre-Charge Length	ft	25		Quiet Mode	No		
Pipe Length (Min - Max)	ft	10 - 66		Room Temperature Display	Yes		
Max. Pipe Elevation	ft	40		Sleep Mode	Yes		
ELECTRICAL				Timer Mode	Yes		
Power Supply			208-230V / 1Ph / 60Hz (Powered by the Outdoor Unit)		Turbo Mode	Yes	
Voltage Range (Min - Max)	VAC	103 - 126		Display On/Off Control	Yes		
Rated Current - Cooling	A	14.34		Freeze Guard Mode (46°F)	Yes		
Rated Current - Heating	A	14.64		Display On/Off Control	Yes		
MCA	A	19					
MOCP	A	20					
Suggested Breaker Size	A	20					
Main Power Wire Size	AWG	Per Local Code					
Interconnecting Wire Size	AWG	14 / 4					

DIMENSIONS

INDOOR UNIT

Unit: inch

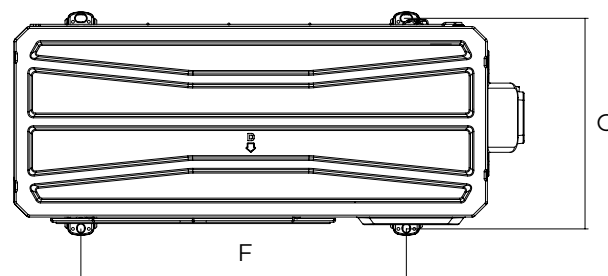
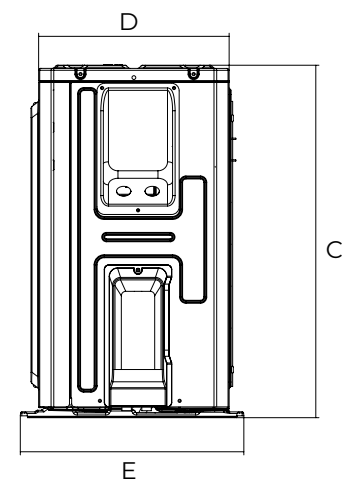
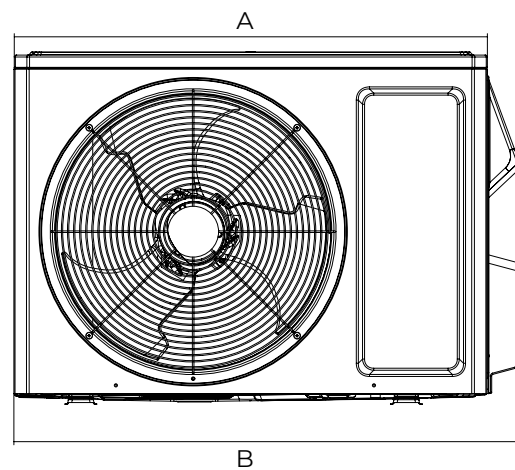
BRS12HPL1321A	
DIMENSIONS	
W	32-7/8
H	10-7/8
D	7-7/8
W1	7-3/64
W2	18-5/32
W3	7-11/16



OUTDOOR UNIT

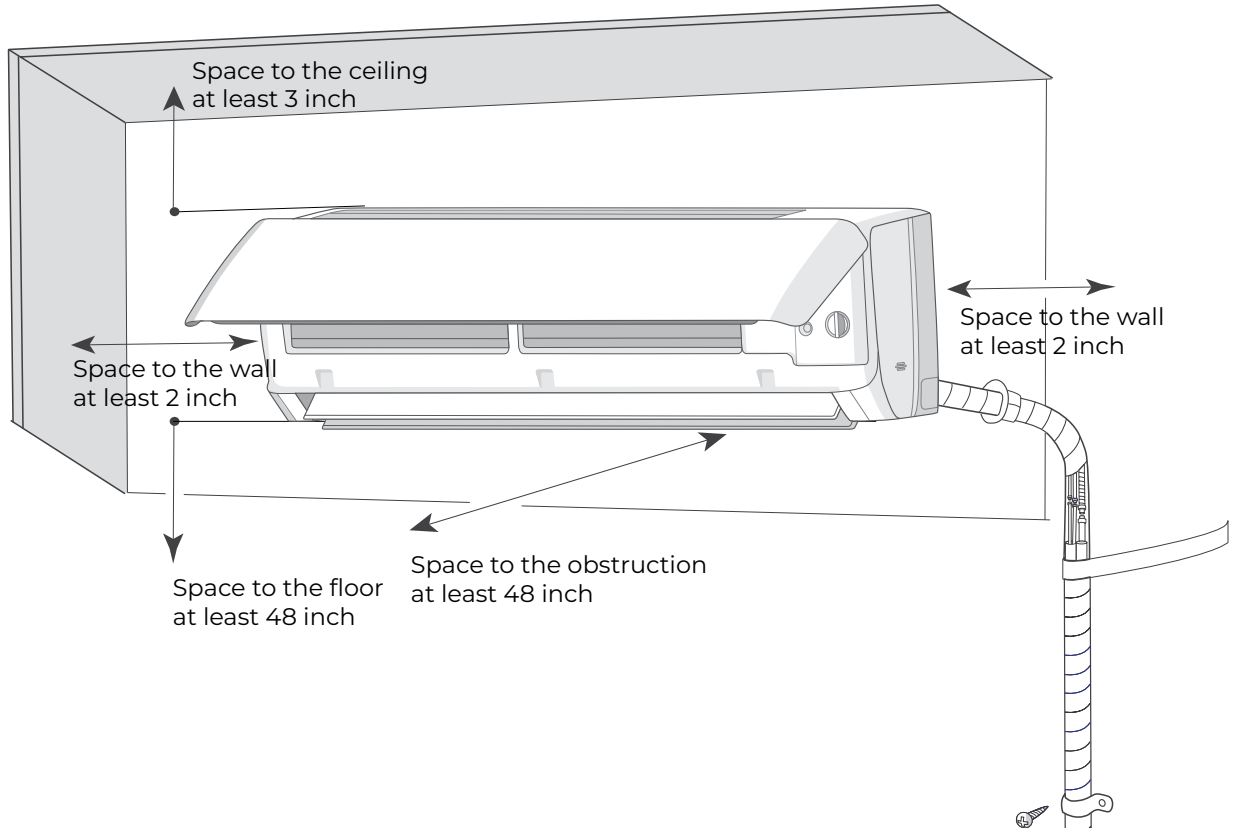
Unit: inch

BRS12HPL1320A	
DIMENSIONS	
A	26-37/64
B	28-13/16
C	21-7/8
D	11-7/32
E	13
F	17-29/32
G	12-13/64

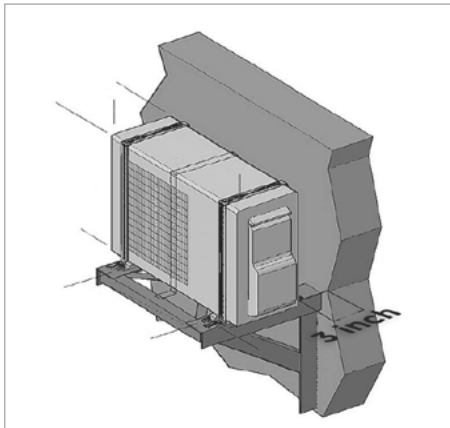


CLEARANCES

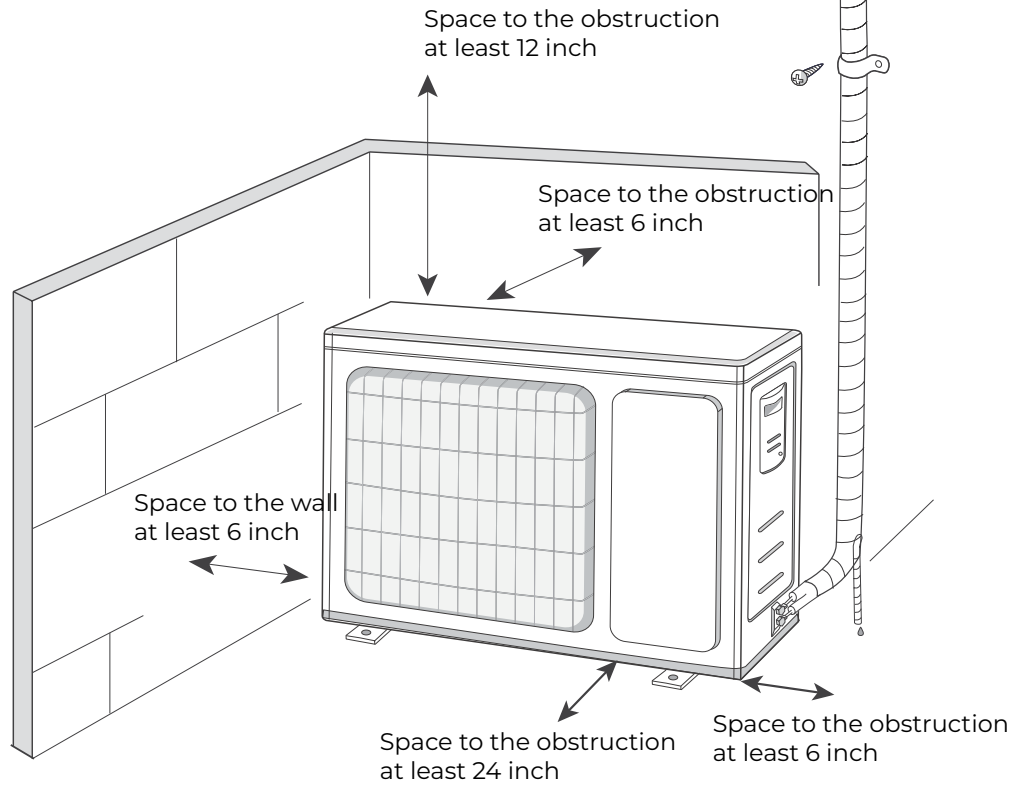
INDOOR UNIT Minimum clearance



OUTDOOR UNIT Minimum clearance



NOTE:
If bottom of the unit is free of airflow obstructions similar to the mounting bracket figure, the clearance to the wall on the back can be reduced to 3 inches.



Specifications are subject to change without notice. Manufacturer reserves the right to discontinue or modify specifications or designs without notice or without incurring obligations. All Rights reserved.