

SUBMITTAL DATA

BRS12HPJ132IA / BRS12HPJ132OA
12000 BTU/H Wall Mounted Heat Pump System

Job Name

Purchaser

Submitted to

Unit Designation

Location

Date

Engineer

For

Schedule No.



BRS12HPJ132IA



BRS12HPJ132OA



YBE1FB1F



XE71 (Optional)

GENERAL FEATURES

- AHRI Certificate: [215420690](#)
- New R32 Refrigerant
- High Efficiency DC Inverter Technology
- Compact and Quiet Design
- Wireless Remote with LCD Display
- Wired Controller Options
- Composite Drain Pan
- Wi-Fi Included
- Low Ambient Cooling down to 0°F (Range 0°F to 118°F)
- Low Ambient Heating down to -13°F (Range -13°F to 75°F)
- Coil (Indoor and Outdoor) Copper Tube / Aluminum Fin
- Blue Colored Fin - 500 Hrs Salt Spray Tested

SPECIFICATIONS, FEATURES & FUNCTION SUMMARY

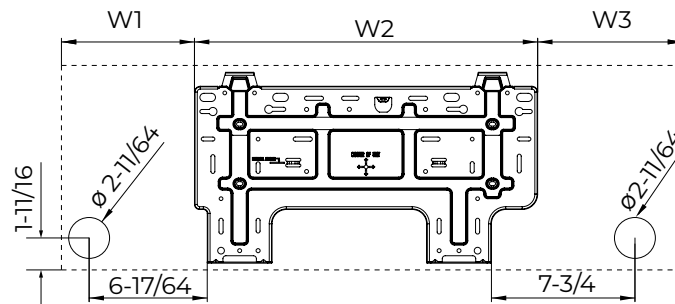
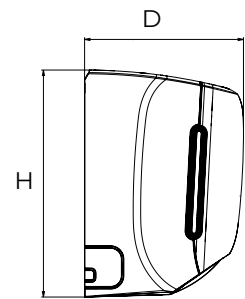
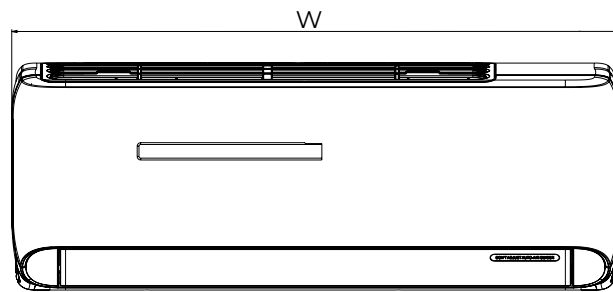
SPECIFICATIONS		BRS12HPJ1321A / BRS12HPJ1320A		FEATURES & FUNCTIONS SUMMARY		BRS12HPJ1321A / BRS12HPJ1320A		
SYSTEM PERFORMANCE								
Cooling Capacity	Min - Max	Btu/h	3,070 - 13,300		Inverter Type			G20
	Capacity @95°F	Btu/h	12,000		Ultra Low Frequency Torque Control			Yes
Heating Capacity	Min - Max	Btu/h	3,070 - 14,600		Power Factor Correction			Yes
	Capacity @47°F	Btu/h	12,000		Compressor Type			High Efficiency Rotary
	Capacity @17°F	Btu/h	7,000		Basepan With Electric Heater			Yes
	Capacity Max @5°F	Btu/h	9,100		Compressor With Electric Heater			Yes
SEER2		19.0		Outdoor Fin Coating (Color:Blue)			Acrylic-Resin/Anti-Corrosive	
EER2		9.8		Intelligent Defrosting			Yes	
HSPF2		8.5		Force Defrosting			Yes	
COP @5°F		1.8		Intelligent Preheating			Yes	
COP @47°F		3.5		Low Voltage Startup			Yes	
Cooling Temperature Range	°F	0 - 118		Memory/Power Failure Recovery			Yes	
Heating Temperature Range	°F	-13 - 75		Self Diagnosis			Yes	
Refrigerant Type		R32		Wired Controller Interface (XE71)			Yes	
INDOOR UNIT				BRS12HPJ1321A				
Air flow (Min - Max)	CFM	182 - 424		WiFi Included			Yes	
Sound Pressure Level (Min - Max)	dB(A)	27 - 47		Indoor Fan Type			Crossflow	
Dehumidification	pt/hr	2.96		Multi Fan Speeds			4 Speeds	
External Dimensions (W x H x D)	in	32-7/8 x 10-53/64 x 7-7/8		Indoor Unit Display			Yes	
Package Dimension (W x H x D)	in	35-15/64 x 13-37/64 x 10-43/64		Auxiliary Electrical Heater			No	
Net Weight	lbs	19.8		Ventilation (Outdoor Air)			No	
Gross Weight	lbs	24.3		REMOTE CONTROLLER FUNCTIONS				
OUTDOOR UNIT				BRS12HPJ1320A				
Sound Pressure Level	dB(A)	52		Auto Mode			Yes	
External Dimensions (W x H x D)	in	28-13/16 x 21-7/8 x 12-63/64		Auto Fan			Yes	
Package Dimension (W x H x D)	in	31-17/64 x 24-7/32 x 14-51/64		Manual Horizontal Swing			Yes	
Net Weight	lbs	56.2		Auto Swing (Vertical Auto Swing)			Yes	
Gross Weight	lbs	61.7		Clock on Remote Controller			Yes	
REFRIGERANT PIPING				Dry Mode				Yes
Refrigerant Charge	oz	17.6		Dry Anti-Mildew (X-Fan) Mode			Yes	
Additional Charge	oz/ft	0.2		Energy Saving Mode			Yes	
Line Set Size (Liquid - Gas) - Flared Connections	in	1/4 - 3/8		Dirty Filter Alert			No	
Pre-Charge Length	ft	25		I Feel Function			Yes	
Pipe Length (Min - Max)	ft	10 - 66		Lock on Remote Controller			Yes	
Max. Pipe Elevation	ft	40		Quiet Mode			No	
ELECTRICAL				Room Temperature Display				Yes
Power Supply	208-230V / 1Ph / 60Hz (Powered by the Outdoor Unit)			Sleep Mode			Yes	
Voltage Range (Min - Max)	VAC	187 - 253		Timer Mode			Yes	
Rated Current - Cooling	A	7.02		Turbo Mode			Yes	
Rated Current - Heating	A	7.47		Display On/Off Control			Yes	
MCA	A	12		Freeze Guard Mode (46°F)			Yes	
MOCP	A	15		Display On/Off Control			Yes	
Suggested Breaker Size	A	15						
Main Power Wire Size	AWG	Per Local Code						
Interconnecting Wire Size	AWG	14 / 4						

DIMENSIONS

INDOOR UNIT

Unit: inch

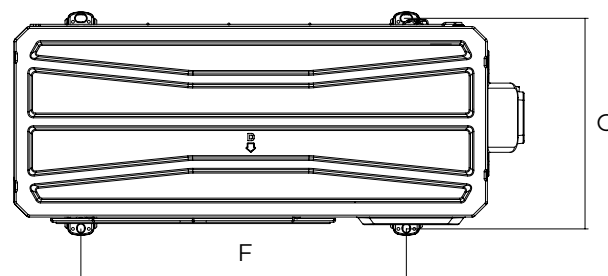
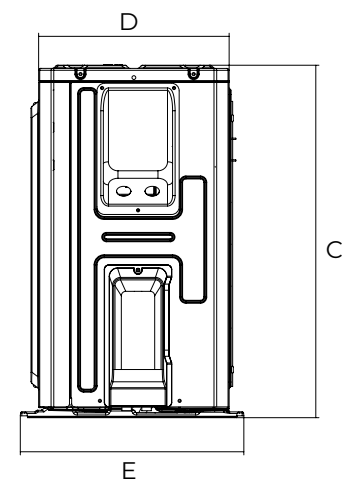
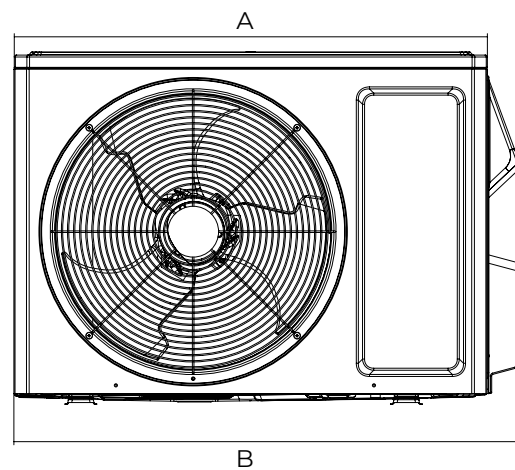
BRS12HPJ1321A	
DIMENSIONS	
W	32-7/8
H	10-7/8
D	7-7/8
W1	7-3/64
W2	18-5/32
W3	7-11/16



OUTDOOR UNIT

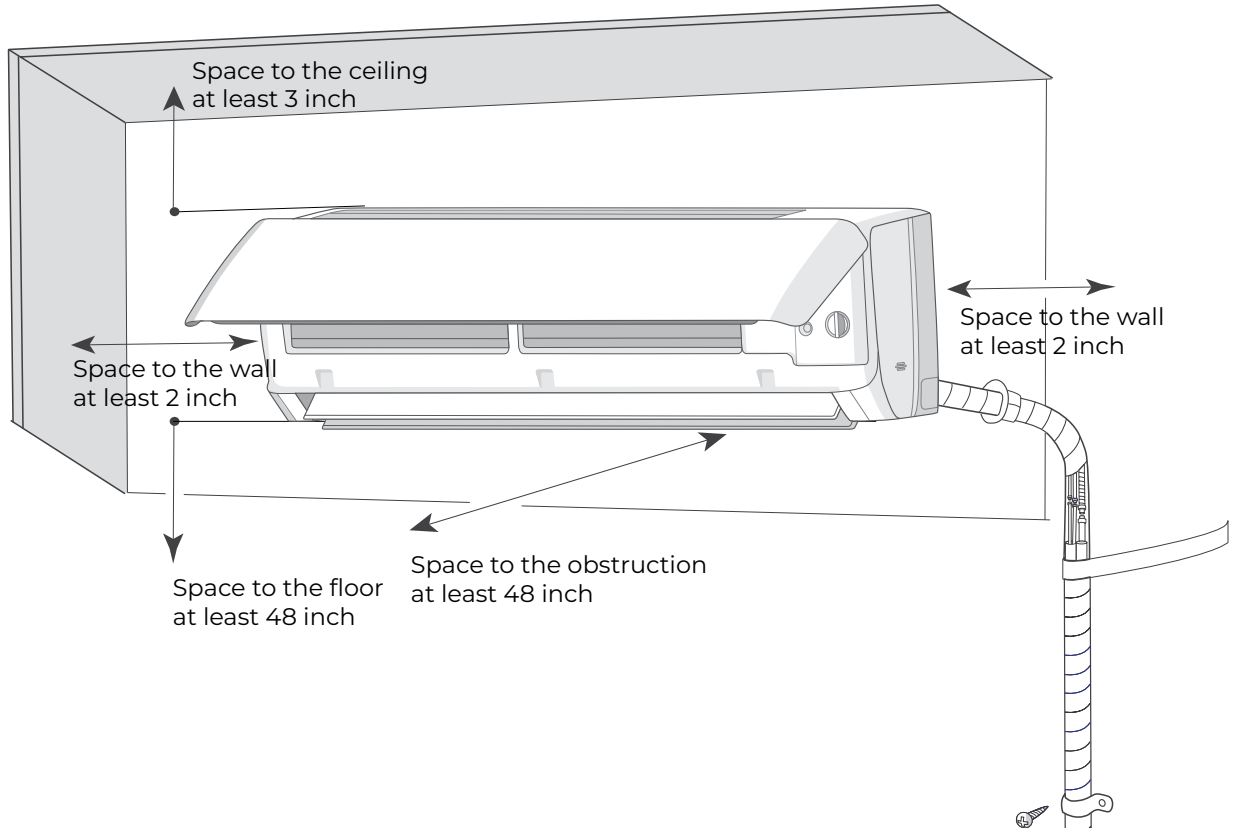
Unit: inch

BRS12HPJ1320A	
DIMENSIONS	
A	26-37/64
B	28-13/16
C	21-7/8
D	11-7/32
E	13
F	17-29/32
G	12-13/64

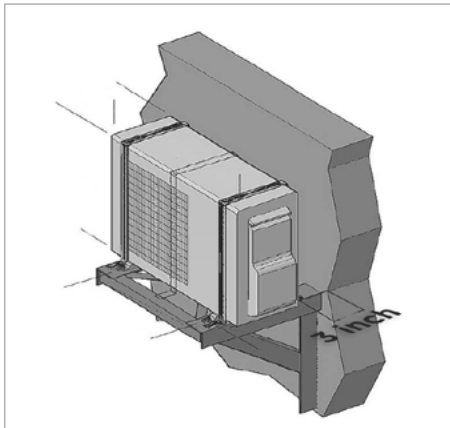


CLEARANCES

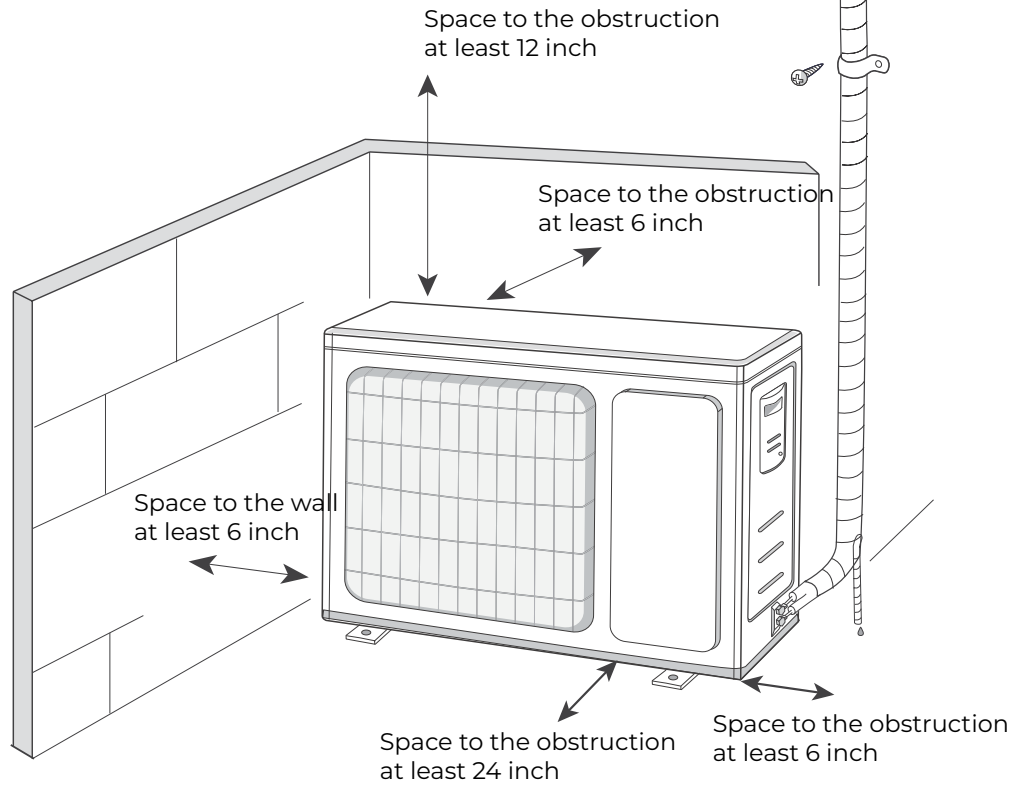
INDOOR UNIT Minimum clearance



OUTDOOR UNIT Minimum clearance



NOTE:
If bottom of the unit is free of airflow obstructions similar to the mounting bracket figure, the clearance to the wall on the back can be reduced to 3 inches.



Specifications are subject to change without notice. Manufacturer reserves the right to discontinue or modify specifications or designs without notice or without incurring obligations. All Rights reserved.