

SUBMITTAL DATA

ARX48HPJ1R32IA / ARXE60HPJ1R32OA
48000 BTU/H Unitary Heat Pump Split System

Job Name

Purchaser

Submitted to

Unit Designation

Location

Date

Engineer

For

Schedule No.



ARX48HPJ1R32IA



ARXE60HPJ1R32OA



WK-010WC1

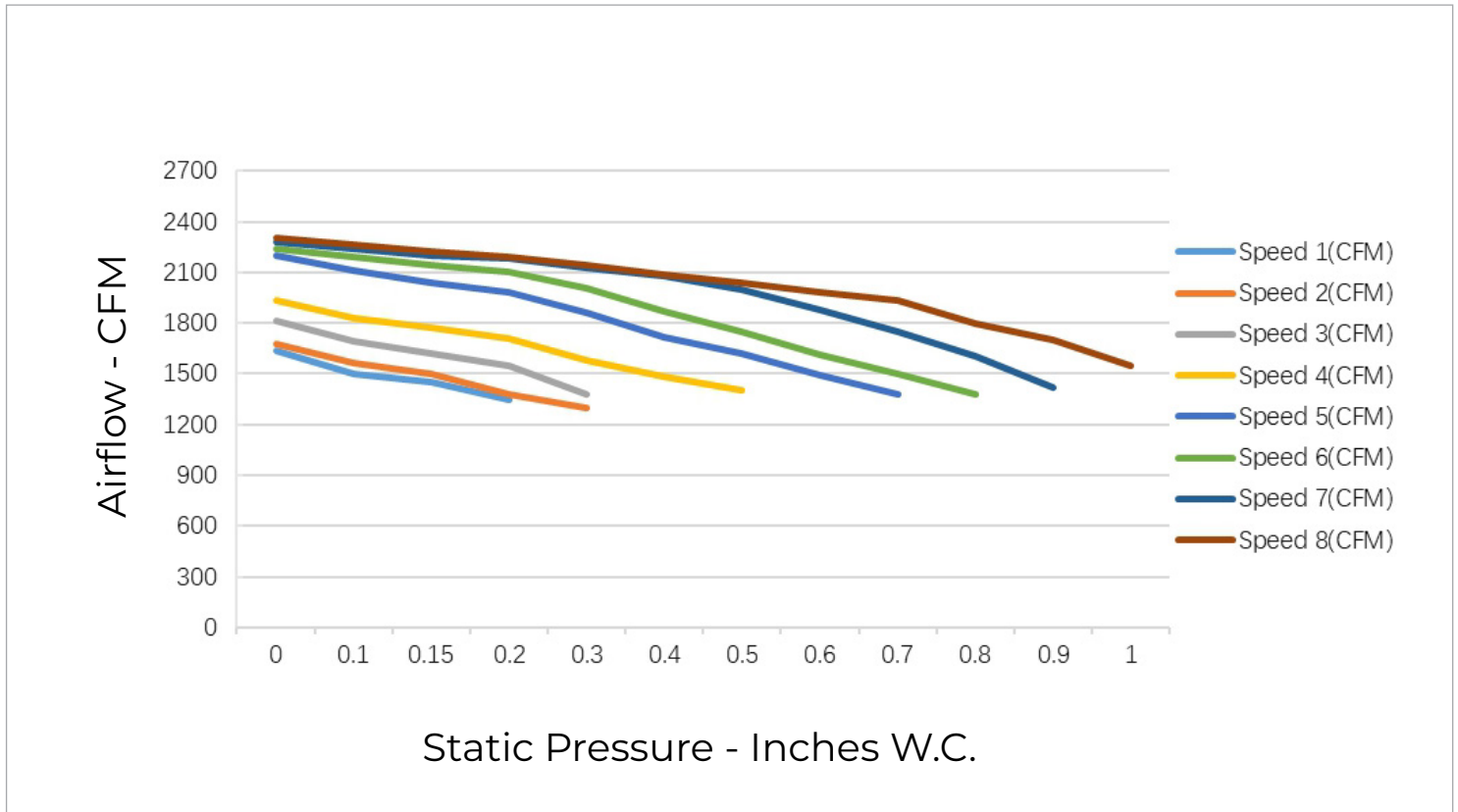
GENERAL FEATURES

- AHRI Certificate:
- High Efficiency DC Inverter Technology
- Zero Lot Line Design
- Operation Range: 5°F ~ 118°F
- New R32 Refrigerant
- WK-010WC1 Programmable Wired Controller Included
- Multi-Position Air Handler
- RS485 Communication and Universal 24V Control
- Coil (Outdoor) Copper Tube/Aluminum Fin with Anti-Corrosion Coil Coating (Gold Colored Fin - 1500Hr Salt Spray Rating)
- Coil (Indoor) Copper Tube/Aluminum Fin with Anti-Corrosion Coil Coating (Blue Colored Fin - 500Hr Salt Spray Rating)

SPECIFICATIONS, FEATURES & FUNCTION SUMMARY

SPECIFICATIONS		ARX48HPJ1R32IA / ARXE60HPJ1R32OA		FEATURES & FUNCTIONS SUMMARY	
System Type		HEAT PUMP		Compressor	Inverter
SYSTEM PERFORMANCE					
Cooling Capacity	Min - Max	Btu/h	24,000 - 52,000		
	Rated Capacity @95°F	Btu/h	48,000		
Heating Capacity	Min - Max	Btu/h	24,000 - 53,000		
	Rated Capacity @47°F	Btu/h	48,000		
	Rated Capacity @17°F	Btu/h	38,500		
	Rated Capacity @5°F	Btu/h	36,000		
SEER2		20.0			
EER2		11.7			
HSPF2		9.5			
COP @5°F		2.18			
Cooling Temperature Range	°F	5 - 118			
Heating Temperature Range	°F	5 - 75			
Refrigerant Type		R32			
INDOOR UNIT		ARX48HPJ1R32IA			
Power Supply	VAC	208-230V / 1Ph / 60 Hz			
Sound Pressure Level	dB(A)	53			
Control Voltage	VAC	24			
MOCP	A	15			
MCA	A	7.1			
Electric Heater (Optional)	kW	5, 6, 9, 10, 12, 15, 20			
Air Flow	CFM	1200			
External Static Pressure (Up to)	In W.c.	1.0			
Dehumidification	pt/hr	8.49			
Drain Piping	in	Φ1×0.05			
External Dimensions (W x D x H)	in	24-13/16 × 21-1/4 × 52			
Package Dimension (L x W x H)	in	27-1/4 × 26 × 54-3/16			
Net Weight	lbs	199.5			
Gross Weight	lbs	218.0			
OUTDOOR UNIT		ARXE60HPJ1R32OA			
Power Supply	VAC	208-230V / 1Ph / 60 Hz			
Sound Pressure Level	dB(A)	63			
Control Voltage	VAC	24			
Rated Current Cooling	A	30			
Rated Current Heating	A	32			
MOCP	A	40			
MCA	A	35.5			
Compressor Type		G20 / Double Cylinder / 1 - Stage Inverter			
External Dimensions (W x D x H)	in	35-7/16 × 13-3/8 × 49-5/8			
Package Dimension (L x W x H)	in	40-11/16 × 17-3/8 × 55-3/16			
Net Weight	lbs	214			
Gross Weight	lbs	236			
Refrigerant Charge - R32	oz	148.2			
Additional Charge	oz/ft	0.215			
REFRIGERANT PIPING					
Line Set Size (Liquid - Gas) - Flared Connections	in	3/8 - 3/4			
Pre-Charge Length	ft	31			
Pipe Length (Min - Max)	ft	10 - 98			
Max. Pipe Elevation	ft	49			
		Ultra Low Frequency Torque Control	Yes		
		Power Factor Correction	Yes		
		Compressor Type	Rotary		
		Electronic Expansion Valve (EEV)	Yes		
		Basepan With Electric Heater	Yes		
		Compressor With Electric Heater	Yes		
		Fin Coating (Outdoor - Golden & Indoor - Blue)	Acrylic Resin		
		Intelligent Defrosting	Yes		
		Intelligent Preheating	Yes		
		Low Voltage Startup	Yes		
		Memory/Power Failure Recovery	Yes		
		Self Diagnosis	Yes		
		Low Ambient Cooling	No		
		24VAC Thermostat Compatible	Yes		
		Indoor Fan Type	Centrifugal		
		Multi Fan Speeds	5		
		Auxiliary Electrical Heater	Optional		
		A2L Leak Detection Sensor (Indoor)	Factory Installed		

FAN PERFORMANCE



NOTE:

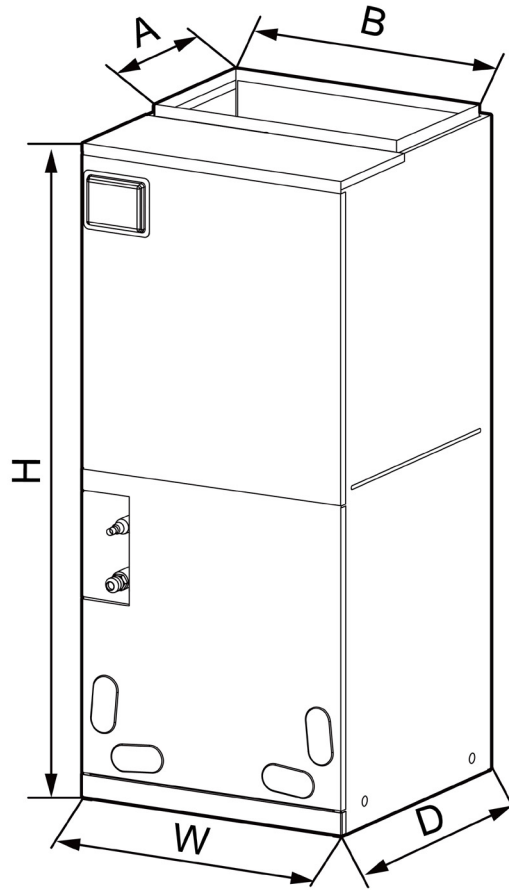
1. Above chart CFM ratings are based on dry coil with factory filter installed.
2. For wet coil CFM ratings, multiply the CFM by 0.96 correction factor.

DIMENSIONS

INDOOR UNIT

Unit: inch

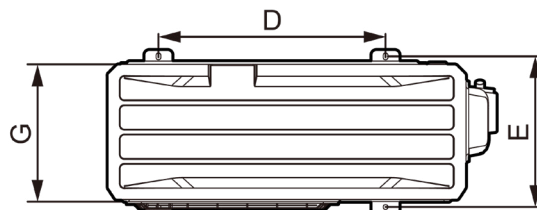
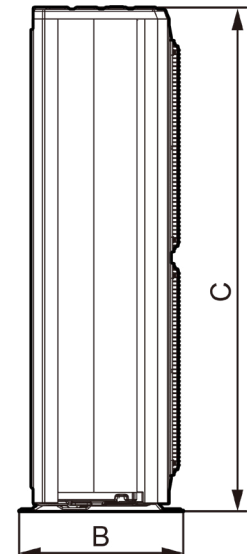
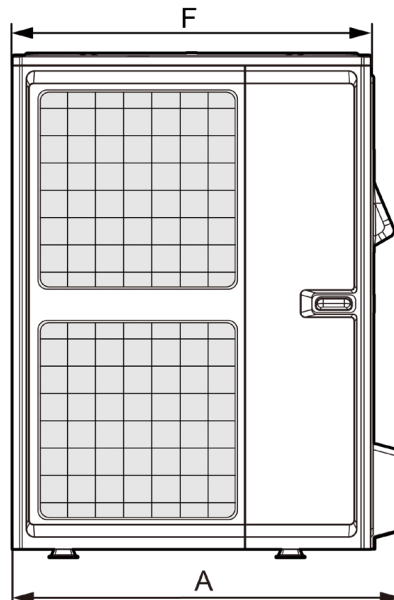
ARX48HPJ1R321A	
DIMENSIONS	
A	11-5/8
B	20
H	52
W	24-13/16
D	21-1/4



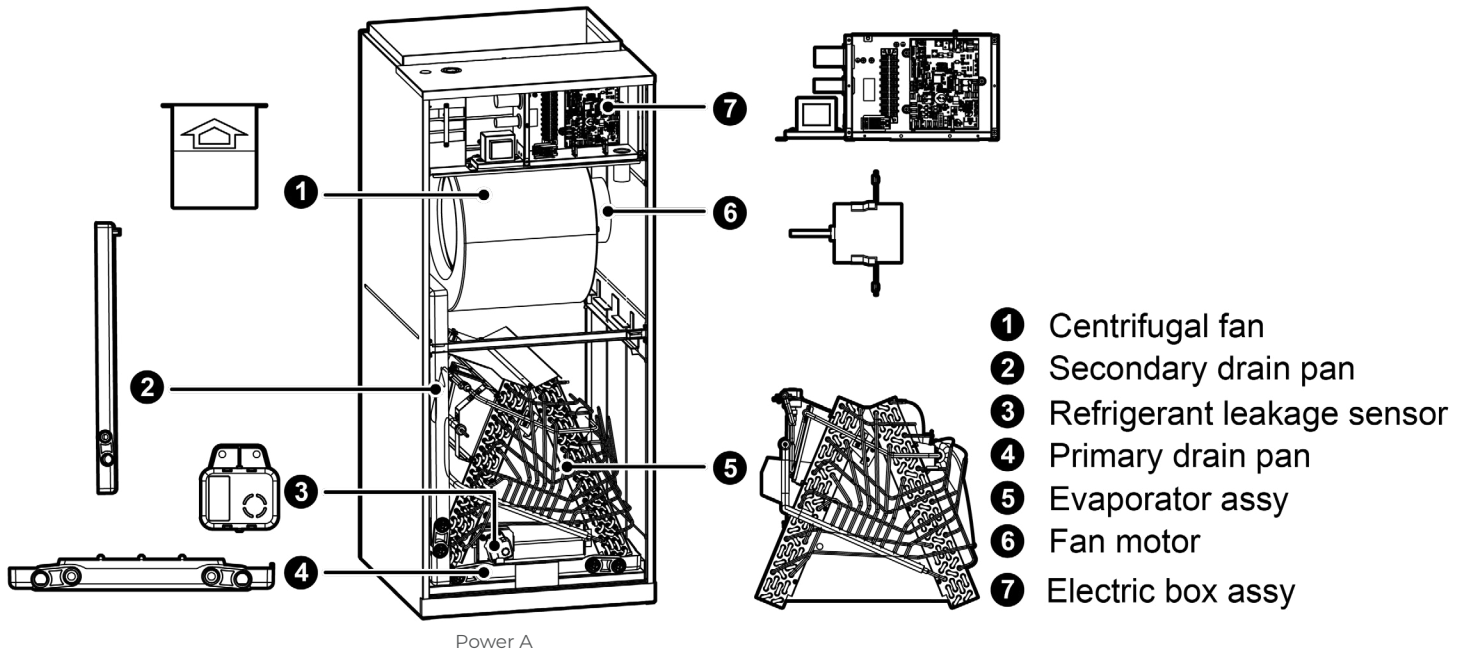
OUTDOOR UNIT

Unit: inch

ARXE60HPJ1R320A	
DIMENSIONS	
A	38-1/2
B	16-1/4
C	49-5/8
D	22-7/16
E	14-7/8
F	35-7/16
G	13-3/8



ACCESSORY HEATER AND GENERAL INFORMATION



MODEL	Heat Kit Model	Part Number	Electric Heat (kW)		Min. Circuit Ampacity (A)		Max Fuse or Breaker (A)	
			208V	230V	208V	230V	208V	230V
ARX48HPJ1R321A	320004060249	FLEXA2LHTR05KWD	3.74	4.6	28	29.9	30	35
	320004060250	FLEXA2LHTR10KWD	7.49	9.2	50	55	60	60
	320004060251	FLEXA2LHTR15KWD	11.23	13.8	74	82	80	90
	320004060252	FLEXA2LHTR20KWD	14.98	18.4	98	108	100	110

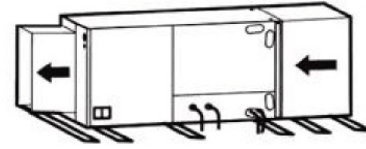
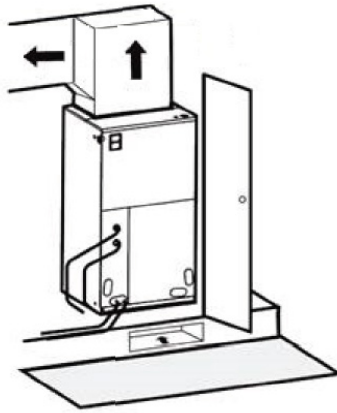
MODEL	Heat Kit Model	Part Number	Electric Heat (kW)		Min. Circuit Ampacity (A)				Max Fuse or Breaker (A)				
			208V	230V	208V		230V		208V		230V		
ARX48HPJ1R321A	One Mains Supply												
	320004060223	FLEXA2LHTR06	3.74	4.6	31		33		35		35		
	Two Mains Supply												
						Power A	Power B	Power A	Power B	Power A	Power B	Power A	Power B
	320004060224	FLEXA2LHTR09	6.03	7.36	35	13.8	36.9	15	40	15	40	20	20
320004060225	FLEXA2LHTR12	7.49	9.2	35	27.5	36.9	30	40	30	40	40	35	

CLEARANCES

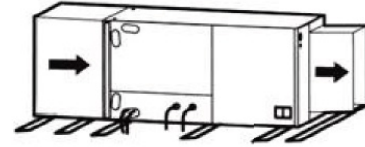
INDOOR UNIT

Minimum clearance

FRONT	> 24
-------	------



Horizontal Left Configuration - No Modification Needed



Horizontal Right Configuration - Must Relocate Drain Pan

NOTE:

Allow a minimum of 24" in front of the unit for service clearance. When installing in an area directly over a finished ceiling (such as an attic), an emergency drain pan is required directly under the unit. **See local and state codes for requirements.** When installing this unit in an area that may become wet, elevate the unit with a sturdy, non-porous material. In installations that may lead to physical damage (i.e. a garage) it is advised to install a protective barrier to prevent such damage. This air handler is designed for a complete supply and return ductwork system.

OUTDOOR UNIT

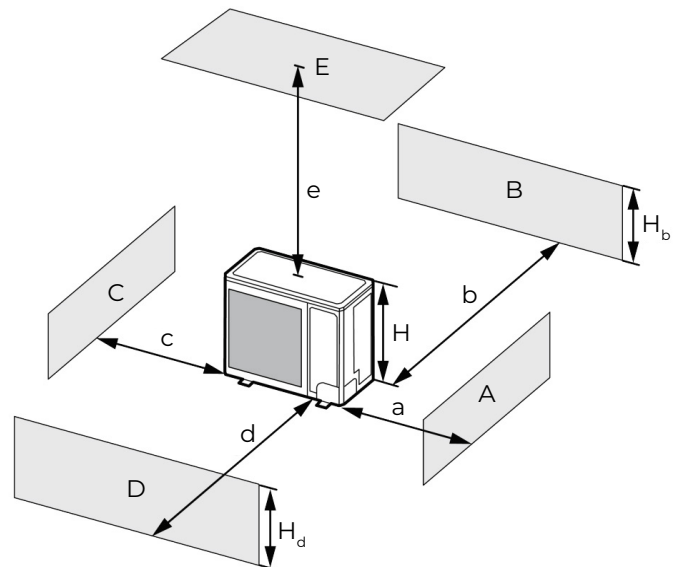
Minimum clearance

NOTE:

Install the Outdoor Unit **2 Inches** Above the Expected Snow Line

1. When one outdoor unit is to be installed.

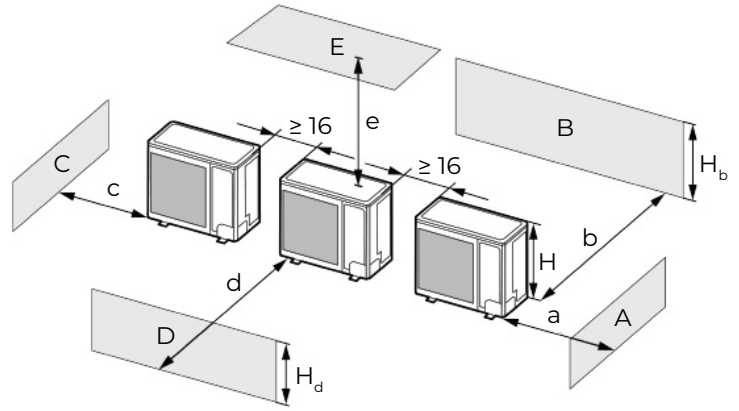
A - E	H_b H_d H		(in)				
			a	b	c	d	e
B	-	-	-	≥ 4	-	-	-
A, B, C	-	-	≥ 12	≥ 4	≥ 4	-	-
B, E	-	-	-	≥ 4	-	-	≥ 40
A, B, C, E	-	-	≥ 12	≥ 6	≥ 6	-	≥ 40
D	-	-	-	-	-	≥ 40	-
D, E	-	-	-	-	-	≥ 40	≥ 40
B, D	$H_b < H_d$	$H_d < H$	-	≥ 4	-	≥ 40	-
	$H_b > H_d$	$H_d > H$	-	≥ 4	-	≥ 40	-
B, D, E	$H_b < H_d$	$H_b \leq 1/2H$	-	≥ 10	-	≥ 80	≥ 40
		$1/2H < H_b \leq H$	-	≥ 10	-	≥ 80	≥ 40
	$H_b > H$	Prohibited					
	$H_b > H_d$	$H_d \leq 1/2H$	-	≥ 4	-	≥ 80	≥ 40
		$1/2H < H_d \leq H$	-	≥ 8	-	≥ 80	≥ 40
$H_d > H$	Prohibited						



CLEARANCES

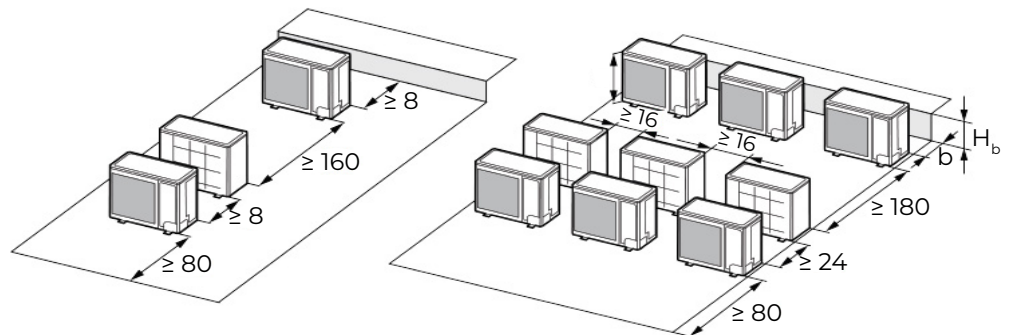
2. When two or more outdoor units are to be installed side by side.

A - E	H_b H_d H		(in)				
			a	b	c	d	e
A, B, C	-	-	≥ 12	≥ 12	≥ 40	-	-
A, B, C, E	-	-	≥ 12	≥ 12	≥ 40	-	≥ 40
D	-	-	-	-	-	≥ 80	-
D, E	-	-	-	-	-	≥ 80	≥ 40
B, D	$H_b < H_d$	$H_d > H$	-	≥ 12	-	≥ 80	-
		$H_d \leq 1/2H$	-	≥ 10	-	≥ 80	-
	$H_b > H_d$	$1/2H < H_d \leq H$	-	≥ 12	-	≥ 100	
B, D, E	$H_b < H_d$	$H_b \leq 1/2H$	-	≥ 12	-	≥ 80	≥ 40
		$1/2H < H_b \leq H$	-	≥ 12	-	≥ 100	≥ 40
		$H_b > H$	Prohibited				
	$H_b > H_d$	$H_d \leq 1/2H$	-	≥ 10	-	≥ 100	≥ 40
		$1/2H < H_d \leq H$	-	≥ 12	-	≥ 100	≥ 40
		$H_d > H$	Prohibited				

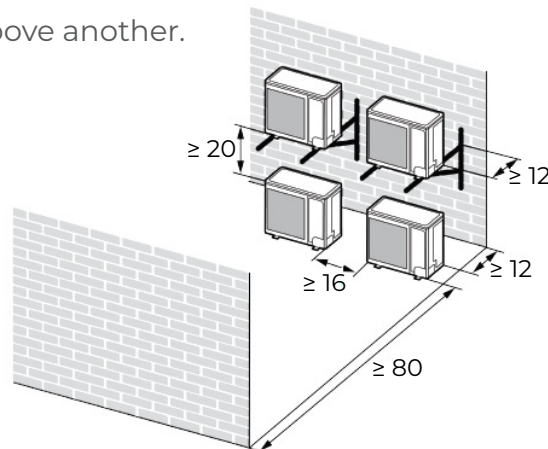


3. When outdoor units are installed in rows.

H_b H_d	(in)
$H_b \leq 1/2H$	$b \leq 10$
$1/2H < H_b \leq H$	$b \leq 12$
$H_b > H_d$	Prohibited



4. When outdoor units are installed one above another.



Specifications are subject to change without notice. Manufacturer reserves the right to discontinue or modify specifications or designs without notice or without incurring obligations. All Rights reserved.