

## SUBMITTAL DATA

ARX36HPJ1R32IA / ARXE36HPJ1R32OA  
36000 BTU/H Unitary Heat Pump Split System

Job Name

Purchaser

Submitted to

Unit Designation

Location

Date

Engineer

For

Schedule No.



ARX36HPJ1R32IA



ARXE36HPJ1R32OA



WK-010WC1

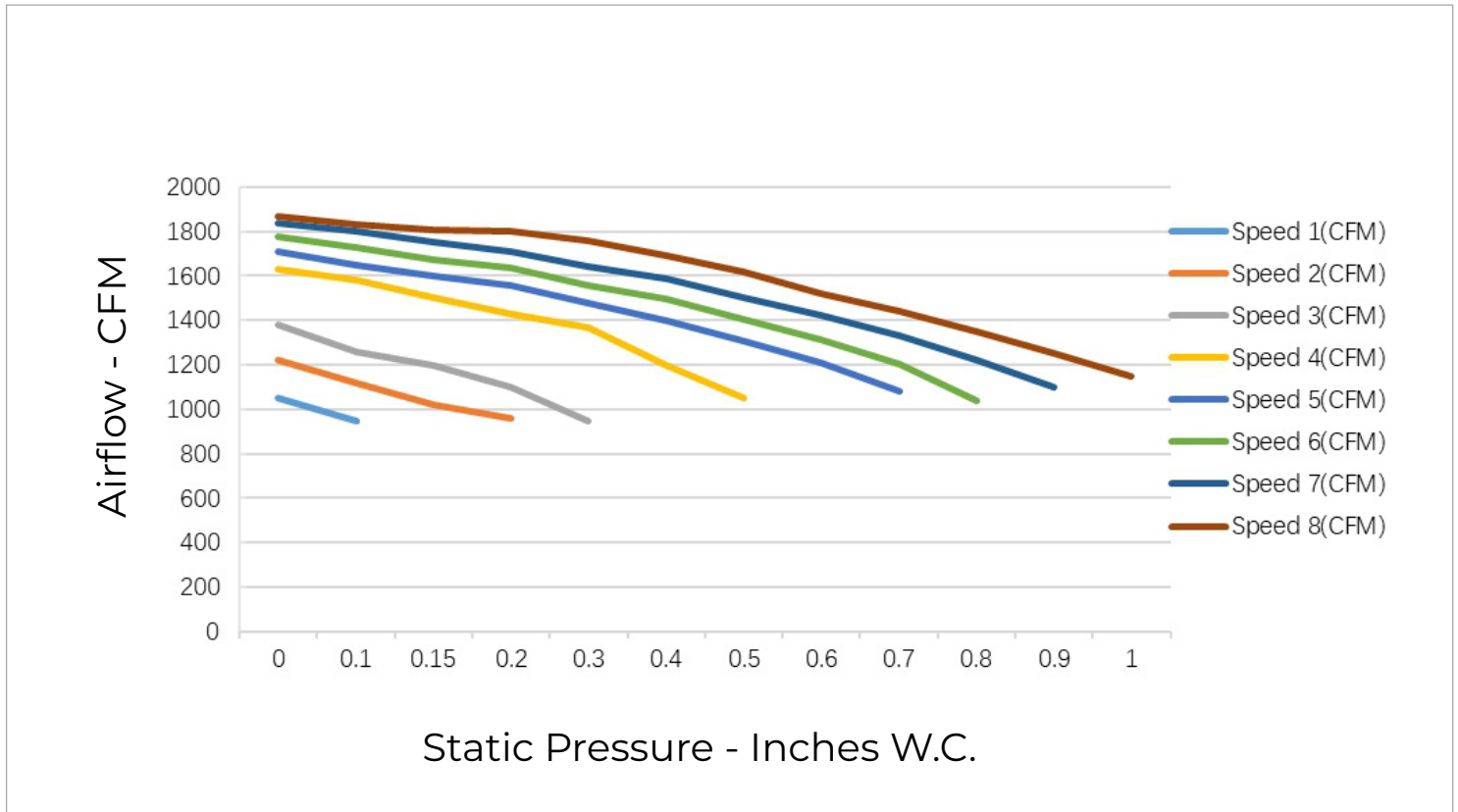
## GENERAL FEATURES

- AHRI Certificate:
- High Efficiency DC Inverter Technology
- Zero Lot Line Design
- Operation Range: 5°F ~ 118°F
- New R32 Refrigerant
- WK-010WC1 Programmable Wired Controller Included
- Multi-Position Air Handler
- RS485 Communication and Universal 24V Control
- Coil (Outdoor) Copper Tube/Aluminum Fin with Anti-Corrosion Coil Coating (Gold Colored Fin - 1500Hr Salt Spray Rating)
- Coil (Indoor) Copper Tube/Aluminum Fin with Anti-Corrosion Coil Coating (Blue Colored Fin - 500Hr Salt Spray Rating)

# SPECIFICATIONS, FEATURES & FUNCTION SUMMARY

SPECIFICATIONS		ARX36HPJIR321A / ARXE36HPJIR320A		FEATURES & FUNCTIONS SUMMARY	
System Type		HEAT PUMP		Compressor	Inverter
<b>SYSTEM PERFORMANCE</b>					
Cooling Capacity	Min - Max	Btu/h	17,000 - 37,400		
	Rated Capacity @95°F	Btu/h	34,000		
Heating Capacity	Min - Max	Btu/h	17,000 - 38,000		
	Rated Capacity @47°F	Btu/h	34,000		
	Rated Capacity @17°F	Btu/h	27,400		
	Rated Capacity @5°F	Btu/h	21,600		
SEER2		19.0		Intelligent Defrosting	Yes
EER2		11.7		Intelligent Preheating	Yes
HSPF2		8.3		Low Voltage Startup	Yes
COP @5°F		2.0		Memory/Power Failure Recovery	Yes
Cooling Temperature Range	°F	5 - 118		Self Diagnosis	Yes
Heating Temperature Range	°F	5 - 75		Low Ambient Cooling	No
Refrigerant Type		R32		24VAC Thermostat Compatible	Yes
<b>INDOOR UNIT</b>		<b>ARX36HPJIR321A</b>		Indoor Fan Type	Centrifugal
Power Supply	VAC	208-230V / 1Ph / 60 Hz		Multi Fan Speeds	5
Sound Pressure Level	dB(A)	51		Auxiliary Electrical Heater	Optional
Control Voltage	VAC	24		A2L Leak Detection Sensor (Indoor)	Factory Installed
MOCP	A	15			
MCA	A	5.3			
Electric Heater (Optional)	kW	5, 6, 9, 10, 12, 15			
Air Flow	CFM	1000			
External Static Pressure (Up to)	In W.c.	1.0			
Dehumidification	pt/hr	6.02			
Drain Piping	in	Φ1×0.05			
External Dimensions (W x D x H)	in	21-1/4 x 21-1/4 x 48-3/16			
Package Dimension (L x W x H)	in	23-3/4 x 26 x 50-3/8			
Net Weight	lbs	163.1			
Gross Weight	lbs	178.6			
<b>OUTDOOR UNIT</b>		<b>ARXE36HPJIR320A</b>			
Power Supply	VAC	208-230V / 1Ph / 60 Hz			
Sound Pressure Level	dB(A)	60			
Control Voltage	VAC	24			
Rated Current Cooling	A	17.5			
Rated Current Heating	A	11.5			
MOCP	A	25			
MCA	A	21.6			
Compressor Type		G20 / Double Cylinder / 1 - Stage Inverter			
External Dimensions (W x D x H)	in	36-1/4×14-9/16×29-3/8			
Package Dimension (L x W x H)	in	42-1/2 x 19 x 31-1/2			
Net Weight	lbs	124.6			
Gross Weight	lbs	133.4			
Refrigerant Charge - R32	oz	98.8			
Additional Charge	oz/ft	0.215			
<b>REFRIGERANT PIPING</b>					
Line Set Size (Liquid - Gas) - Flared Connections	in	3/8 - 3/4			
Pre-Charge Length	ft	31			
Pipe Length (Min - Max)	ft	10 - 98			
Max. Pipe Elevation	ft	49			

## FAN PERFORMANCE



### NOTE:

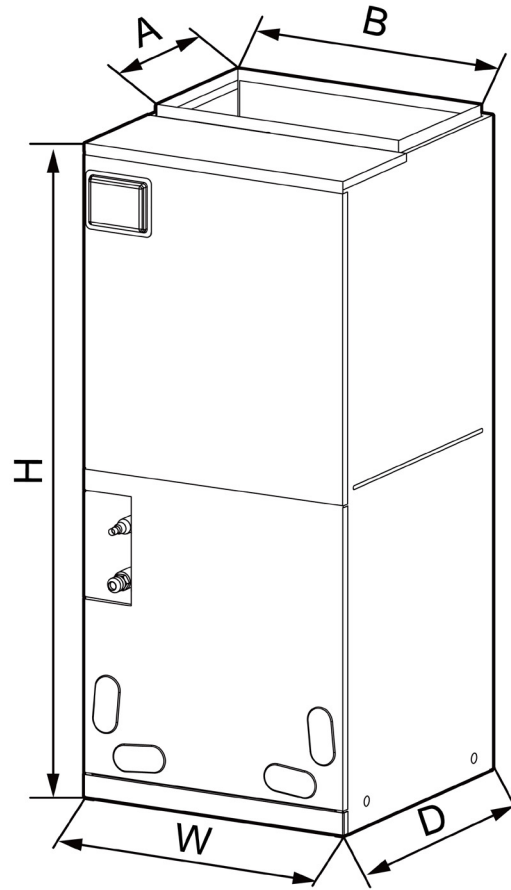
1. Above chart CFM ratings are based on dry coil with factory filter installed.
2. For wet coil CFM ratings, multiply the CFM by 0.96 correction factor.

## DIMENSIONS

### INDOOR UNIT

Unit: inch

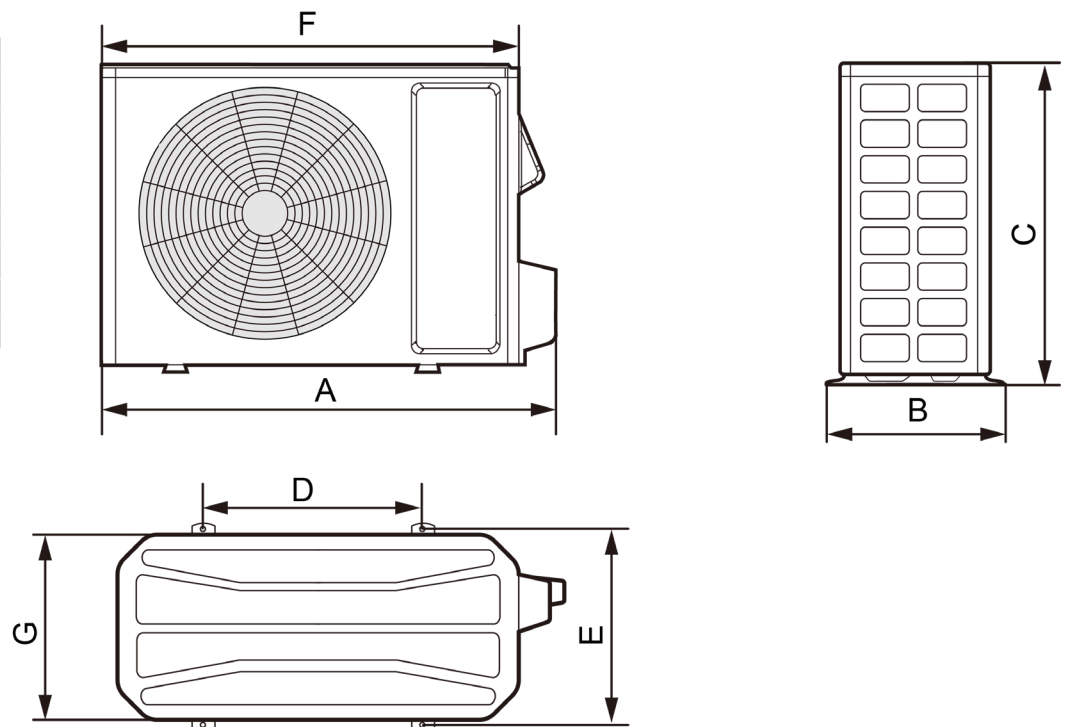
ARX36HPJ1R321A	
DIMENSIONS	
A	11-5/8
B	20
H	48-3/16
W	21-1/4
D	21-1/4



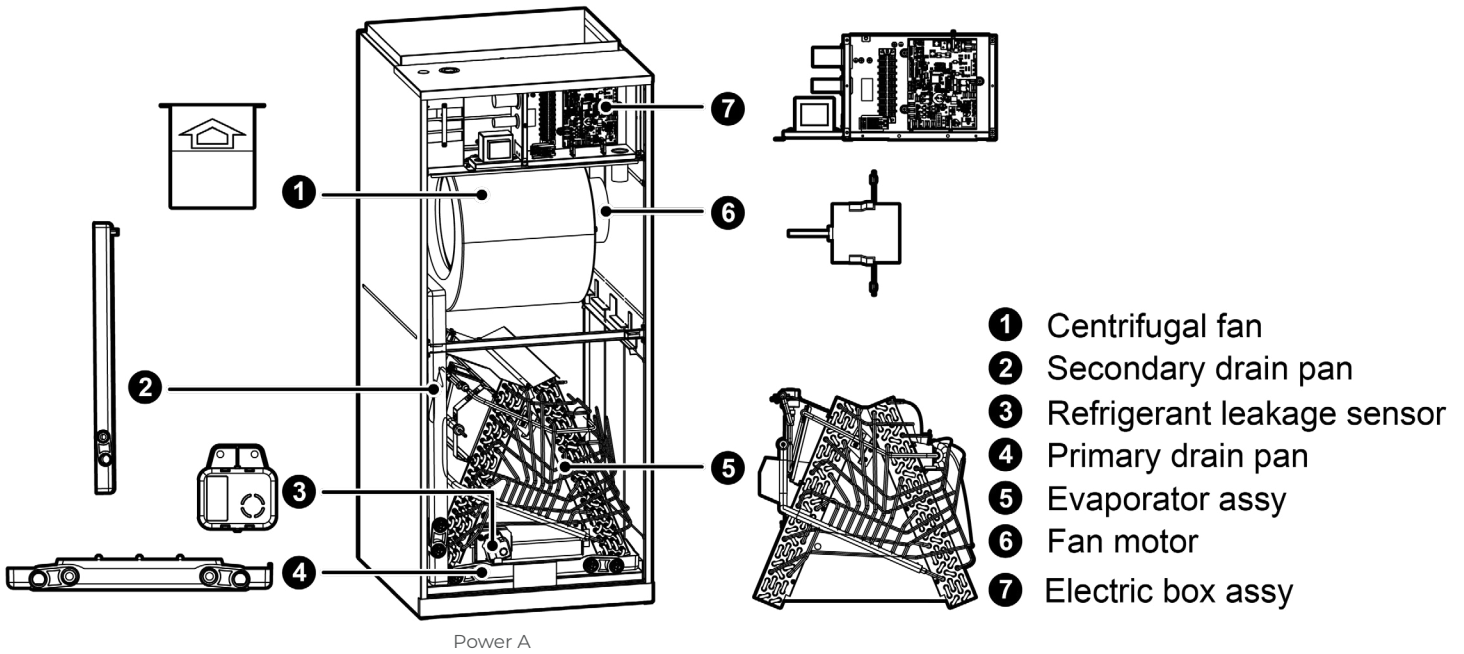
### OUTDOOR UNIT

Unit: inch

ARXE36HPJ1R320A	
DIMENSIONS	
A	39-3/8
B	16-13/16
C	29-3/8
D	24
E	15-9/16
F	36-1/4
G	14-9/16



# ACCESSORY HEATER AND GENERAL INFORMATION



MODEL	Heat Kit Model	Part Number	Electric Heat (kW)		Min. Circuit Ampacity (A)		Max Fuse or Breaker (A)	
			208V	230V	208V	230V	208V	230V
ARX36HPJ1R321A	320004060249	FLEXA2LHTR05KWD	3.74	4.6	28	29.9	30	35
	320004060250	FLEXA2LHTR10KWD	7.49	9.2	50	55	60	60
	320004060251	FLEXA2LHTR15KWD	11.23	13.8	74	82	80	90

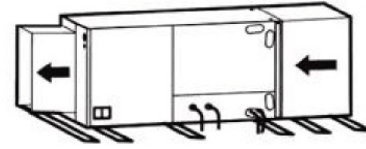
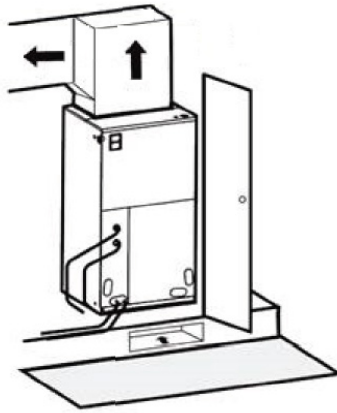
MODEL	Heat Kit Model	Part Number	Electric Heat (kW)		Min. Circuit Ampacity (A)		Max Fuse or Breaker (A)						
			208V	230V	208V	230V	208V	230V	208V	230V			
ARX36HPJ1R321A	One Mains Supply												
	320004060223	FLEXA2LHTR06	3.74	4.6	31	33	35	35					
	Two Mains Supply												
						Power A	Power B	Power A	Power B	Power A	Power B	Power A	Power B
	320004060224	FLEXA2LHTR09	6.03	7.36	32.7	13.8	35.2	15	35	15	40	20	
320004060225	FLEXA2LHTR12	7.49	9.2	32.7	27.5	35.2	30	35	30	40	35		

# CLEARANCES

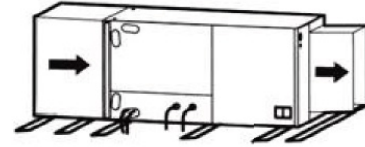
## INDOOR UNIT

Minimum clearance

FRONT	> 24
-------	------



Horizontal Left Configuration - No Modification Needed



Horizontal Right Configuration - Must Relocate Drain Pan

**NOTE:**

Allow a minimum of 24" in front of the unit for service clearance. When installing in an area directly over a finished ceiling (such as an attic), an emergency drain pan is required directly under the unit. **See local and state codes for requirements.** When installing this unit in an area that may become wet, elevate the unit with a sturdy, non-porous material. In installations that may lead to physical damage (i.e. a garage) it is advised to install a protective barrier to prevent such damage. This air handler is designed for a complete supply and return ductwork system.

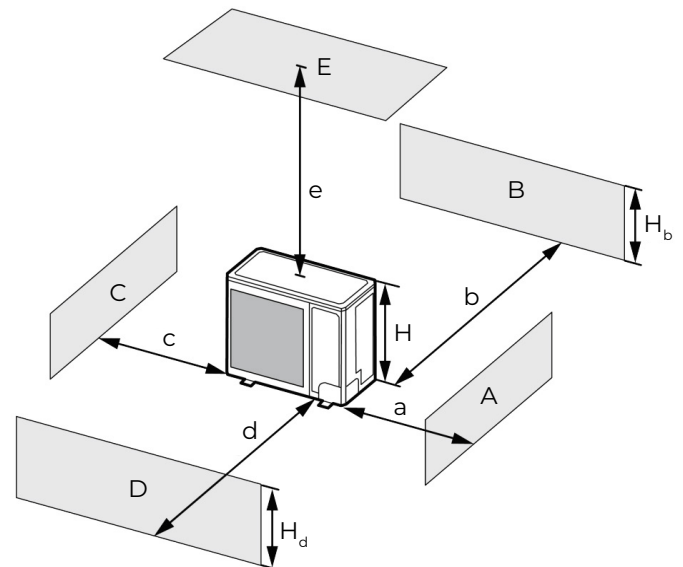
## OUTDOOR UNIT

Minimum clearance

**NOTE:**  
Install the Outdoor Unit **2 Inches** Above the Expected Snow Line

1. When one outdoor unit is to be installed.

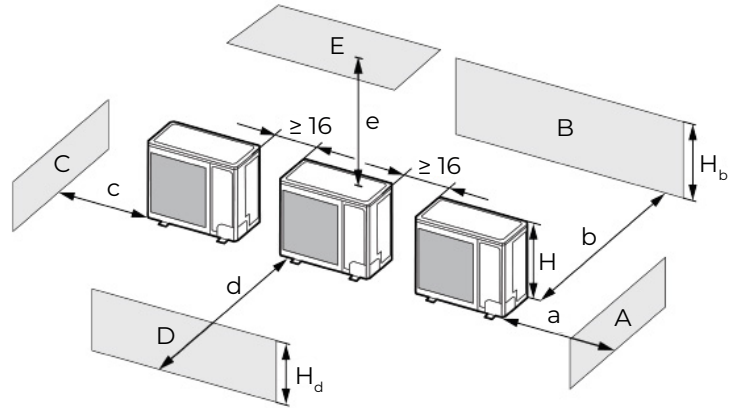
A - E	$H_b$ $H_d$ $H$		(in)				
			a	b	c	d	e
B	-	-	-	$\geq 4$	-	-	-
A, B, C	-	-	$\geq 12$	$\geq 4$	$\geq 4$	-	-
B, E	-	-	-	$\geq 4$	-	-	$\geq 40$
A, B, C, E	-	-	$\geq 12$	$\geq 6$	$\geq 6$	-	$\geq 40$
D	-	-	-	-	-	$\geq 40$	-
D, E	-	-	-	-	-	$\geq 40$	$\geq 40$
B, D	$H_b < H_d$	$H_d < H$	-	$\geq 4$	-	$\geq 40$	-
	$H_b > H_d$	$H_d > H$	-	$\geq 4$	-	$\geq 40$	-
B, D, E	$H_b < H_d$	$H_b \leq 1/2H$	-	$\geq 10$	-	$\geq 80$	$\geq 40$
		$1/2H < H_b \leq H$	-	$\geq 10$	-	$\geq 80$	$\geq 40$
	$H_b > H$	Prohibited					
	$H_b > H_d$	$H_d \leq 1/2H$	-	$\geq 4$	-	$\geq 80$	$\geq 40$
		$1/2H < H_d \leq H$	-	$\geq 8$	-	$\geq 80$	$\geq 40$
$H_d > H$	Prohibited						



# CLEARANCES

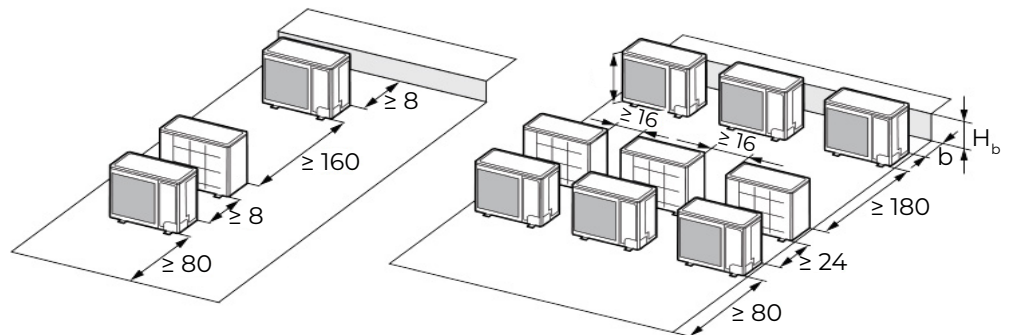
2. When two or more outdoor units are to be installed side by side.

A - E	$H_b$ $H_d$ $H$		(in)				
			a	b	c	d	e
A, B, C	-	-	$\geq 12$	$\geq 12$	$\geq 40$	-	-
A, B, C, E	-	-	$\geq 12$	$\geq 12$	$\geq 40$	-	$\geq 40$
D	-	-	-	-	-	$\geq 80$	-
D, E	-	-	-	-	-	$\geq 80$	$\geq 40$
B, D	$H_b < H_d$	$H_d > H$	-	$\geq 12$	-	$\geq 80$	-
		$H_d \leq 1/2H$	-	$\geq 10$	-	$\geq 80$	-
	$H_b > H_d$	$1/2H < H_d \leq H$	-	$\geq 12$	-	$\geq 100$	
B, D, E	$H_b < H_d$	$H_b \leq 1/2H$	-	$\geq 12$	-	$\geq 80$	$\geq 40$
		$1/2H < H_b \leq H$	-	$\geq 12$	-	$\geq 100$	$\geq 40$
		$H_b > H$	Prohibited				
	$H_b > H_d$	$H_d \leq 1/2H$	-	$\geq 10$	-	$\geq 100$	$\geq 40$
		$1/2H < H_d \leq H$	-	$\geq 12$	-	$\geq 100$	$\geq 40$
		$H_d > H$	Prohibited				

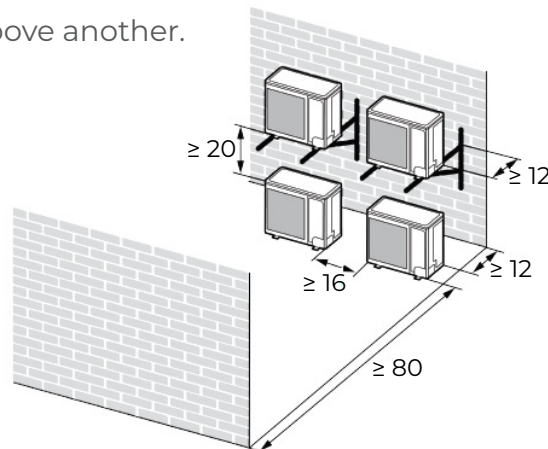


3. When outdoor units are installed in rows.

$H_b$ $H_d$	(in)
$H_b \leq 1/2H$	$b \leq 10$
$1/2H < H_b \leq H$	$b \leq 12$
$H_b > H_d$	Prohibited



4. When outdoor units are installed one above another.



Specifications are subject to change without notice. Manufacturer reserves the right to discontinue or modify specifications or designs without notice or without incurring obligations. All Rights reserved.

[BOREALHEATPUMPS.COM](http://BOREALHEATPUMPS.COM)