

## SUBMITTAL DATA

ARX30HPJ1R32IA / ARXE30HPJ1R32OA  
30000 BTU/H Unitary Heat Pump Split System

Job Name

Purchaser

Submitted to

Unit Designation

Location

Date

Engineer

For

Schedule No.



ARX30HPJ1R32IA



ARXE30HPJ1R32OA



WK-010WC1

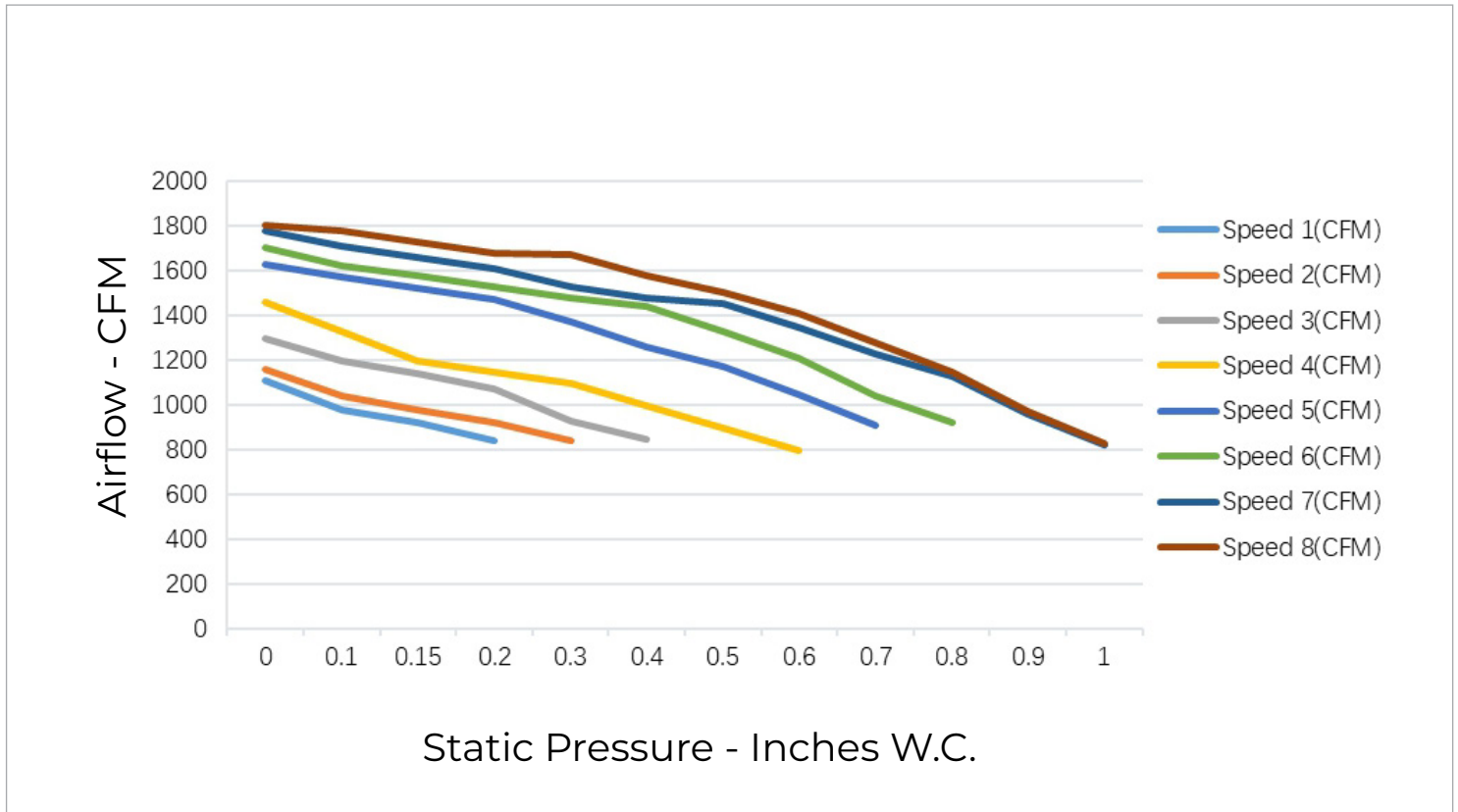
## GENERAL FEATURES

- AHRI Certificate:
- High Efficiency DC Inverter Technology
- Zero Lot Line Design
- Operation Range: 5°F ~ 118°F
- New R32 Refrigerant
- WK-010WC1 Programmable Wired Controller Included
- Multi-Position Air Handler
- RS485 Communication and Universal 24V Control
- Coil (Outdoor) Copper Tube/Aluminum Fin with Anti-Corrosion Coil Coating (Gold Colored Fin - 1500Hr Salt Spray Rating)
- Coil (Indoor) Copper Tube/Aluminum Fin with Anti-Corrosion Coil Coating (Blue Colored Fin - 500Hr Salt Spray Rating)

# SPECIFICATIONS, FEATURES & FUNCTION SUMMARY

SPECIFICATIONS		ARX30HPJ1R32IA / ARXE30HPJ1R32OA		FEATURES & FUNCTIONS SUMMARY	
System Type		HEAT PUMP		Compressor	Inverter
<b>SYSTEM PERFORMANCE</b>					
Cooling Capacity	Min - Max	Btu/h	14,000 - 30,800		
	Rated Capacity @95°F	Btu/h	28,000		
Heating Capacity	Min - Max	Btu/h	14,000 - 31,000		
	Rated Capacity @47°F	Btu/h	28,000		
	Rated Capacity @17°F	Btu/h	23,000		
	Rated Capacity @5°F	Btu/h	19,500		
SEER2				18.0	
EER2				11.7	
HSPF2				8.3	
COP @5°F				2.14	
Cooling Temperature Range	°F	5 - 118			
Heating Temperature Range	°F	5 - 75			
Refrigerant Type		R32			
<b>INDOOR UNIT</b>		<b>ARX30HPJ1R32IA</b>			
Power Supply	VAC	208-230V / 1Ph / 60 Hz			
Sound Pressure Level	dB(A)	51			
Control Voltage	VAC	24			
MOCP	A	15			
MCA	A	5.3			
Electric Heater (Optional)	kW	5, 6, 9, 10, 12			
Air Flow	CFM	760			
External Static Pressure (Up to)	In W.c.	1.0			
Dehumidification	pt/hr	4.95			
Drain Piping	in	Φ1×0.05			
External Dimensions (W x D x H)	in	18-1/8 × 21-1/4 × 43-1/2			
Package Dimension (L x W x H)	in	20-5/8 × 26 × 45-5/8			
Net Weight	lbs	135.6			
Gross Weight	lbs	144.4			
<b>OUTDOOR UNIT</b>		<b>ARXE30HPJ1R32OA</b>			
Power Supply	VAC	208-230V / 1Ph / 60 Hz			
Sound Pressure Level	dB(A)	58			
Control Voltage	VAC	24			
Rated Current Cooling	A	17.5			
Rated Current Heating	A	11.5			
MOCP	A	25			
MCA	A	21.6			
Compressor Type		G20 / Double Cylinder / 1 - Stage Inverter			
External Dimensions (W x D x H)	in	36-1/4×14-9/16×29-3/8			
Package Dimension (L x W x H)	in	42-1/2 × 19 × 31-1/2			
Net Weight	lbs	113.5			
Gross Weight	lbs	122.4			
Refrigerant Charge - R32	oz	67.0			
Additional Charge	oz/ft	0.215			
<b>REFRIGERANT PIPING</b>					
Line Set Size (Liquid - Gas) - Flared Connections	in	3/8 - 3/4			
Pre-Charge Length	ft	31			
Pipe Length (Min - Max)	ft	10 - 98			
Max. Pipe Elevation	ft	49			
				Ultra Low Frequency Torque Control	Yes
				Power Factor Correction	Yes
				Compressor Type	Rotary
				Electronic Expansion Valve (EEV)	Yes
				Basepan With Electric Heater	Yes
				Compressor With Electric Heater	Yes
				Fin Coating (Outdoor - Golden & Indoor - Blue)	Acrylic Resin
				Intelligent Defrosting	Yes
				Intelligent Preheating	Yes
				Low Voltage Startup	Yes
				Memory/Power Failure Recovery	Yes
				Self Diagnosis	Yes
				Low Ambient Cooling	No
				24VAC Thermostat Compatible	Yes
				Indoor Fan Type	Centrifugal
				Multi Fan Speeds	5
				Auxiliary Electrical Heater	Optional
				A2L Leak Detection Sensor (Indoor)	Factory Installed

## FAN PERFORMANCE



**NOTE:**

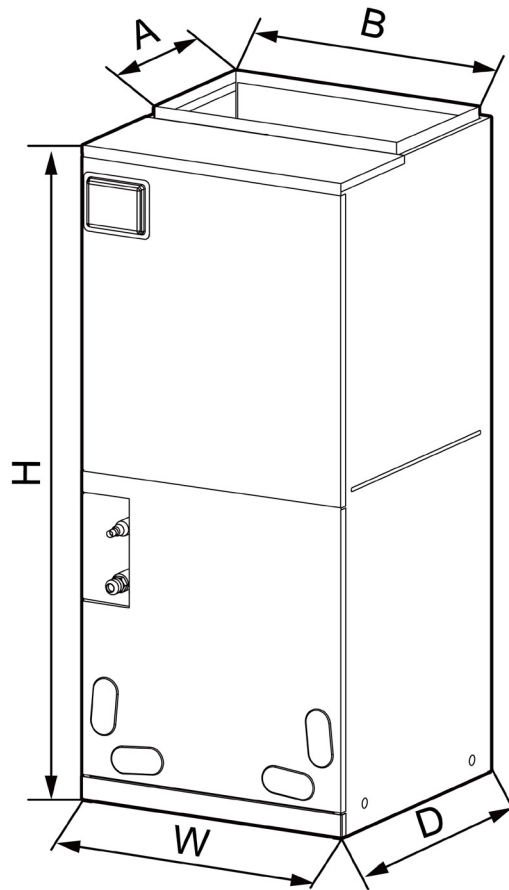
1. Above chart CFM ratings are based on dry coil with factory filter installed.
2. For wet coil CFM ratings, multiply the CFM by 0.96 correction factor.

## DIMENSIONS

### INDOOR UNIT

Unit: inch

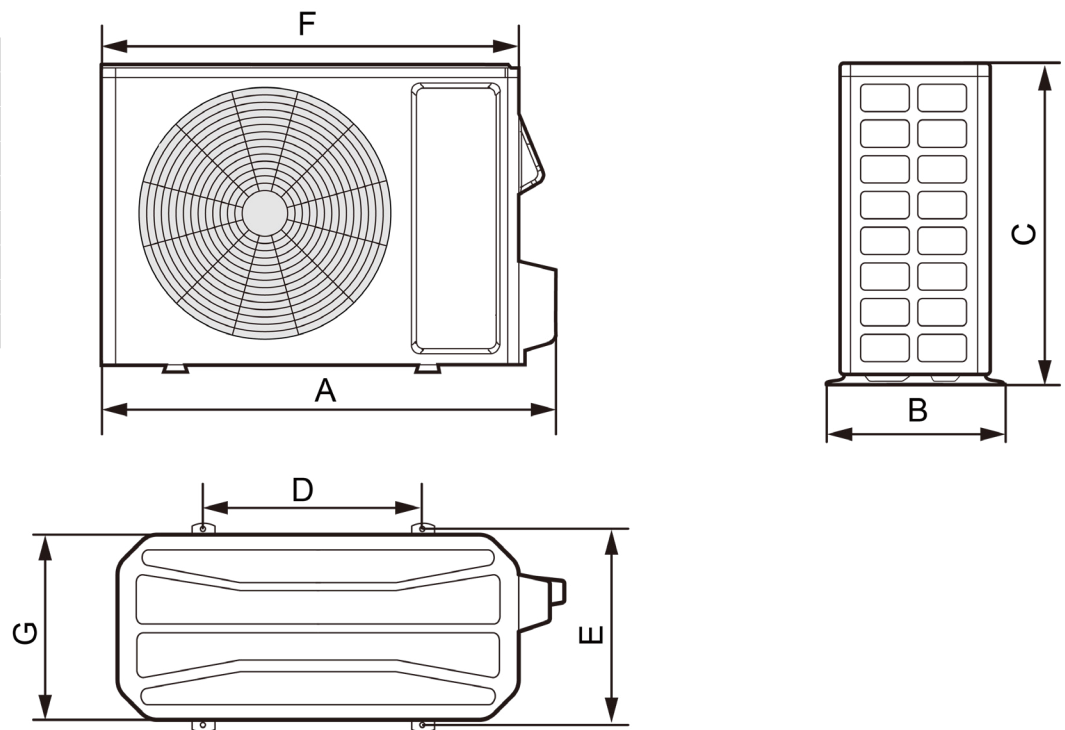
ARX30HPJ1R321A	
DIMENSIONS	
A	11-5/8
B	16-3/4
H	43-1/2
W	18-1/8
D	21-1/4



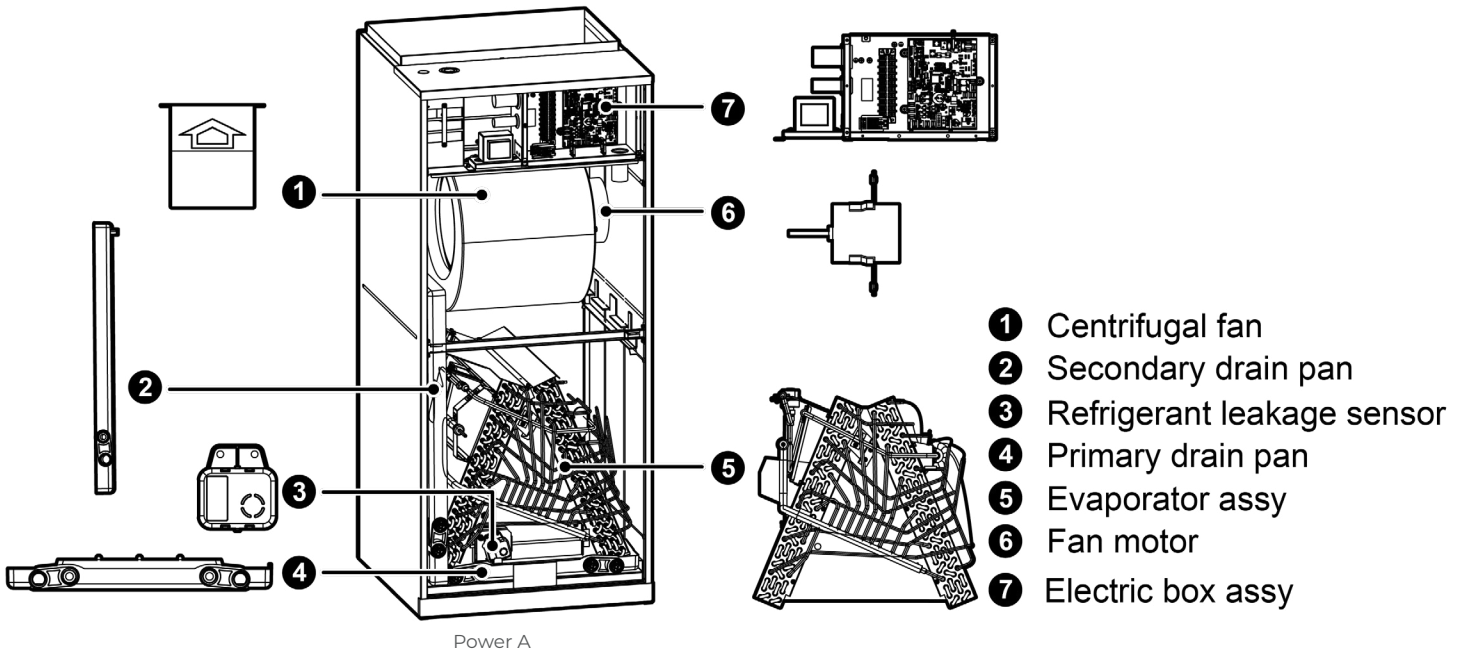
### OUTDOOR UNIT

Unit: inch

ARXE30HPJ1R320A	
DIMENSIONS	
A	39-3/8
B	16-13/16
C	29-3/8
D	24
E	15-9/16
F	36-1/4
G	14-9/16



# ACCESSORY HEATER AND GENERAL INFORMATION



MODEL	Heat Kit Model	Part Number	Electric Heat (kW)		Min. Circuit Ampacity (A)		Max Fuse or Breaker (A)	
			208V	230V	208V	230V	208V	230V
ARX30HPJ1R321A	320004060249	FLEXA2LHTR05KWD	3.74	4.6	28	29.9	30	35
	320004060250	FLEXA2LHTR10KWD	7.49	9.2	50	55	60	60

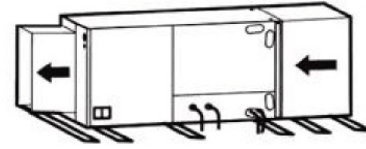
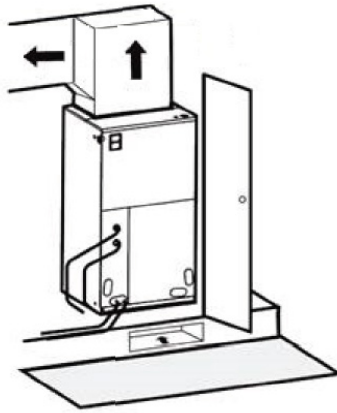
MODEL	Heat Kit Model	Part Number	Electric Heat (kW)		Min. Circuit Ampacity (A)				Max Fuse or Breaker (A)				
			208V	230V	208V		230V		208V		230V		
ARX30HPJ1R321A	One Mains Supply												
	320004060223	FLEXA2LHTR06	3.74	4.6	31	33	35	35					
	Two Mains Supply												
						Power A	Power B	Power A	Power B	Power A	Power B	Power A	Power B
	320004060224	FLEXA2LHTR09	6.03	7.36	32.7	13.8	35.2	15	35	15	40	20	
320004060225	FLEXA2LHTR12	7.49	9.2	32.7	27.5	35.2	30	35	30	40	35		

# CLEARANCES

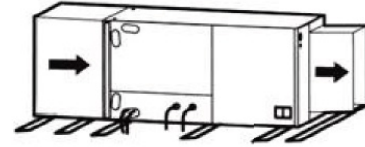
## INDOOR UNIT

Minimum clearance

FRONT	> 24
-------	------



Horizontal Left Configuration - No Modification Needed



Horizontal Right Configuration - Must Relocate Drain Pan

**NOTE:**

Allow a minimum of 24" in front of the unit for service clearance. When installing in an area directly over a finished ceiling (such as an attic), an emergency drain pan is required directly under the unit. **See local and state codes for requirements.** When installing this unit in an area that may become wet, elevate the unit with a sturdy, non-porous material. In installations that may lead to physical damage (i.e. a garage) it is advised to install a protective barrier to prevent such damage. This air handler is designed for a complete supply and return ductwork system.

## OUTDOOR UNIT

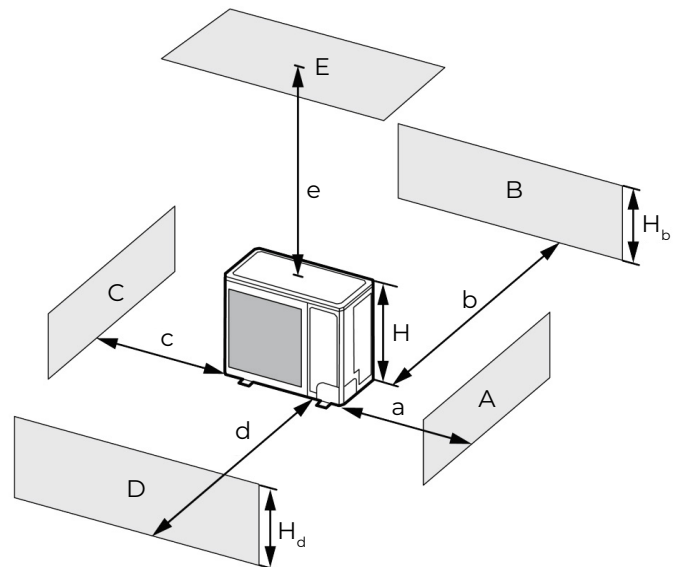
Minimum clearance

**NOTE:**

Install the Outdoor Unit **2 Inches** Above the Expected Snow Line

1. When one outdoor unit is to be installed.

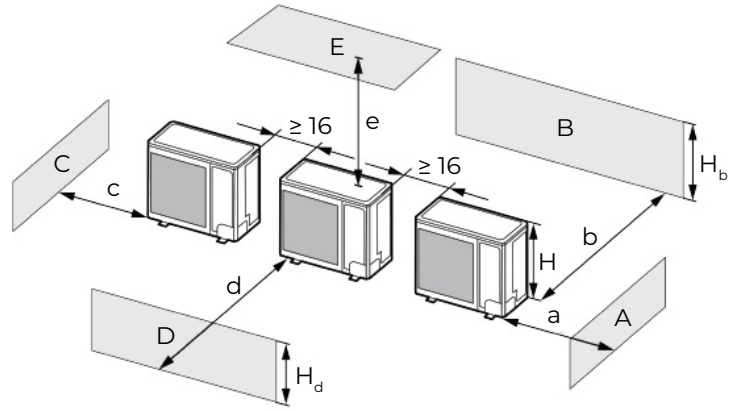
A - E	$H_b$ $H_d$ H		(in)				
			a	b	c	d	e
B	-	-	-	$\geq 4$	-	-	-
A, B, C	-	-	$\geq 12$	$\geq 4$	$\geq 4$	-	-
B, E	-	-	-	$\geq 4$	-	-	$\geq 40$
A, B, C, E	-	-	$\geq 12$	$\geq 6$	$\geq 6$	-	$\geq 40$
D	-	-	-	-	-	$\geq 40$	-
D, E	-	-	-	-	-	$\geq 40$	$\geq 40$
B, D	$H_b < H_d$	$H_d < H$	-	$\geq 4$	-	$\geq 40$	-
	$H_b > H_d$	$H_d > H$	-	$\geq 4$	-	$\geq 40$	-
B, D, E	$H_b < H_d$	$H_b \leq 1/2H$	-	$\geq 10$	-	$\geq 80$	$\geq 40$
		$1/2H < H_b \leq H$	-	$\geq 10$	-	$\geq 80$	$\geq 40$
	$H_b > H$	Prohibited					
	$H_b > H_d$	$H_d \leq 1/2H$	-	$\geq 4$	-	$\geq 80$	$\geq 40$
		$1/2H < H_d \leq H$	-	$\geq 8$	-	$\geq 80$	$\geq 40$
$H_d > H$	Prohibited						



# CLEARANCES

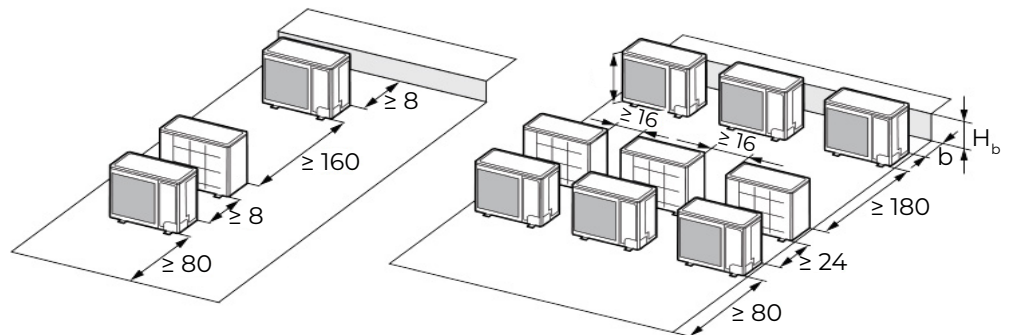
2. When two or more outdoor units are to be installed side by side.

A - E	$H_b$ $H_d$ H		(in)				
			a	b	c	d	e
A, B, C	-	-	$\geq 12$	$\geq 12$	$\geq 40$	-	-
A, B, C, E	-	-	$\geq 12$	$\geq 12$	$\geq 40$	-	$\geq 40$
D	-	-	-	-	-	$\geq 80$	-
D, E	-	-	-	-	-	$\geq 80$	$\geq 40$
B, D	$H_b < H_d$	$H_d > H$	-	$\geq 12$	-	$\geq 80$	-
		$H_d \leq 1/2H$	-	$\geq 10$	-	$\geq 80$	-
	$H_b > H_d$	$1/2H < H_d \leq H$	-	$\geq 12$	-	$\geq 100$	
B, D, E	$H_b < H_d$	$H_b \leq 1/2H$	-	$\geq 12$	-	$\geq 80$	$\geq 40$
		$1/2H < H_b \leq H$	-	$\geq 12$	-	$\geq 100$	$\geq 40$
		$H_b > H$	Prohibited				
	$H_b > H_d$	$H_d \leq 1/2H$	-	$\geq 10$	-	$\geq 100$	$\geq 40$
		$1/2H < H_d \leq H$	-	$\geq 12$	-	$\geq 100$	$\geq 40$
		$H_d > H$	Prohibited				

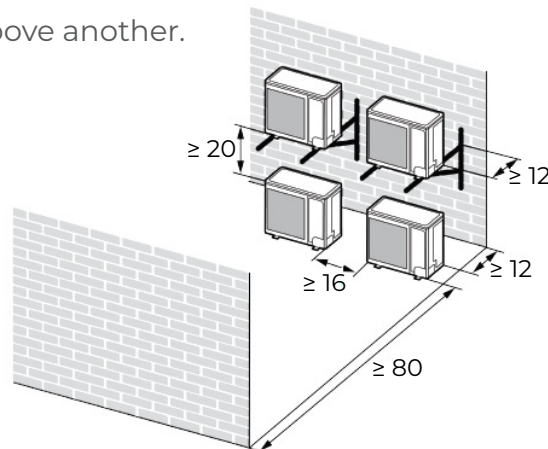


3. When outdoor units are installed in rows.

$H_b$ $H_d$	(in)
$H_b \leq 1/2H$	$b \leq 10$
$1/2H < H_b \leq H$	$b \leq 12$
$H_b > H_d$	Prohibited



4. When outdoor units are installed one above another.



Specifications are subject to change without notice. Manufacturer reserves the right to discontinue or modify specifications or designs without notice or without incurring obligations. All Rights reserved.