

SUBMITTAL DATA

ARX24HPJ1R32IA / ARX36HPJ1R32OA
24000 BTU/H Unitary Heat Pump Split System

Job Name

Purchaser

Submitted to

Unit Designation

Location

Date

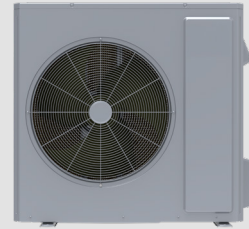
Engineer

For

Schedule No.



ARX24HPJ1R32IA



ARX36HPJ1R32OA



WK-010WC1

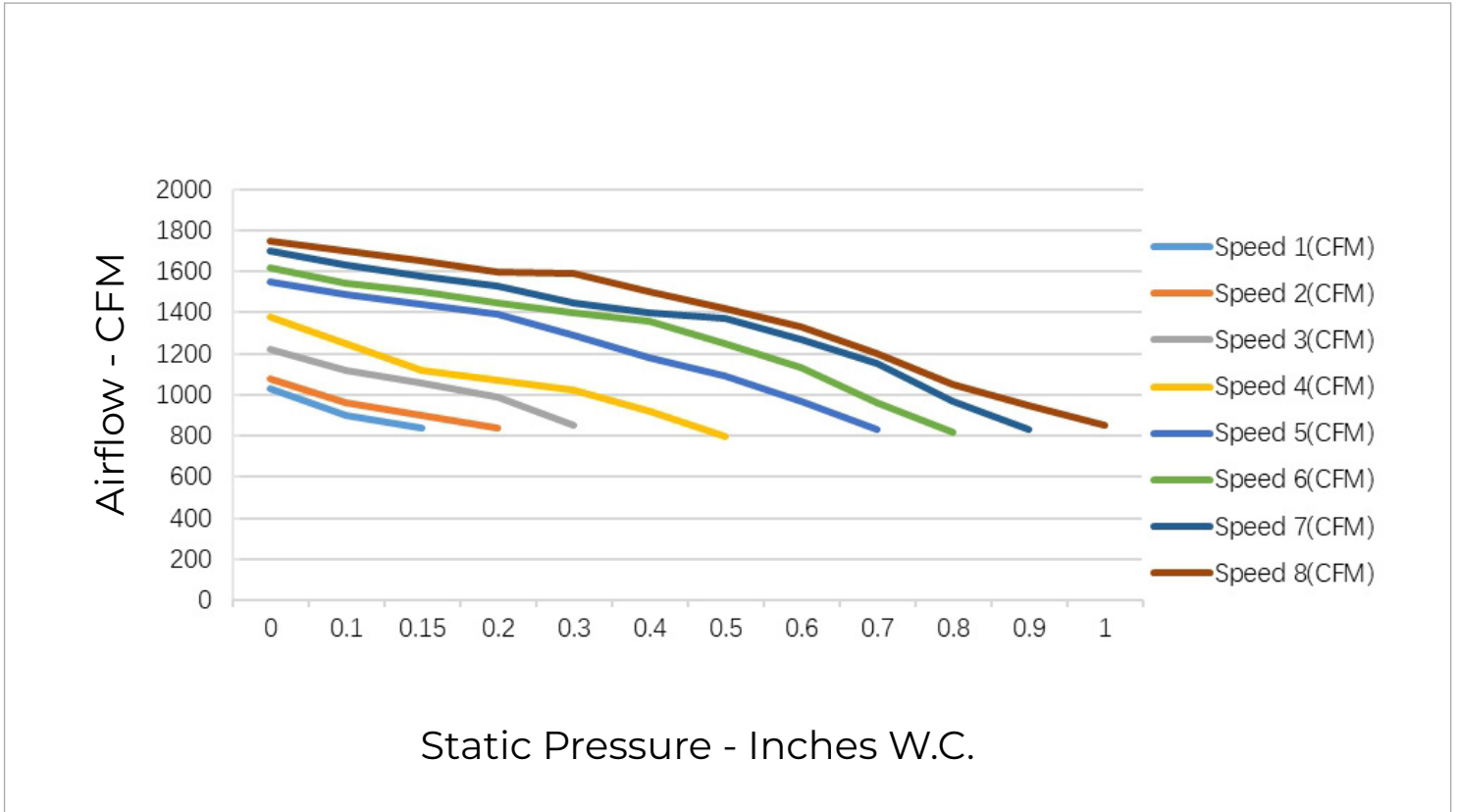
GENERAL FEATURES

- AHRI Certificate:
- High Efficiency DC Inverter Technology
- 24VAC Thermostat Compatible
- Zero Lot Line Design
- New R32 Refrigerant
- WK-010WC1 Programmable Wired Controller Included
- Designed for New Construction or Replacement Market
- Low Ambient Cooling down to -15°C (5°F)
- Low Ambient Heating down to -30°C (-22°F)
- Coil (Outdoor) Copper Tube/Aluminum Fin with Anti-Corrosion Coil Coating (Gold Colored Fin - 1500Hr Salt Spray Rating)
- Coil (Indoor) Copper Tube/Aluminum Fin with Anti-Corrosion Coil Coating (Blue Colored Fin - 500Hr Salt Spray Rating)

SPECIFICATIONS, FEATURES & FUNCTION SUMMARY

SYSTEM TYPE					FEATURES & FUNCTIONS SUMMARY	
Outdoor Model			ARX36HPJ1R320A		Ultra Low Frequency Torque Control	Yes
Indoor Model			ARX24HPJ1R321A		Power Factor Correction	Yes
SYSTEM PERFORMANCE§					Electronic Expansion Valve (EEV)	Yes
Cooling Capacity	Min - Max	Btu/h	17,952 - 26,400		Basepan With Electric Heater	Yes
	Rated Capacity @95°F	Btu/h	24,000		Compressor With Electric Heater	Yes
Heating Capacity	Min - Max	Btu/h	17,287 - 27,000		Fin Coating (Outdoor - Golden & Indoor - Blue)	Acrylic Resin
	Rated Capacity @47°F	Btu/h	25,000		Intelligent Defrosting	Yes
	Rated Capacity @17°F	Btu/h	20,600		Intelligent Preheating	Yes
	Rated Capacity @5°F	Btu/h	24,000		Low Voltage Startup	Yes
SEER2			18.0		Memory/Power Failure Recovery	Yes
EER2			12.5		Self Diagnosis	Yes
HSPF2			10.0		Low Ambient Cooling	Yes
COP @5°F			2.0		24VAC Thermostat Compatible	Yes
Cooling Temperature Range		°F	5 - 129		Indoor Fan Type	Centrifugal
Heating Temperature Range		°F	-22 - 75		Multi Fan Speeds	5 Speeds
Refrigerant Type			R32		Auxiliary Electrical Heater	Optional
INDOOR UNIT			ARX24HPJ1R321A		A2L Leak Detection Sensor (Indoor)	Factory Installed
Power Supply		VAC	208-230V / 1Ph / 60 Hz			
Sound Pressure Level		dB(A)	47			
Control Voltage		VAC	24			
MOCP		A	15			
MCA		A	4.7			
Electric Heater (Optional)		kW	5, 6, 10			
Air Flow		CFM	760			
External Static Pressure (Up to)		In W.c.	1.0			
Dehumidification		pt/hr	4.25			
Drain Piping		in	Φ1×0.05			
External Dimensions (W x D x H)		in	18-1/8 × 21-1/4 × 43-1/2			
Package Dimension (L x W x H)		in	20-5/8 × 26 × 45-5/8			
Net Weight		lbs	135.6			
Gross Weight		lbs	144.4			
OUTDOOR UNIT			ARX36HPJ1R320A			
Power Supply		VAC	208-230V / 1Ph / 60 Hz			
Sound Pressure Level		dB(A)	61			
Control Voltage		VAC	24			
Rated Current Cooling		A	14.6			
Rated Current Heating		A	19.2			
MOCP		A	30			
MCA		A	27.7			
Cmpressor Type		G20 / Double Cylinder / 2 - Stage Inverter				
External Dimensions (W x H x D)		in	39 × 37-13/16 × 14-9/16			
Package Dimension (W x H x D)		in	45-3/8 × 43-11/16 × 18-13/16			
Net Weight		lbs	187.4			
Gross Weight		lbs	211.6			
Refrigerant Charge - R32		oz	102.3			
Additional Charge		oz/ft	0.323			
REFRIGERANT PIPING						
Line Set Size (Liquid - Gas) - Flared Connections		in	3/8 - 3/4			
Pre-Charge Length		ft	31			
Pipe Length (Min - Max)		ft	10 - 164			
Max. Pipe Elevation		ft	98			

FAN PERFORMANCE



NOTE:

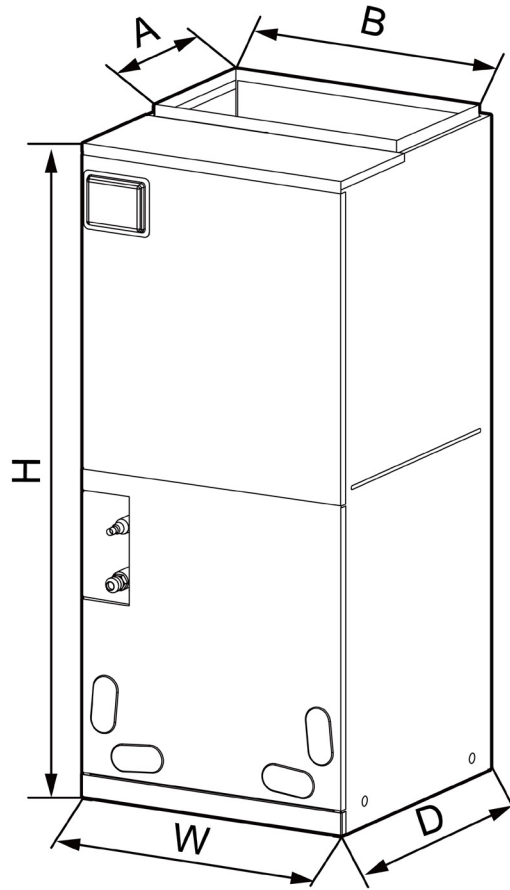
1. Above chart CFM ratings are based on dry coil with factory filter installed.
2. For wet coil CFM ratings, multiply the CFM by 0.96 correction factor.

DIMENSIONS

INDOOR UNIT

Unit: inch

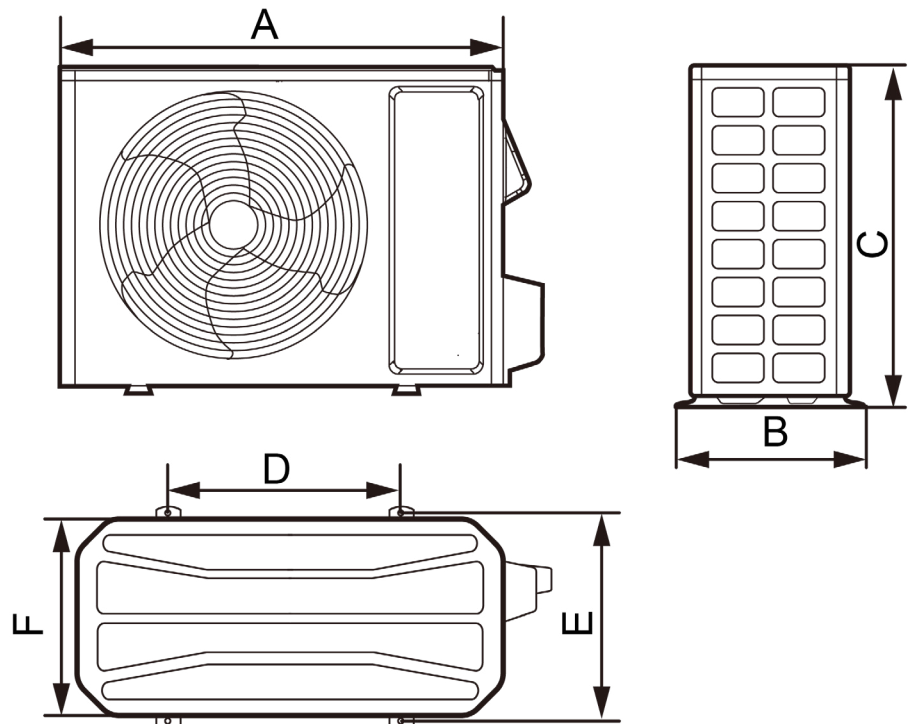
ARX24HPJ1R321A	
DIMENSIONS	
A	11-5/8
B	16-3/4
H	43-1/2
W	18-1/8
D	21-1/4



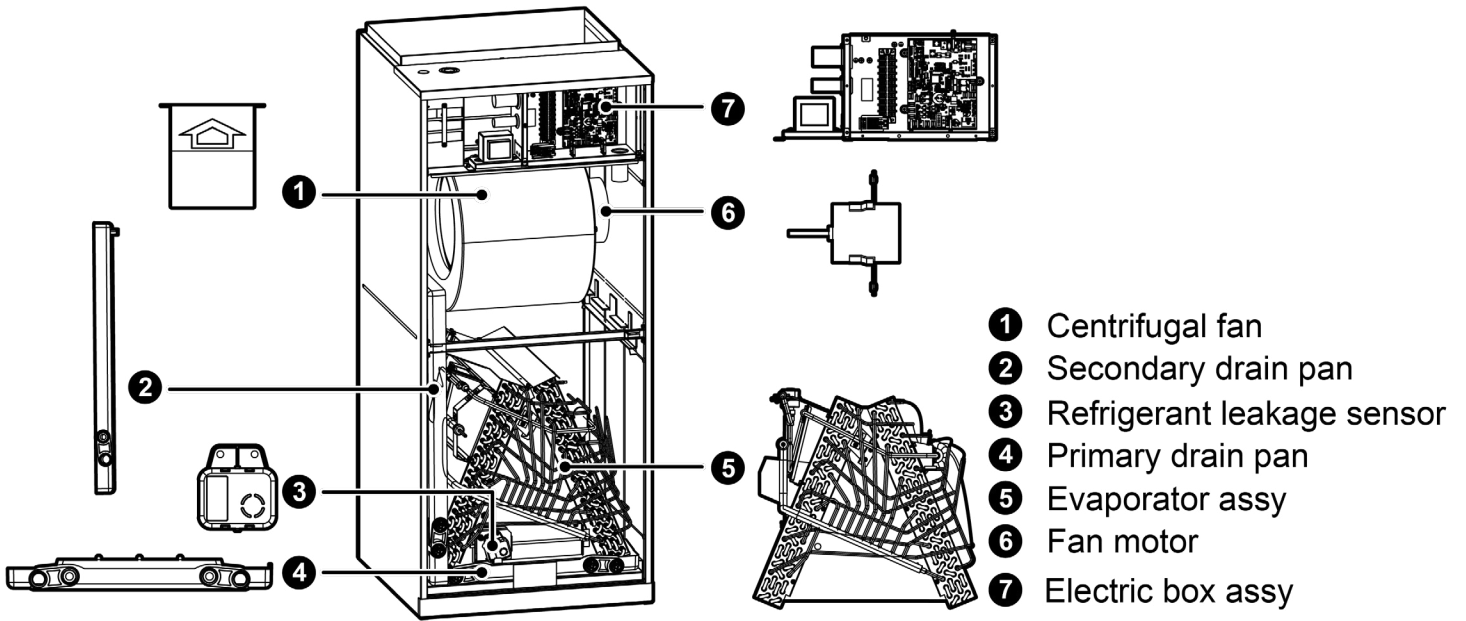
OUTDOOR UNIT

Unit: inch

ARX36HPJ1R320A	
DIMENSIONS	
A	39
B	16-13/16
C	37-13/16
D	29-3/4
E	15-9/16
F	14-9/16



ACCESSORY HEATER AND GENERAL INFORMATION



MODEL	Heat Kit Model	Part Number	Electric Heat (kW)		Min. Circuit Ampacity (A)		Max Fuse or Breaker (A)	
			208V	230V	208V	230V	208V	230V
ARX24HPJIR32IA	320004060249	FLEXA2LHTR05KWD	3.74	4.6	28	29.9	30	35
	320004060250	FLEXA2LHTR10KWD	7.49	9.2	50	55	60	60

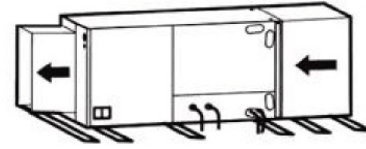
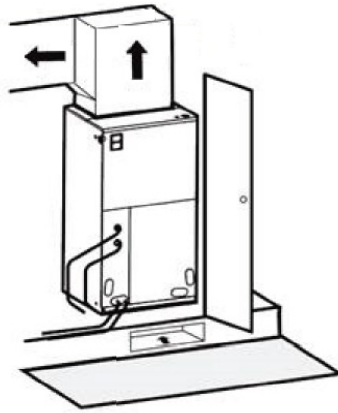
MODEL	Heat Kit Model	Part Number	Electric Heat (kW)		Min. Circuit Ampacity (A)		Max Fuse or Breaker (A)	
			208V	230V	208V	230V	208V	230V
ARX24HPJIR32IA	320004060223	FLEXA2LHTR06	4.5	5.5	32	34.5	35	35

CLEARANCES

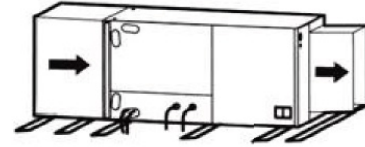
INDOOR UNIT

Minimum clearance

FRONT > 24



Horizontal Left Configuration - No Modification Needed



Horizontal Right Configuration - Must Relocate Drain Pan

NOTE:

Allow a minimum of 24" in front of the unit for service clearance. When installing in an area directly over a finished ceiling (such as an attic), an emergency drain pan is required directly under the unit. **See local and state codes for requirements.** When installing this unit in an area that may become wet, elevate the unit with a sturdy, non-porous material. In installations that may lead to physical damage (i.e. a garage) it is advised to install a protective barrier to prevent such damage. This air handler is designed for a complete supply and return ductwork system.

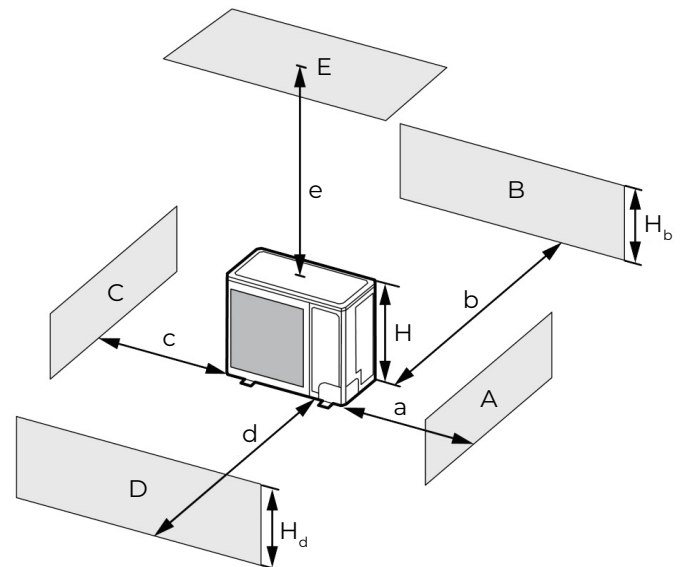
OUTDOOR UNIT

Minimum clearance

NOTE:
Install the Outdoor Unit **2 Inches** Above the Expected Snow Line

1. When one outdoor unit is to be installed.

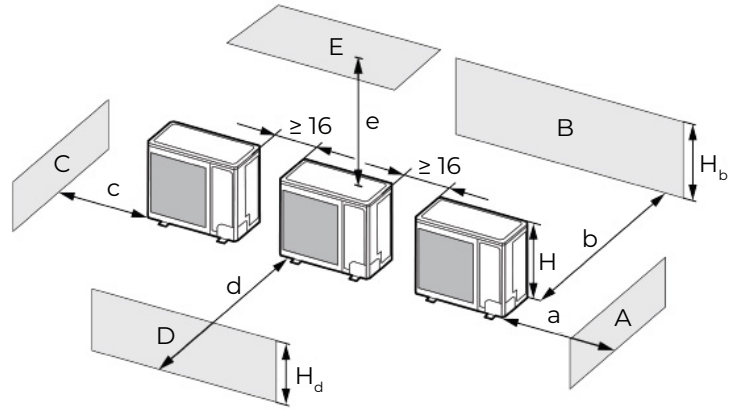
A - E	H_b H_d H		(in)				
			a	b	c	d	e
B	-	-	-	≥ 4	-	-	-
A, B, C	-	-	≥ 12	≥ 4	≥ 4	-	-
B, E	-	-	-	≥ 4	-	-	≥ 40
A, B, C, E	-	-	≥ 12	≥ 6	≥ 6	-	≥ 40
D	-	-	-	-	-	≥ 40	-
D, E	-	-	-	-	-	≥ 40	≥ 40
B, D	$H_b < H_d$	$H_d < H$	-	≥ 4	-	≥ 40	-
	$H_b > H_d$	$H_d > H$	-	≥ 4	-	≥ 40	-
B, D, E	-	$H_b \leq 1/2H$	-	≥ 10	-	≥ 80	≥ 40
	$H_b < H_d$	$1/2H < H_b \leq H$	-	≥ 10	-	≥ 80	≥ 40
	-	$H_b > H$	Prohibited				
	$H_b > H_d$	$H_d \leq 1/2H$	-	≥ 4	-	≥ 80	≥ 40
	$H_b > H_d$	$1/2H < H_d \leq H$	-	≥ 8	-	≥ 80	≥ 40
-	$H_d > H$	Prohibited					



CLEARANCES

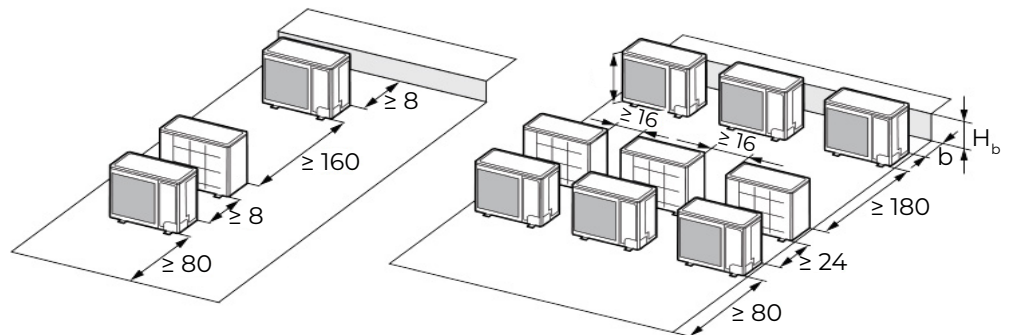
2. When two or more outdoor units are to be installed side by side.

A - E	H_b H_d H		(in)				
			a	b	c	d	e
A, B, C	-	-	≥ 12	≥ 12	≥ 40	-	-
A, B, C, E	-	-	≥ 12	≥ 12	≥ 40	-	≥ 40
D	-	-	-	-	-	≥ 80	-
D, E	-	-	-	-	-	≥ 80	≥ 40
B, D	$H_b < H_d$	$H_d > H$	-	≥ 12	-	≥ 80	-
	$H_b > H_d$	$1/2H < H_d \leq H$	-	≥ 10	-	≥ 80	-
B, D, E	$H_b > H_d$	$H_b \leq 1/2H$	-	≥ 12	-	≥ 80	≥ 40
		$1/2H < H_b \leq H$	-	≥ 12	-	≥ 100	≥ 40
	$H_b < H_d$	$H_b > H$	Prohibited				
		$H_d \leq 1/2H$	-	≥ 10	-	≥ 100	≥ 40
	$H_b > H_d$	$1/2H < H_d \leq H$	-	≥ 12	-	≥ 100	≥ 40
		$H_d > H$	Prohibited				

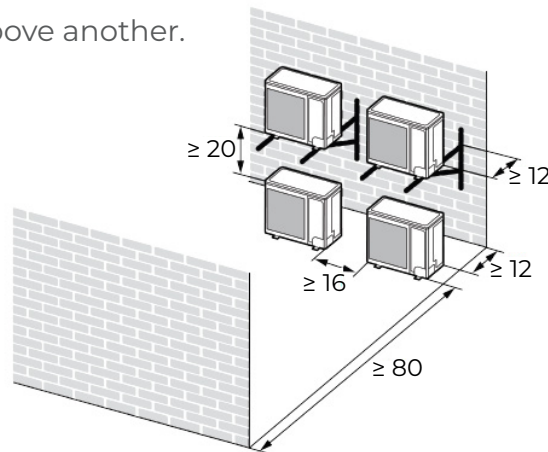


3. When outdoor units are installed in rows.

H_b H_d	(in)
$H_b \leq 1/2H$	$b \leq 10$
$1/2H < H_b \leq H$	$b \leq 12$
$H_b > H_d$	Prohibited



4. When outdoor units are installed one above another.



Specifications are subject to change without notice. Manufacturer reserves the right to discontinue or modify specifications or designs without notice or without incurring obligations. All Rights reserved.